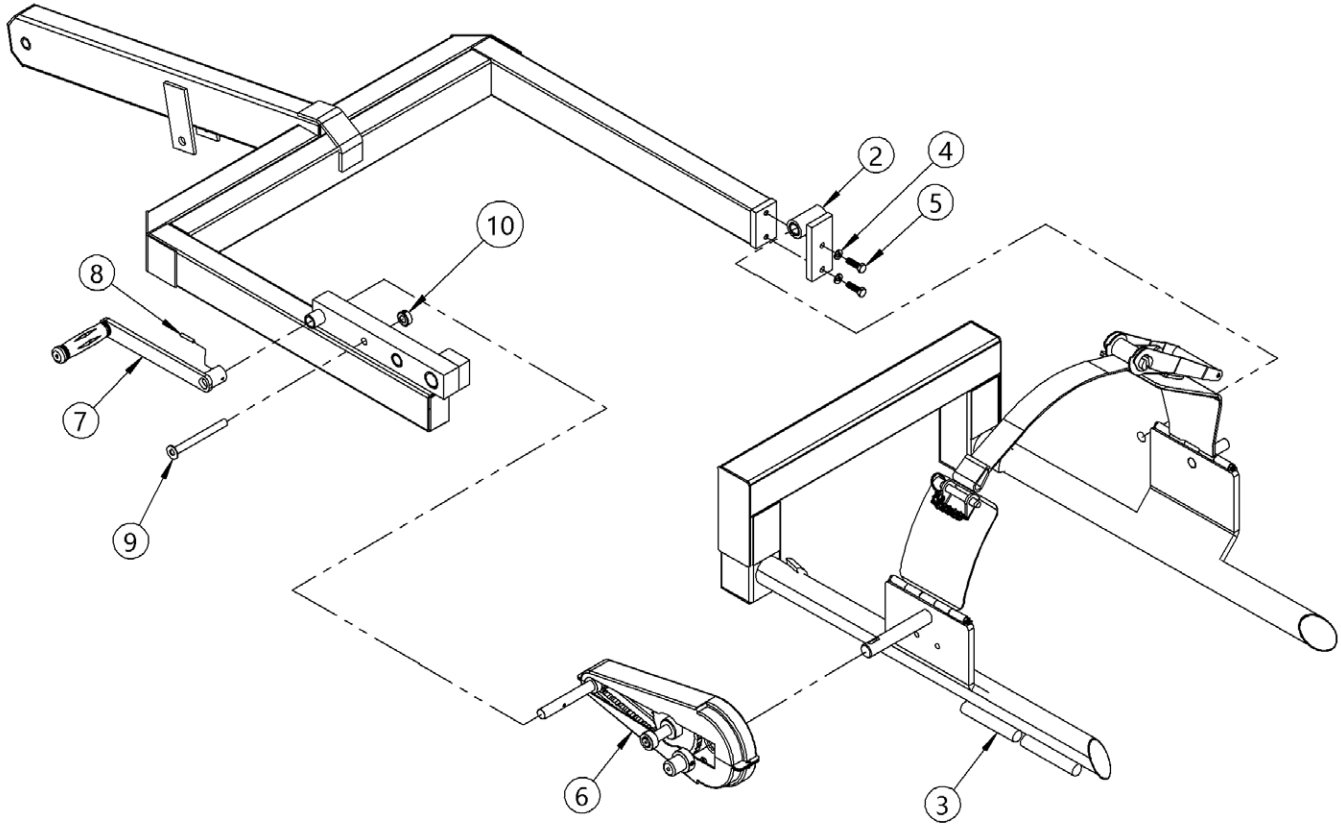


**Parts Diagram for Manual Tilt Overhead Assembly with Spark Resistant Parts used on Morse 405 Series Omni-Lift Karriers Serial Number 0617 to \_\_\_\_ (MMYY)**



ITEM NO.	PART NUMBER	DESCRIPTION	QTY.
2	3849B-P	BEARING ASM, SLIDING IDLER	1
3	6130M-P	SADDLE ASM, STRAP, 405M	1
4	1474-P	WASHER, 3/8 SPLIT LOCK	2
5	535-P	HHCS, 3/8-16 X 1-1/4 GR 5 ZINC	2
6	NOT SOLD SEPARATELY - SEE POWER TRAIN PARTS DIAGRAM		
7	5U-P	HAND CRANK, W/ SOCKET TUBE	1
8	64-P	ROLL PIN, 3/16 X 1-1/4	1
9	100SS-P	STOP PIN, HAND CRANK, 1/2", SS	1
10	1035SS-P	COLLAR, 1/2", SS	1