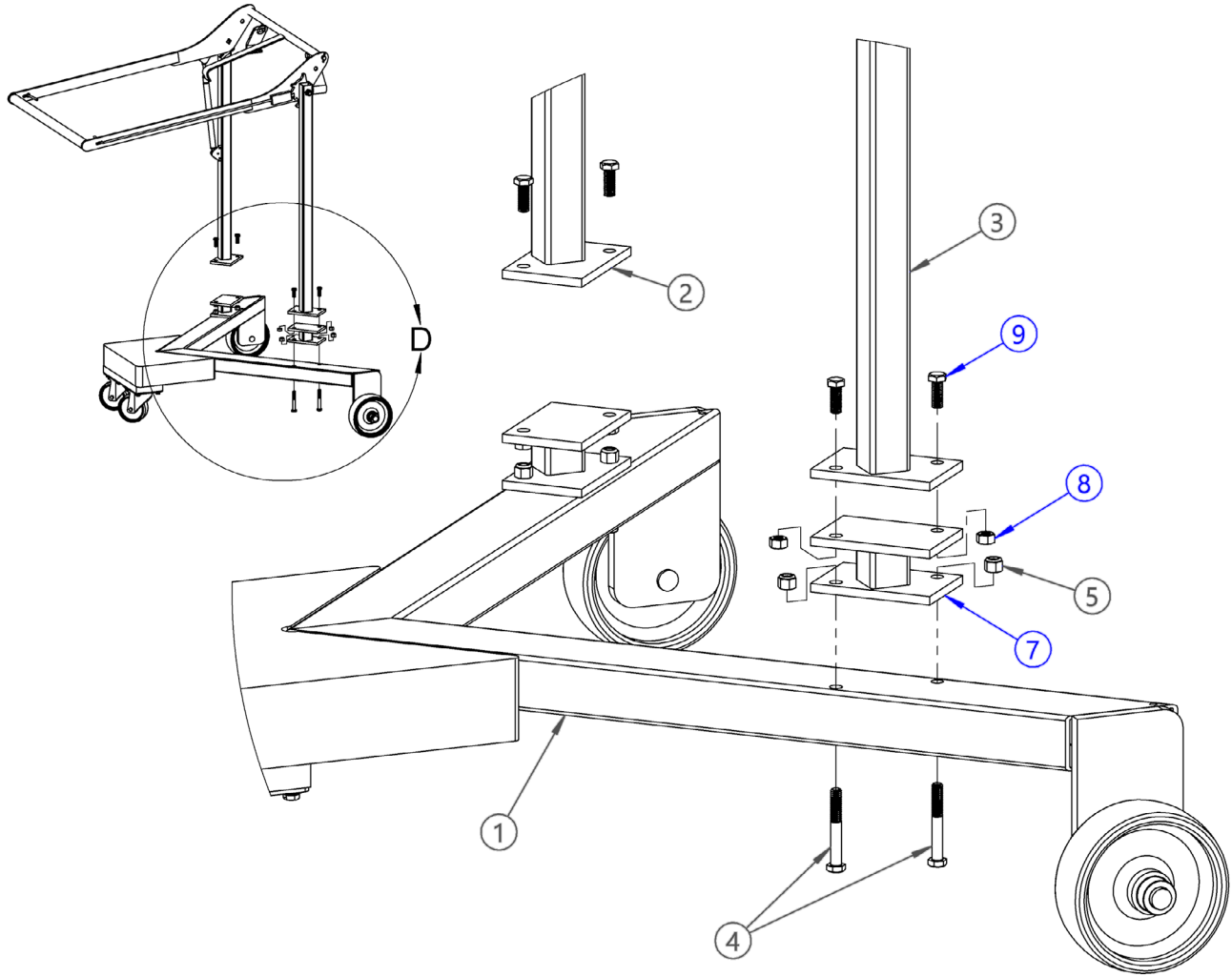


**2" Riser Kit for Morse 81 Series**

**Kit # 6465KIT-P**  
**Serial number 0620 to \_\_\_\_ (MMYY)**



ITEM NO.	PART NUMBER	DESCRIPTION	QTY.
1	5794-P	BASE W/ WHEELS CPT, 81	1
2	8110-P	STANCHION, LEFT W/ BRACKET 81	1
3	8111-P	STANCHION, RIGHT W/O BRAC, 81	1
4	1315-P	HHCS, 3/8-16 X 2-3/4 GR2	4
5	3981-P	NUT, 3/8-16 NYLON LOCK	4
6	6465KIT-P	SPACER KIT, 81, RAISE 2"	1
7*	6465-P	SPACER, 81, RAISE 2"	2
8*	1169-P	NUT, 3/8-16 REV HEX LOCK	4
9*	1572-P	HHCS, 3/8-16 X 1 GR2 ZINC	4

\* ONLY ITEMS 7, 8 & 9 ARE INCLUDED IN KIT 6465KIT-P



[morsedrum.com](http://morsedrum.com)



[service@morsedrum.com](mailto:service@morsedrum.com)

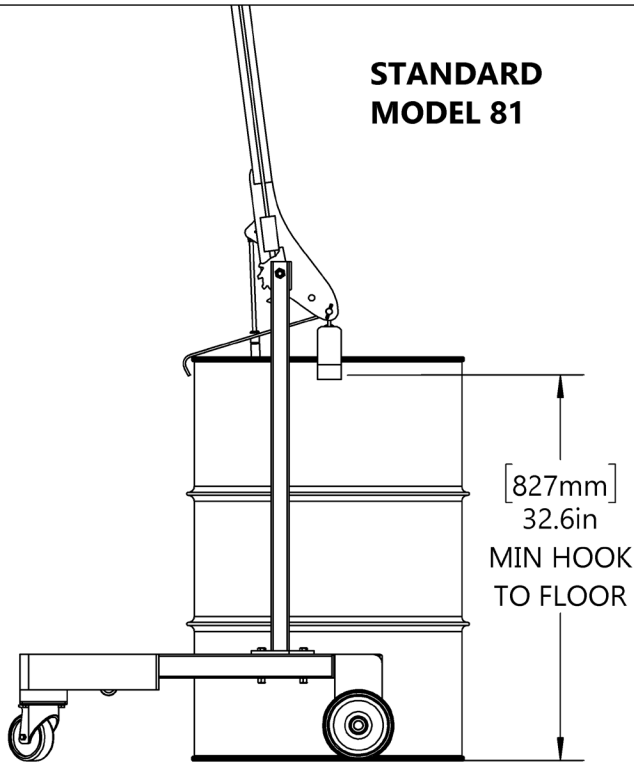


(315) 437-8475

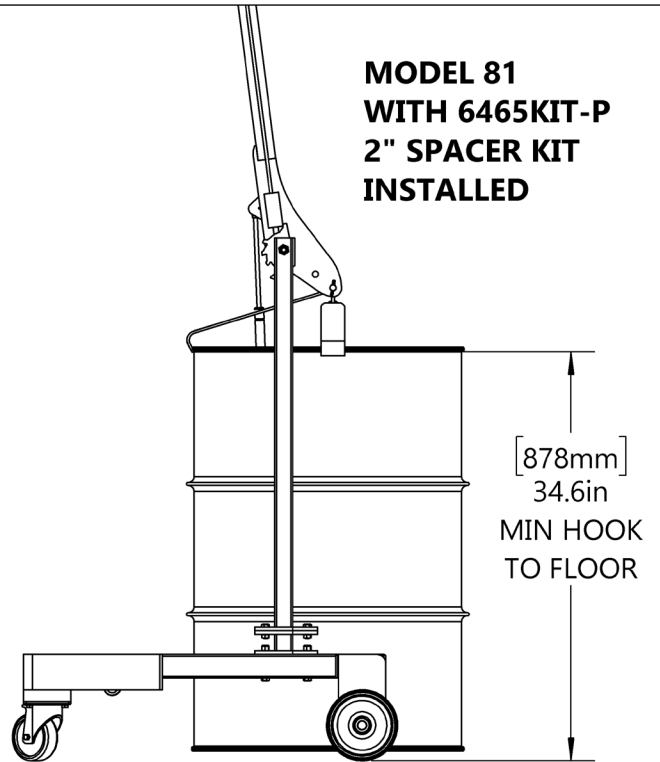


103 Kuhn Rd.  
Syracuse, NY, 13208 U.S.A.

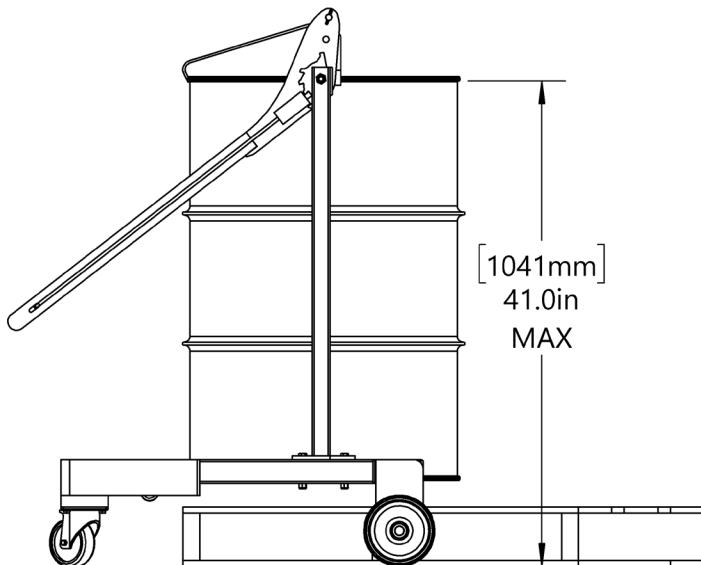
**STANDARD  
 MODEL 81**



**MODEL 81  
 WITH 6465KIT-P  
 2" SPACER KIT  
 INSTALLED**



[1041mm]  
 41.0in  
 MAX



[1092mm]  
 43.0in  
 MAX

