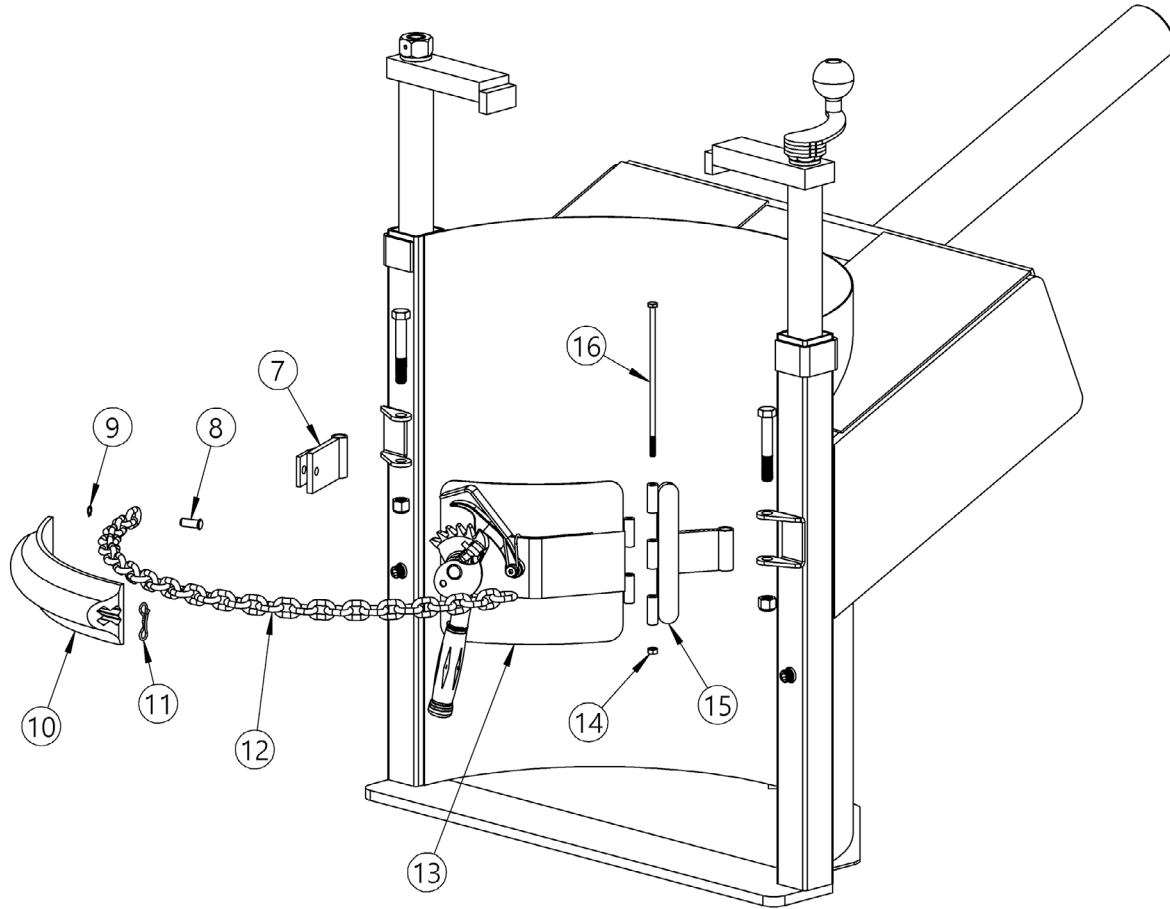


Cinch Chain Kit for customer to install on EXISTING Drum Holder 5801-P used on Morse 309, 310 and 311 Series Drum Tumblers with Serial Number 276434 to _____ Replaces standard Web Strap around drum.

Order as Factory Installed OPTION 6637i-P on NEW Morse 309, 310 or 311 Series Drum Tumbler



ITEM NO.	PART NUMBER	DESCRIPTION	QTY.
7	6638-P	CONNECTOR, CHAIN, 310	1
8	4172SP-P	PIN, S.P., CINCH CHAIN, 5000-P	1
9	4744-P	SNAP RING, EXTERNAL, 3/8"	1
10	4414-P	COVER, CINCH CHAIN, FLEX PVC	1
11	4710-P	PIN, BOW TIE COTTER, MOR	1
12	5017-P	CHAIN, CINCH, 9/32, 38 LINK	1
13	727A-P	RATCHET PLATE CPT W/ TAB 1/4"	1
14	1297-P	NUT, 1/4-20 REV HEX LOCK	1
15	6637-P	CONNECTOR LINK, 727A-P 310	1
16	1296-P	HHCS, 1/4-20 X 7-1/2 GR5	1