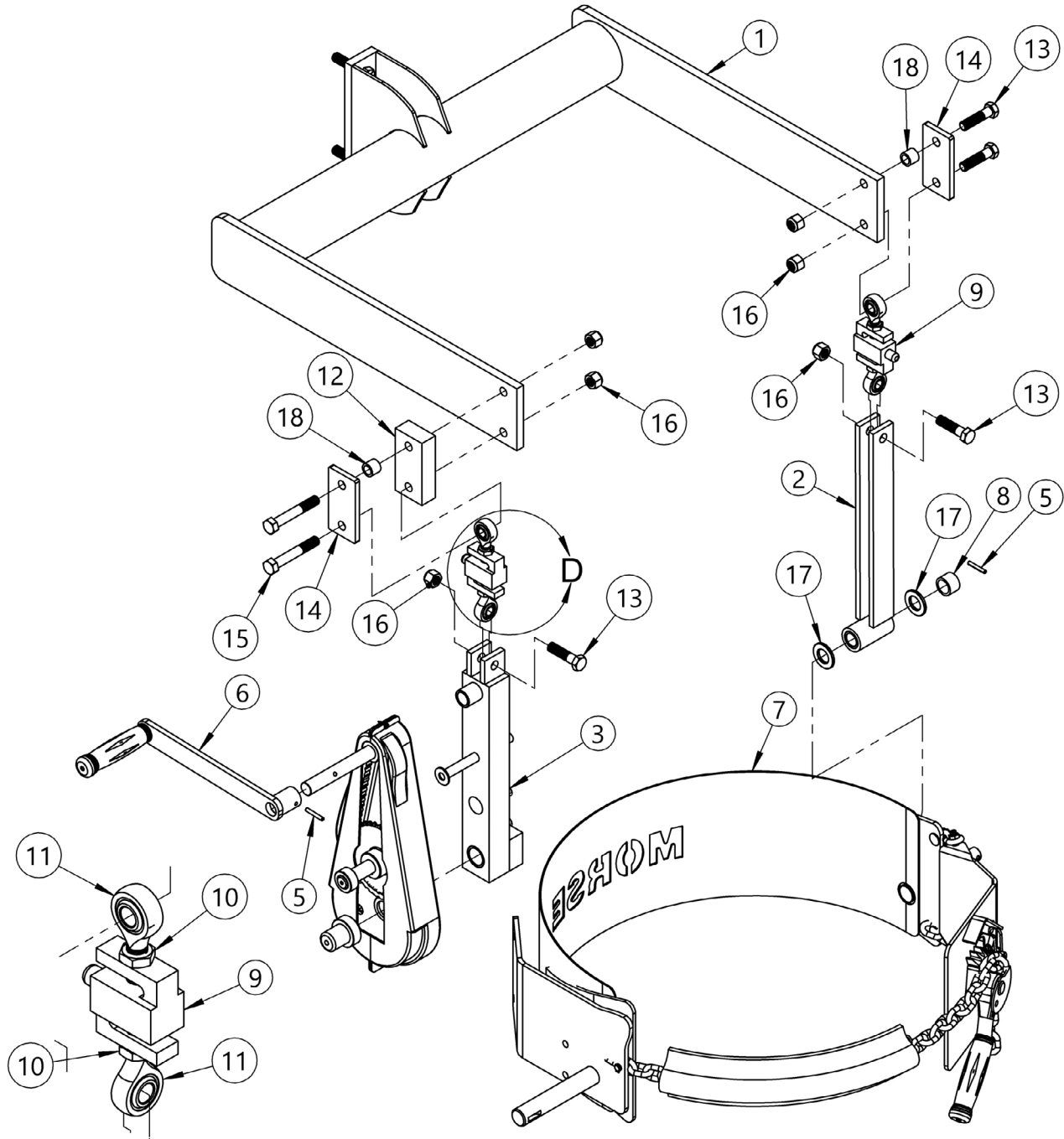


Parts List and Diagram for Morse Part # 6826-P Overhead Assembly used on  
 Model 825A Series Scale-Equipped Drum Palletizer  
 with Serial number 412386 to \_\_\_\_\_



Parts List and Diagram for Morse Part # 6826-P Overhead Assembly used on  
Model 825A Series Scale-Equipped Drum Palletizer  
with Serial number 412386 to \_\_\_\_\_

ITEM NO.	PART NUMBER	DESCRIPTION	QTY.
1	6037-P	OVERHEAD WELD, 82A, 82GT	1
2	6842B-P	IDLER ARM W/ BRG, 825A	1
3	6840W-P	POWER ARM ASM, BOLT ON, 82A	1
4	BOM-UREG	POWER TRAIN, U, REG POWER ARM	2
5	64-P	ROLL PIN, 3/16 X 1-1/4	2
6	5U-P	HAND CRANK, W/ SOCKET TUBE	1
7	5000-P	SADDLE ASM, MORCINCH, MOR	1
8	1411-P	SPACER, SHAFT W/ 12T SPROCKET	1
9	6836-P	LOAD CELL, S BEAM, 500LB 825A	1
10	4687-P	NUT, 1/2-13 JAM	2
11	6817-P	ROD END, BALL JOINT, 1/2-20	2
12	6813-P	SPACER, BOLT ON, 82A-GT	1
13	1168-P	1/2 - 13 X 2 HHCS GR 2	4
14	6820-P	PLATE, HANGER, LOAD CELL 825A	2
15	6272-P	HHCS, 1/2-13 X 3-1/4"	2
16	6266-P	NUT, 1/2-13 NYLON LOCK	6
17	55-P	WASHER, 3/4 SAE FL 1-1/2 OD	2
18	6838-P	SPACER, TUBE, 1/2" BOLT X 5/8	2