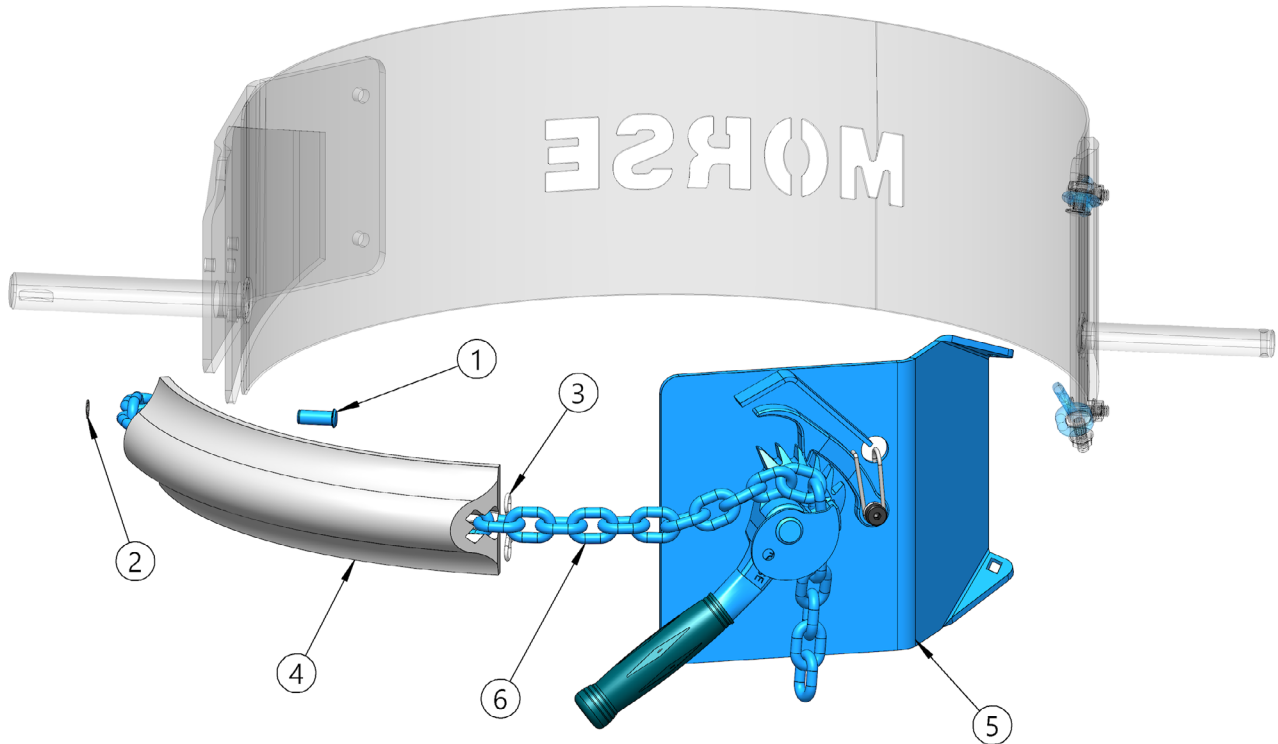


Morse Kit # 6871KIT-P Ratchet Plate with 9/32 Cinch Chain
for Customer to Install on EXISTING MORCINCH™ Drum Holder
on drum handlers made starting April 2024



ITEM NO.	PART NUMBER	DESCRIPTION	QTY.
1	4172SP-P	PIN, S.P., CINCH CHAIN, 5000-P	1
2	4744-P	SNAP RING, EXTERNAL, 3/8"	1
3	4710-P	PIN, BOW TIE COTTER, MOR	1
4	4414-P	COVER, CINCH CHAIN, FLEX PVC	1
5	6871A-P	RATCHET PLATE CPT, SQ HOLE	1
6	5017-P	CHAIN, CINCH, 9/32, 38 LINK	1
7	6833-P	BOLT, 5/16-18 X 1 GR5 CAR	2