

Replacement Parts for Morse Part # 783D-P Hydraulic Cylinder

Used on:

- 400A-60 and 400A-72 Series Hydra-Lift Karriers with serial numbers 1121 to 0122 (MMYY)
- 405 Series Omni-Lift Drum Rackers with serial numbers 1121 to 0122 (MMYY)
- 410 Series Heavy-Duty Hydra-Lift Karriers with serial numbers 1121 to 0122 (MMYY)

Note: Stroke is 22-5/8" (57.5 cm)
Length Closed: 30-3/8" (77.2 cm) Center to Center
Length Fully Extended: 53" (134.6 cm) Center to Center



IMPORTANT NOTE

4-Digit serial numbers are simply the month & year of manufacture

Example: 0802 is August 2002

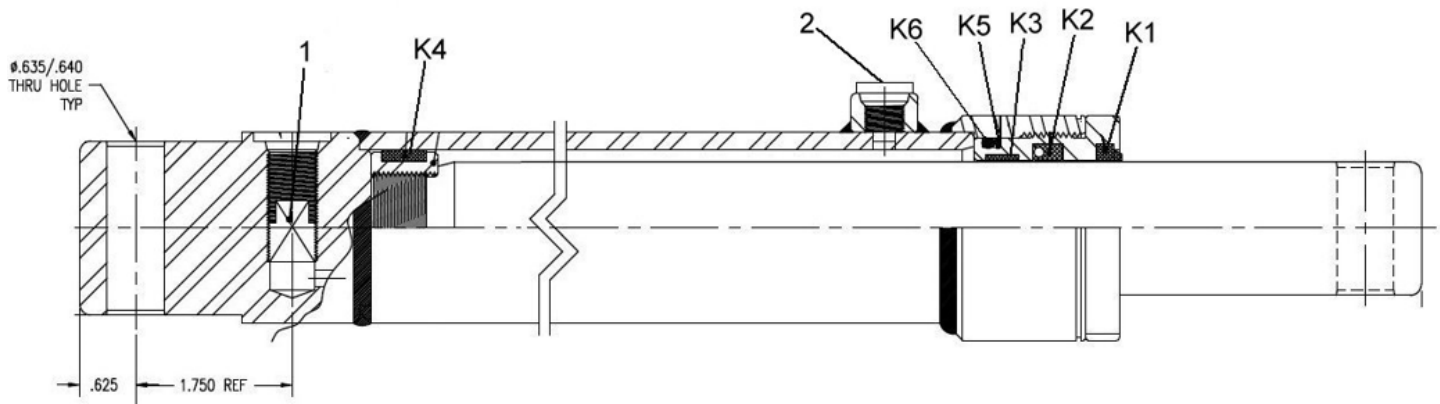
DIREKT FORCE

CYLINDER: 783D-P, 781-P, 782-P, 3006-P and 3008-P

Morse 6659-P KIT, SEAL, 1-1/2" CYL, DF

| SEAL KIT | | | | |
|----------|-------------------|-----------------------------|--|------|
| K1 | ROD WIPER: | 1.500 D-Style | | 1 ea |
| K2 | ROD SEAL: | 18701500-312B POLYPAK | | 1 ea |
| K3 | ROD WEAR RING:: | .375 UHMW x .062 WEAR STRIP | | 1 ea |
| K4 | PISTON WEAR RING: | W1750-500-125 GFN | | 1 ea |
| S4 | ORING - GLAND: | AS-132 N70 (PRE-783D-P) | | 1 ea |
| K5 | ORING - GLAND: | AS-224 N70 | | 1 ea |
| K6 | ORING BACKUP: | BU-223 N90 | | 1 ea |

| | | | | |
|---|-------------------------------|--------|--|------|
| 1 | FLOW FUSE, 3.0 GPM, 783D-P DF | 6660-P | | 1 ea |
| 2 | BLEEDER SCREW, SAE-4 PORT, DF | 6681-P | | 1 ea |



morsedrum.com



service@morsedrum.com



(315) 437-8475



103 Kuhn Rd.
Syracuse, NY, 13208 USA

Replacement Parts for Morse Part # 783D-P Hydraulic Cylinder

