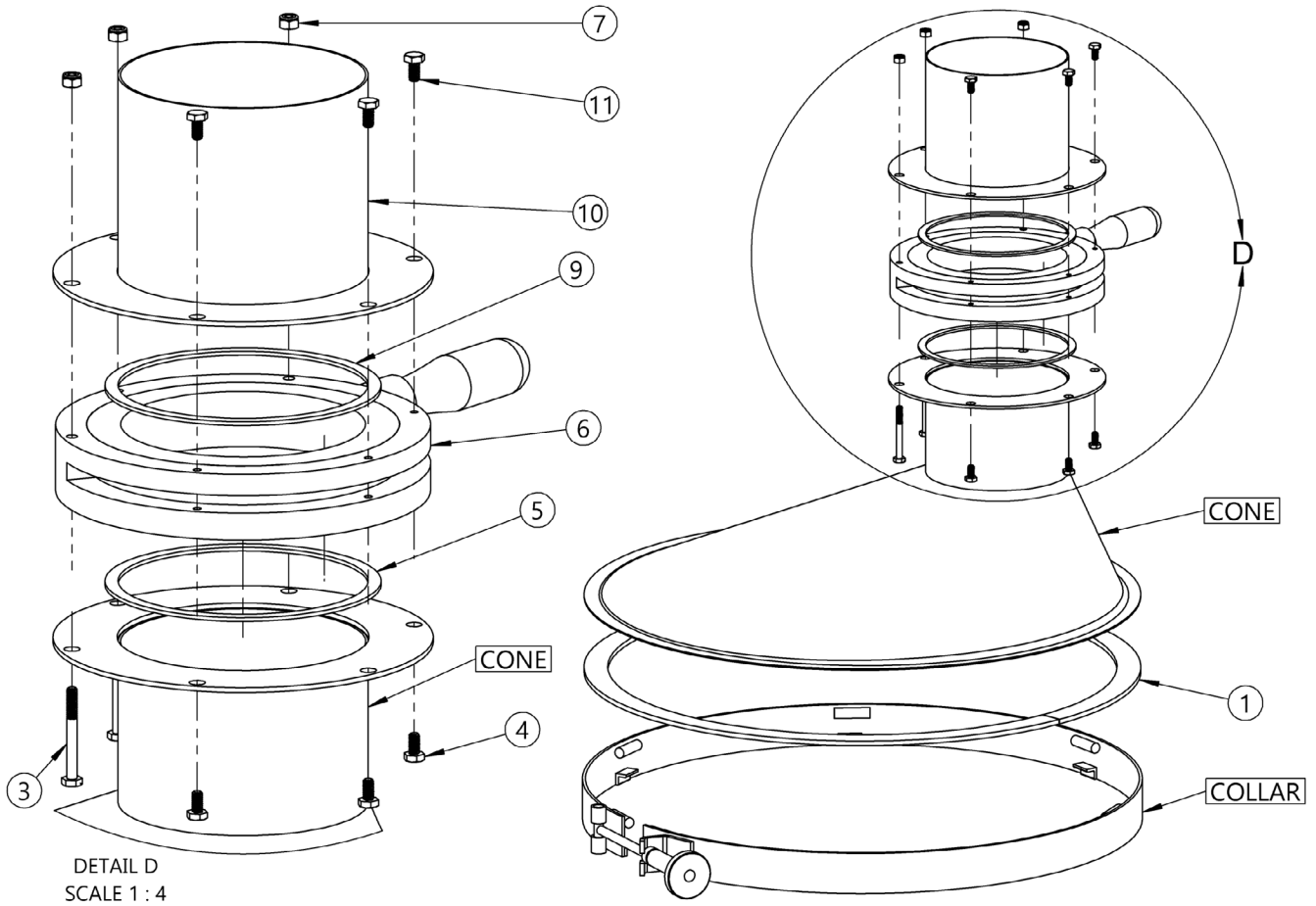


**Installation of Iris Valve and Extension Tube onto Valve Flange of Morse Drum Cone**



ITEM NO.	PART NUMBER	DESCRIPTION	QTY.
1	3602-P	GASKET, NEOPRENE, 23" ID CONE	1
2	IV	KIT, 6" ALUMINUM IRIS VALVE	1
3	4063SS-P	HHCS, 1/4-20 X 2-1/4, SS	3
4	4064SS-P	HHCS, 1/4-20 X 1/2, SS	3
5	6339-P	GASKET, NEOPRENE, 6"	1
6	3415A-P	VALVE, 6" IRIS, ALUMINUM	1
7	1518SS-P	NUT, 1/4-20 NYLON LOCK, SS	3
8	XT	KIT, 5"L X 6" DIA EXT TUBE	1
9	6339-P	GASKET, NEOPRENE, 6"	1
10	5593-P	WELD, FLANGE TUBE	1
11	4064SS-P	HHCS, 1/4-20 X 1/2, SS	3

