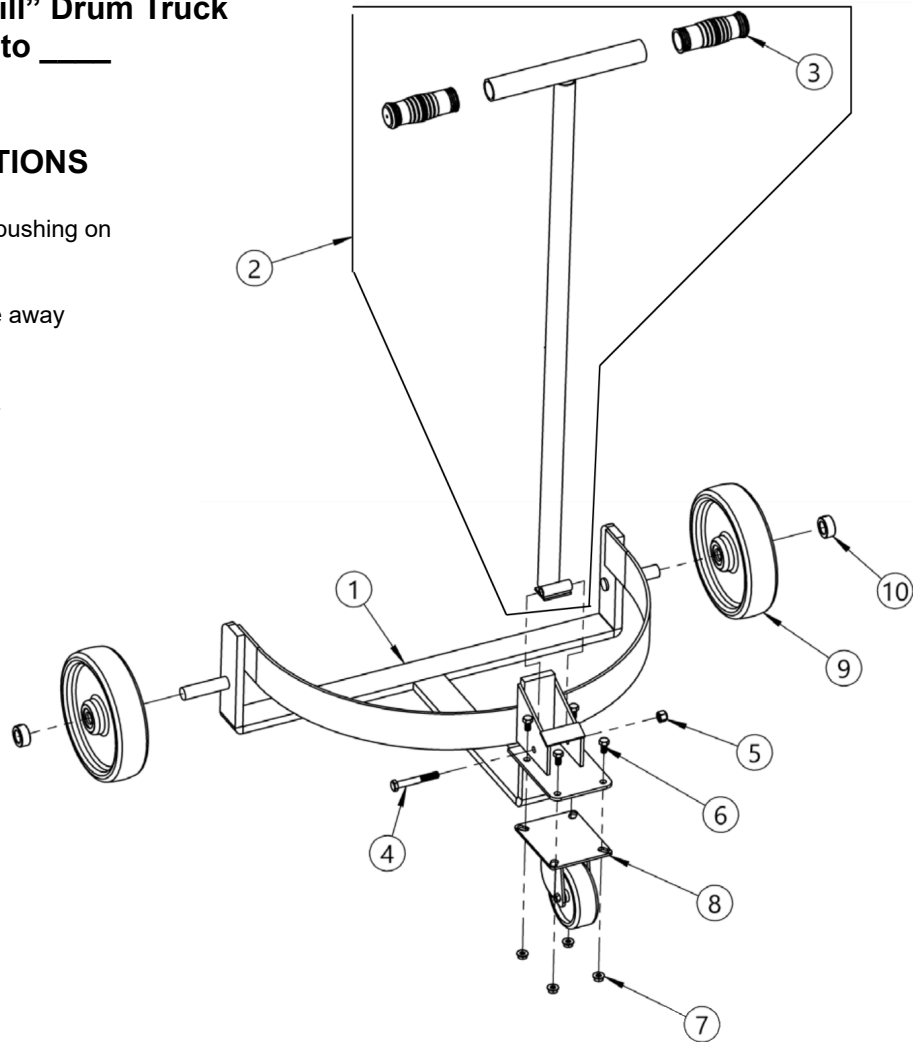


Morse Model 125 “No-Spill” Drum Truck
with Serial Number 0913 to _____

OPERATING INSTRUCTIONS

- A. Move upright drum by pulling or pushing on hinged handle.
- B. Hinge allows extension of handle away from load to pivot or steer truck.
- C. Handle stores in upright position.



ITEM NO.	PART NUMBER	DESCRIPTION	QTY.
1	74-P	BASE WELD, 125	1
2	72-P	HANDLE ASM, 125	1
3	83-P	GRIP, HANDLE, 1-1/4 X 4-1/2	2
4	1315-P	HHCS, 3/8-16 X 2-3/4 GR2	1
5	3981-P	NUT, 3/8-16 NYLON LOCK	1
6	215-P	HHCS, 5/16-18 X 5/8 GR2	4
7	1634-P	NUT, 5/16-18 WHIZ LOCK	4
8	3308-P	CASTER, 4" SWIVEL, DBL RACE	1
9	87-P	WHEEL, MORTUF, 8", 3/4" BRG	2
10	15-P	COLLAR, 3/4" ID	2



WARNING: This product can expose you to chemicals including barium sulfate, cobalt, titanium dioxide, and 2-methylimidazole, which are known to the State of California to cause cancer, and bisphenol-A, which is known to the State of California to cause birth defects or other reproductive harm.
For more information go to www.P65Warnings.ca.gov



morsedrum.com



service@morsedrum.com



(315) 437-8475



103 Kuhn Rd.
Syracuse, NY 13208 U.S.A.