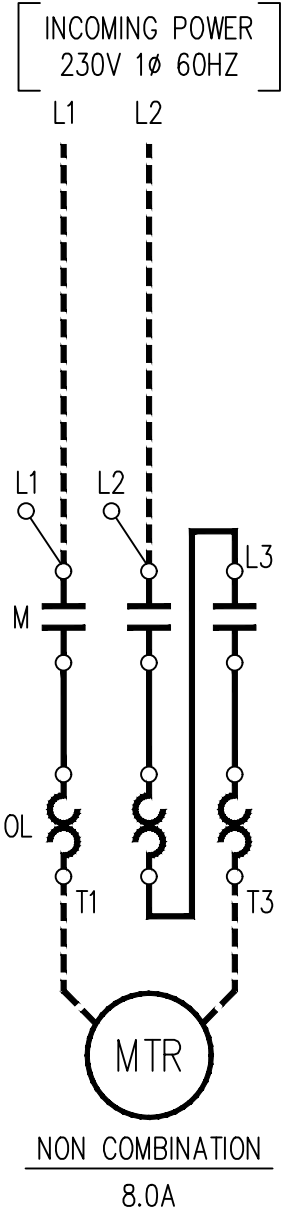
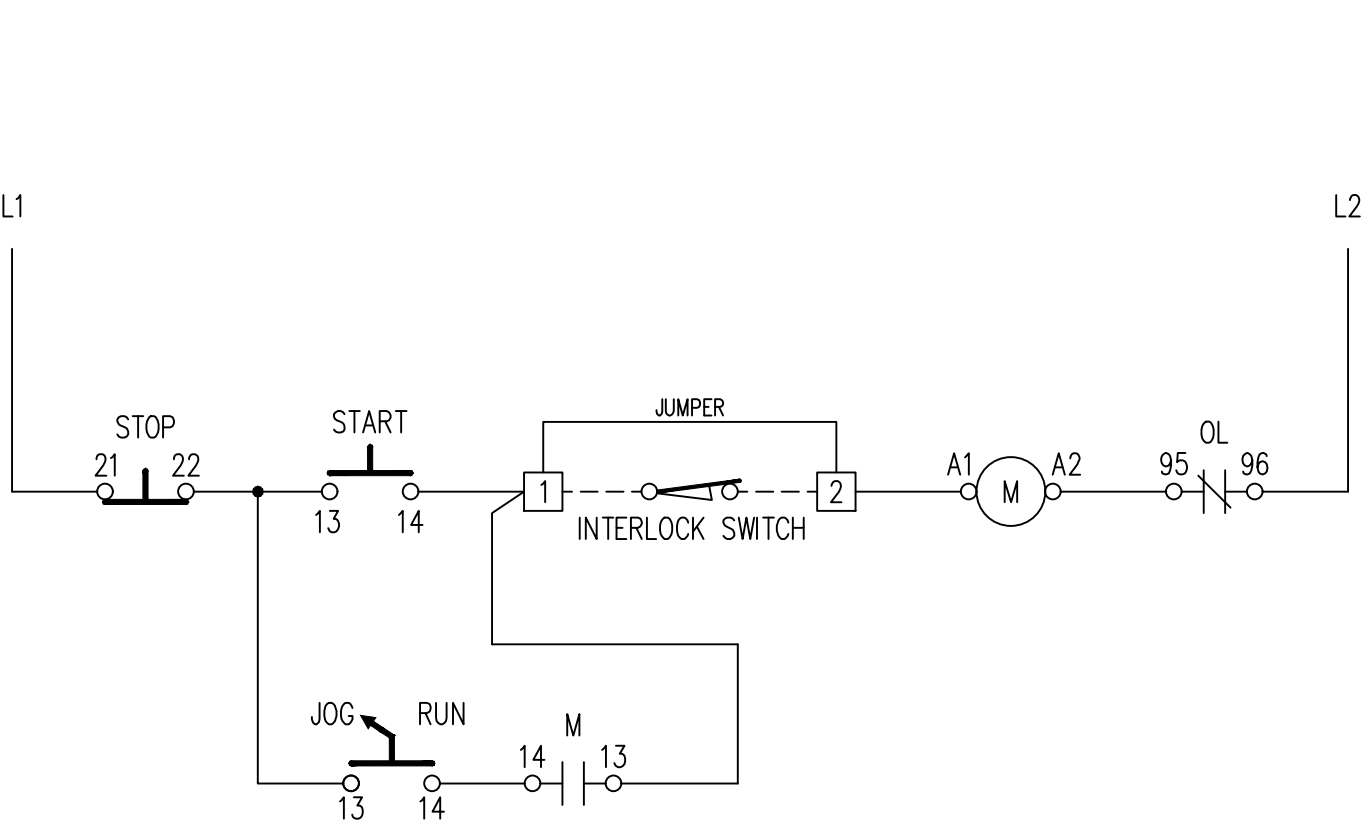
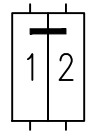


CUSTOMER TO SUPPLY PROPER BRANCH
CIRCUIT PROTECTION AS PER LOCAL CODES.
(USE 75°C COPPER WIRE ONLY)



TERM. BLOCK DETAIL



NOTES:
1) TB JUMPER TO BE REMOVED IF INTERLOCK SWITCH IS USED.

-	-	-	-
-	-	-	-
-	-	-	-
-	-	-	-
1	UPDATED COIL VOLTAGE FROM 120V TO 230V.	9-29-2021	CG
REV	CHANGE	DATE	BY

NOTICE
THIS DRAWING IS THE CONFIDENTIAL
PROPERTY OF SPRECHER+SCHUH, INC
and, as such, is subject to recall at
any time. The drawing may not be
reproduced, used or disclosed for
any purpose except as authorized by
SPRECHER+SCHUH, INC.

DRAWN BY:
CG
CHECKED BY:
JP
APPROVED BY:
MB
DATE
9-23-2021

CUSTOM CONTROL PANEL
FVNR W/ TB'S FOR INTERLOCK SWITCH
PART NUMBER - 2969C-P
MORSE MFG

sprecher+
schuh HOUSTON, TEXAS
DWG. NO. SHEET 3 OF 3 SERIES
CCP WS-615-984 600