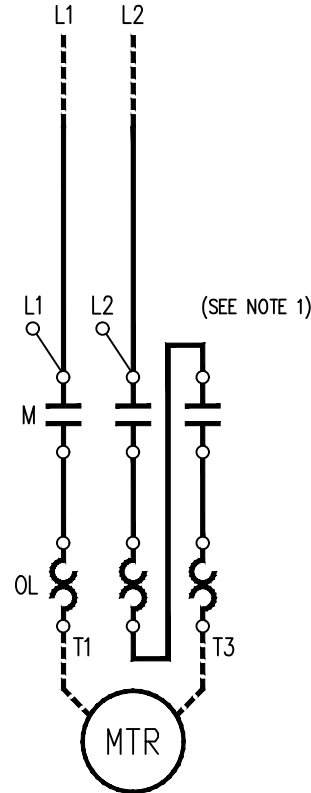
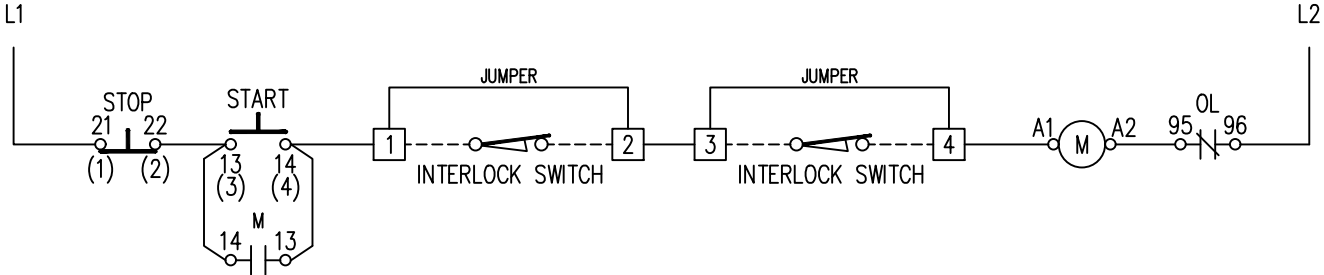


CUSTOMER TO SUPPLY PROPERLY PROTECTED  
INCOMING POWER AS PER LOCAL CODES.  
(USE 75°C COPPER WIRE ONLY)

INCOMING POWER  
120V 1Ø 60HZ

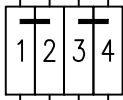


NON COMBINATION  
5.0-7.4A

NOTES:

- 1) SINGLE PHASE APPLICATIONS: 120VAC COILS AND ABOVE SHALL BE WIRED TO LINE SIDE L1 & L2.
- 2) TB JUMPER TO BE REMOVED IF INTERLOCK SWITCHES ARE USED.

TERM. BLOCK DETAIL



-	-	-	-
-	-	-	-
-	-	-	-
-	-	-	-
-	-	-	-
REV	CHANGE	DATE	BY

**NOTICE**  
THIS DRAWING IS THE CONFIDENTIAL PROPERTY OF SPRECHER+SCHUH, INC and, as such, is subject to recall at any time. The drawing may not be reproduced, used or disclosed for any purpose except as authorized by SPRECHER+SCHUH, INC.

DRAWN BY: MB  
CHECKED BY: CG  
APPROVED BY: MB  
DATE: 9-09-21

CUSTOM CONTROL PANEL  
FVNR W/ START-STOP  
PART NUMBER - 6497C-P  
MORSE MFG

sprecher+ schuh HOUSTON, TEXAS  
DWG. NO. CCP WS-615-3610 SHEET 2 OF 2 SERIES 600