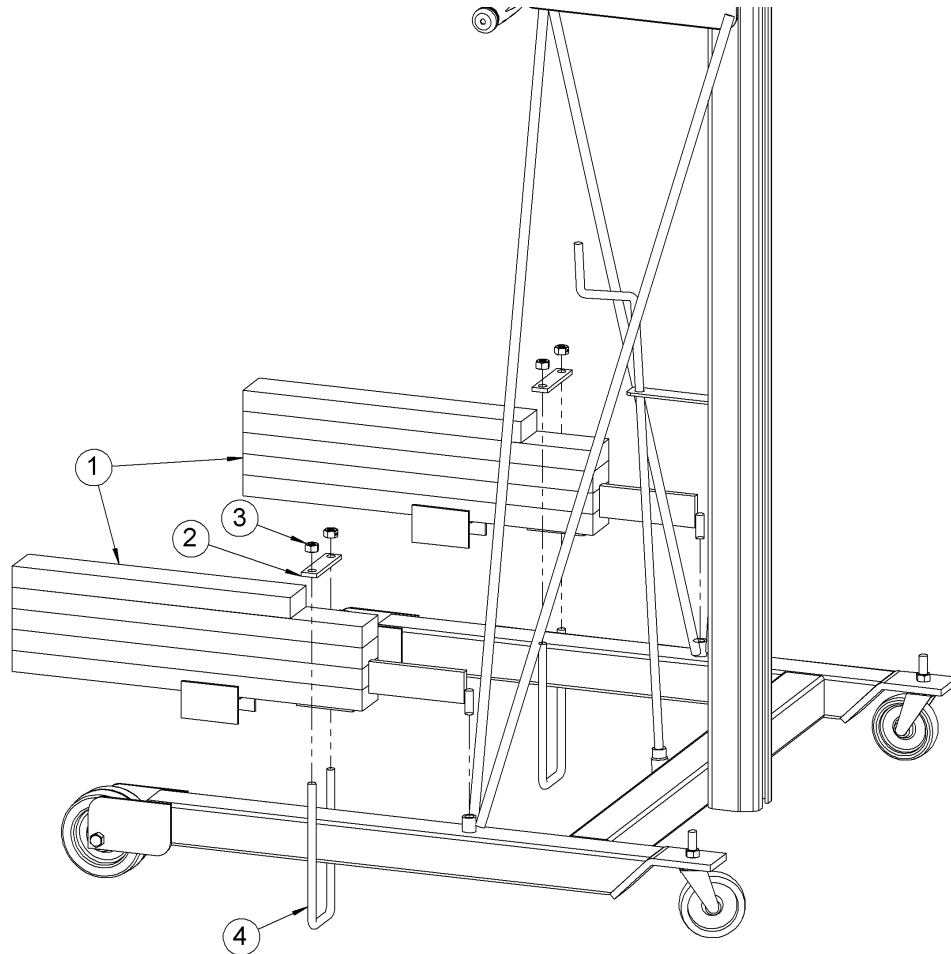


Install counterweight with Model 83 Base Assembly reversed as shown below to allow reach beyond wheels.



**WARNING** - Use of counterweight option reduces the capacity of the model 83 PailPRO™ Pail Handler to 75 Lb (34kg). maximum per pail.



**WARNING:** This product can expose you to chemicals including barium sulfate, cobalt, titanium dioxide, and 2-methylimidazole, which are known to the State of California to cause cancer, and bisphenol-A, which is known to the State of California to cause birth defects or other reproductive harm. For more information go to [www.P65Warnings.ca.gov](http://www.P65Warnings.ca.gov)

## Kit 3930-P

Counterweight Kit, 83

SN 0204 to Current (MMYY) or 400000 to Current

