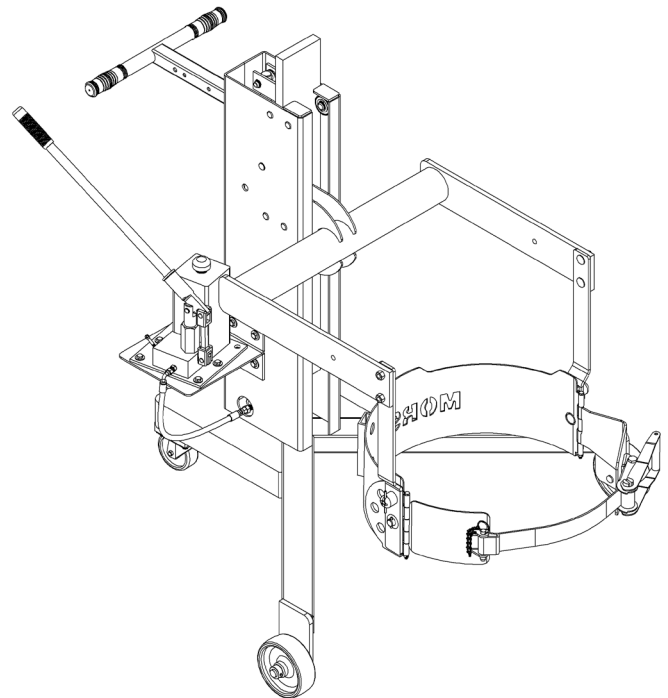


**CONTENTS**

	Page
Receiving Procedures. . . . .	1
Warranty. . . . .	1
Safety Information. . . . .	1 - 2
Machine Description. . . . .	3 - 4
Accessories. . . . .	3
Operating Instructions. . . . .	4 - 5
Maintenance. . . . .	5

**Operator’s Manual**  
**for Morse Mobile-Karrier / Palletizer**

**Model 82A**  
 Serial Number 1016 to 0118 (MMYY)



**Receiving Procedures**

Every Morse drum handler is inspected prior to shipping. However, damage may be incurred during transit.

- Check for visible damage. If you choose to accept damaged freight, always sign noting the damage on the **Bill of Lading**.
- Document the damage and have the truck driver sign. We recommend keeping a digital camera at your receiving dock for this purpose.
- Open packages expeditiously to check the condition of the goods. There is only a 24 hour window to notify the carrier of any concealed damage.
- Immediately **report all damage to the shipping company!** Then you may contact Morse for assistance with your freight claim.
- Morse Manufacturing will not be held responsible for any damaged freight that is not signed for as damaged.

**Limited 2 Year Warranty**

Morse drum handling equipment is guaranteed against defects in workmanship or materials for two years when used properly within its rated capacity. Warranty does not cover wear from normal use or damage from accident or abuse. Motors and other purchased parts carry the warranties of their manufacturers.

For warranty claims, contact your Morse Dealer to obtain a return authorization number, and for return freight advice. Return freight must be prepaid.

In all instances, liability is limited to the purchase price paid or to repairing or replacing the product. Customer assumes liability for any modifications, unauthorized repairs or parts substitution.

**Safety Information**

While Morse Manufacturing Co. drum handling equipment is engineered for safety and efficiency, a high degree of responsibility must be placed upon the machine operator to follow safe practices, based primarily on common sense, upon which true safety depends.

Failure to follow the safety precautions in this manual can result in personal injury or property damage. Observe the same precautions as with similar machinery where carelessness in operating or maintenance is hazardous to personnel. Carefully read the safety precautions below and throughout this manual.

Review the Material Safety Data Sheet(s) for the material(s) in the drum(s) and take all necessary precautions. Safety shoes, work gloves, hard hat and other personal protective devices are recommended.

Prior to initial use, inspect all moving parts. Inspect saddle assembly for proper operation. Perform necessary load test, inspections, operator training, etc.



[morsedrum.com](http://morsedrum.com)



[service@morsedrum.com](mailto:service@morsedrum.com)






(315) 437-8475



103 Kuhn Rd.  
 Syracuse, NY, 13208 USA

**Operator's Manual for Model 82A Morse Mobile-Karrier / Palletizer**  
**Serial Number 1016 to 0118 (MMYY)**

**Safety Information** (continued)

	<b>DANGER</b> - Indicates a situation which, if not avoided, will result in serious injury or death. This signal word is limited to the most extreme situations.
	<b>WARNING</b> - Indicates a situation which, if not avoided, could result in serious injury or death.
	<b>CAUTION</b> - Indicates a situation which, if not avoided, can result in damage to the machine.



**CAUTION** – Do Not Transport with Drum Raised. Always lower the drum holder to lowest position before transporting.



**WARNING** - The Mobile-Karrier / Palletizer is designed to handle one drum of the types listed at the top of page 3. Machine Description. DO NOT attempt to handle any other type of drum or object. DO NOT exceed the weight capacity of 600 Lb. (272 kg).



**WARNING - Level Floors Only**

For operation only on clean, level floors of suitable bearing capacity. Do not use on sloped surfaces, ramps, irregular or debris strewn floors.



**WARNING** - Do Not Modify the Unit. Under no circumstances should any modifications be made to the Morse machinery without factory authorization. Any modifications may void the warranty. This machine was designed to perform a specific job and alterations may result in injury to operator or machine.



**WARNING** - No Loose Fitting Clothing. Wear close-fitting clothing and safety equipment appropriate to the job. Loose fitting clothing may become caught on the machinery and cause severe personal injury.



**WARNING - Hydraulic Fluid Under Pressure Can Be Hazardous**

Escaping hydraulic fluid under pressure can penetrate the skin, causing serious injury. Avoid the hazard by relieving pressure before disconnecting hydraulic lines. Keep hands and body away from pinholes and nozzles, which eject fluid under high pressure. Use a piece of cardboard to search for leaks. If an accident occurs, see a doctor immediately and inform them of the nature of the accident.



**CAUTION** - Wear safety shoes with non-slip soles and hard toe protection.



**CAUTION** - DO NOT allow drum to impact on floor, ground, or dumping station, etc.

**Operator's Manual for Model 82A Morse Mobile-Karrier / Palletizer**  
**Serial Number 1016 to 0118 (MMYY)**

**Machine Description**

The Mobile-Karrier / Palletizer is designed to lift, transport, and dispense a ribbed 55-gallon (210 liter) steel drum with 22.5" (57.2 cm) diameter. The maximum capacity is 600 Lb. (272 kg).

**MORSE**  
Mfg. Co., Inc.  
E. Syracuse, NY

The Specialist In Drum Handling Equipment

**600 Lb. Max. Capacity**  
( 272 kg )

Made in U.S.A.

**ACCESSORIES**

**to Install on EXISTING Manual Tilt Drum Handler**

**55/30 Series Diameter Adapters**

for drum with diameter smaller than 22" (56 cm). To handle a smaller drum, insert the correct size Diameter Adapter into the standard drum holder. See Diameter Adapter info at:

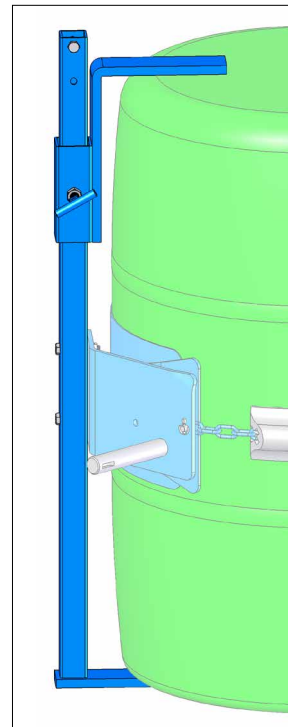
<https://morsedrum.com/products/diameter-adapters>

ONLY Diameter Adapters for drum with 17.5" (44.5 cm) diameter or smaller have integrated brackets to prevent drum slipping length-ways.

**NOTE:** For 30-gallon (114 Liter) PLASTIC drum, insert Diameter Adapter; **AND** install Bracket or Top Rim Clamp to prevent drum slipping.

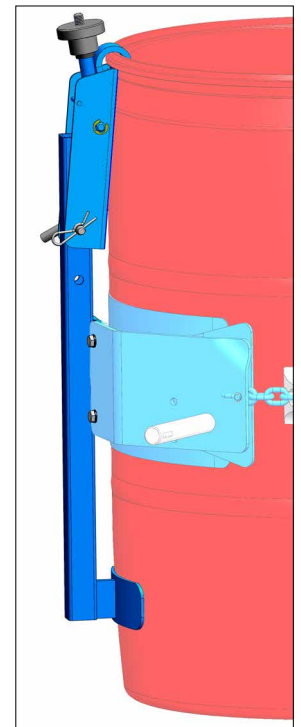
**IMPORTANT:** To prevent 30 to 55 gallon (114 to 210 L) size plastic drum from slipping, you **MUST** install either Top Rim Clamp Kit or Bracket Assembly Kit.

1. **Bracket Assembly Kit # 4556-P** is **required** to handle a RIMLESS plastic drum (figure 2.1), and is also recommended for a fiber drum. The Bracket adjusts for a 31" to 39" (79 to 99 cm) tall drum. You can also handle a rimmed drum with the Bracket installed.
2. **Top Rim Clamp Kit # 4560B-P** to handle a RIMMED plastic drum (figure 2.2). Install the Top Rim Clamp Kit to handle a RIMMED plastic, steel or fiber drum with suitable top rim.



**Figure 2.1**

**Kit # 4556-P**  
**Bracket Assembly**  
to handle RIMLESS or RIMMED plastic drum



**Figure 2.2**

**Kit # 4560B-P**  
**Top Rim Clamp**  
to handle RIMMED plastic drum

**Operator's Manual for Model 82A Morse Mobile-Karrier / Palletizer**  
**Serial Number 1016 to 0118 (MMYY)**

**Controls**

The Morse Mobile Karrier / Palletizer is manually propelled and steered.

There are two functions for the operator to control:

1. "LIFT" and lower function for vertical positioning of the drum
2. "TILT" function to control the degree of rotation of the drum

**LIFT and Lower Function** (Figure 2.3)

To raise the drum

1. Insert pump lever handle into pump socket.
2. With the release valve closed, begin to pump the lever handle. The drum will lift.


To lower the drum

Open the release valve slowly, a part of a turn. Allow the drum to descend at a controlled rate. The valve may be reclosed to hold the drum at any height.

**TILT Function**

To tilt the drum

1. Either one of the two spring loaded plunger tilt-locks may be locked to hold the drum upright. It is not necessary to lock both of them.
2. Position drum at pouring station.
3. Before unlocking the tilt-lock(s) to permit tilting the drum, it is recommended that you steady the drum and be prepared for its possible tendency to tilt toward its heavier side.
4. With both tilt-locks unlocked, manually tilt the drum for pouring. The drum pouring angle may be varied or it can be locked in various positions by one of the tilt-locks.

 **WARNING:** Keep hands and fingers clear of tilt lock hole, as a pinch point will occur when drum rotates.

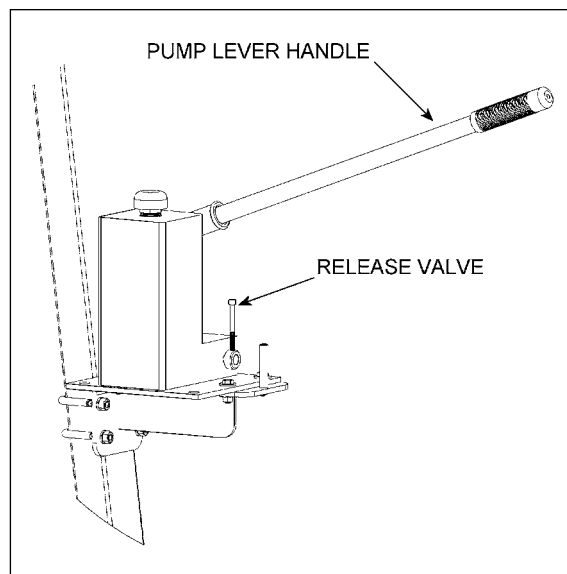
**Operating Instructions**

1. Roll drum lifter to drum. Steer unit so drum holder meets middle of drum (Figure 4.1). Operate hydraulics as necessary. Swing both hinged bands to the open position. Roll the unit forward and push drum holder so that drum holder (saddle) will encircle drum.

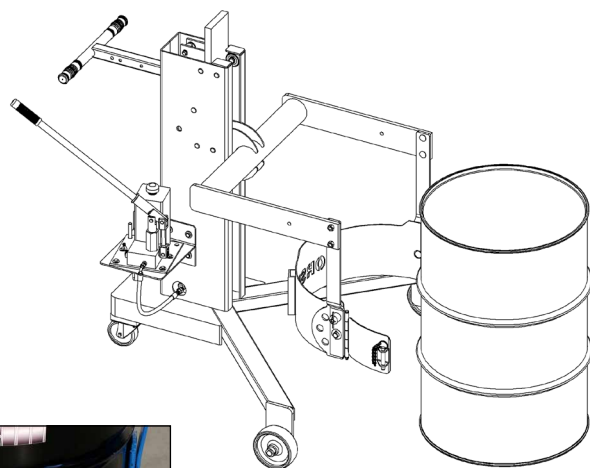
**WARNING:** Keep hands and other objects away from top opening of lifting frame.

2. To secure drum: Drape web strap across face of drum, place strap loop between clevis, and secure with pin (Figure 4.2). Operate ratchet to tighten strap around drum (Figure 4.3).

3. Operate lift function to raise drum off the floor, push drum lifter to deliver drum. Avoid unreasonably rough or non-level surfaces. Move at moderate speed. Carry drum only high enough to avoid contact with the floor or obstacles. Push loaded unit when possible for transporting. Pulling unit should be limited to maneuvering at short distance.



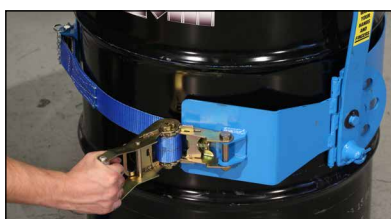
**Figure 2.3**



**Figure 4.1**



**Figure 4.2**



**Figure 4.3**

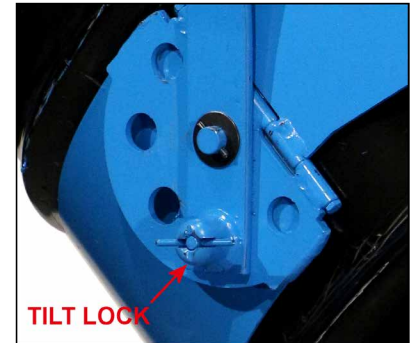
**Operator's Manual for Model 82A Morse Mobile-Karrier / Palletizer**  
**Serial Number 1016 to 0118 (MMYY)**

4. Either one of the two spring loaded plunger tilt locks (Figure 4.4) may be locked to hold drum upright. Unlocking both will permit drum to be tilted. Drum pouring angle may be varied or drum can be locked in various positions by inserting one tilt lock. It is not necessary to lock both tilt locks. Before unlocking tilt lock it is recommended that you steady drum and prepare to resist its tendency to tilt toward its heavy end.

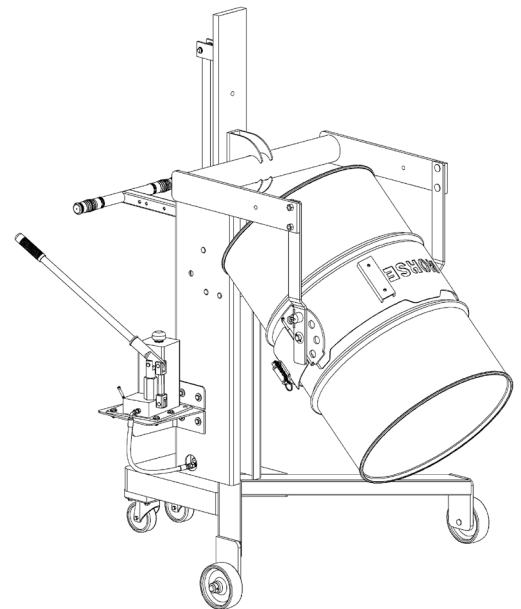


**WARNING:** Keep hands and fingers clear of tilt lock holes, as a pinch point will occur when drum rotates.

5. With tilt-locks unlocked, manually tilt the drum for pouring (Figure 4.5). The drum pouring angle may be varied or it can be locked in various positions by one of the tilt-locks.
6. After emptying, rotate drum back to vertical position and lower.
7. Before unloading drum, release tilt locks and return drum to upright. Lower drum at a controlled rate.
8. To remove drum: Squeeze the ratchet release lever and open all the way to unlock. Then release the tension on the strap. Allow enough slack in order to remove strap loop from clevis. Swing both hinged bands to open position. Pull unit away and park on level floor, out of traffic lanes when not in use.
9. Adjustment for Shorter Drums: The drum holder assembly is factory set in position for handling typical 55-gallon (210 liter) drums. For handling shorter drums such as typical 30-gallon (114 liter) drums, relocate drum holder assembly downward as follows: Detach by removing nuts that hold it to lifting assembly. Reattach at alternate location 6" lower.



**Figure 4.4**



**Figure 4.5**

## Maintenance

Periodic inspection for the general condition of structural and mechanical components is imperative for safe and efficient operation.

- Periodically inspect all moving parts, framework, and contact areas for signs of wear, fatigue, or loosening. Tighten, adjust, or replace parts as necessary to prevent failure and maintain proper function.
- Inspect the hydraulic system for oil drips, hose damage, or other signs of wear. Inspect the level and condition of the hydraulic fluid. Replace any parts that show signs of wear.
- Grease wheel bearings periodically. Oil or grease all moving parts including: Tilt locks, fulcrum shafts, hinge pins, and the ratchet.
- Worn or damaged parts must be properly replaced with the correct, genuine Morse parts.
- Hydraulic pump is shipped filled with Noco Premium plus automatic transmission fluid d/m. Material safety data sheet (msds) is available online. Change oil yearly, sooner depending on dirty conditions or outdoor use. Replace oil with Mobil dte 24 or equivalent for indoor use (Mobil dte 13 for outdoor use).
- The web strap should be removed from service or replaced if any of the following are visible:
  - Acid or caustic burns
  - Melting or charring of any part of the strap
  - Holes, tears, cuts, snags or embedded articles
  - Broken or worn stitching in load bearing splices
  - Excessive abrasive wear