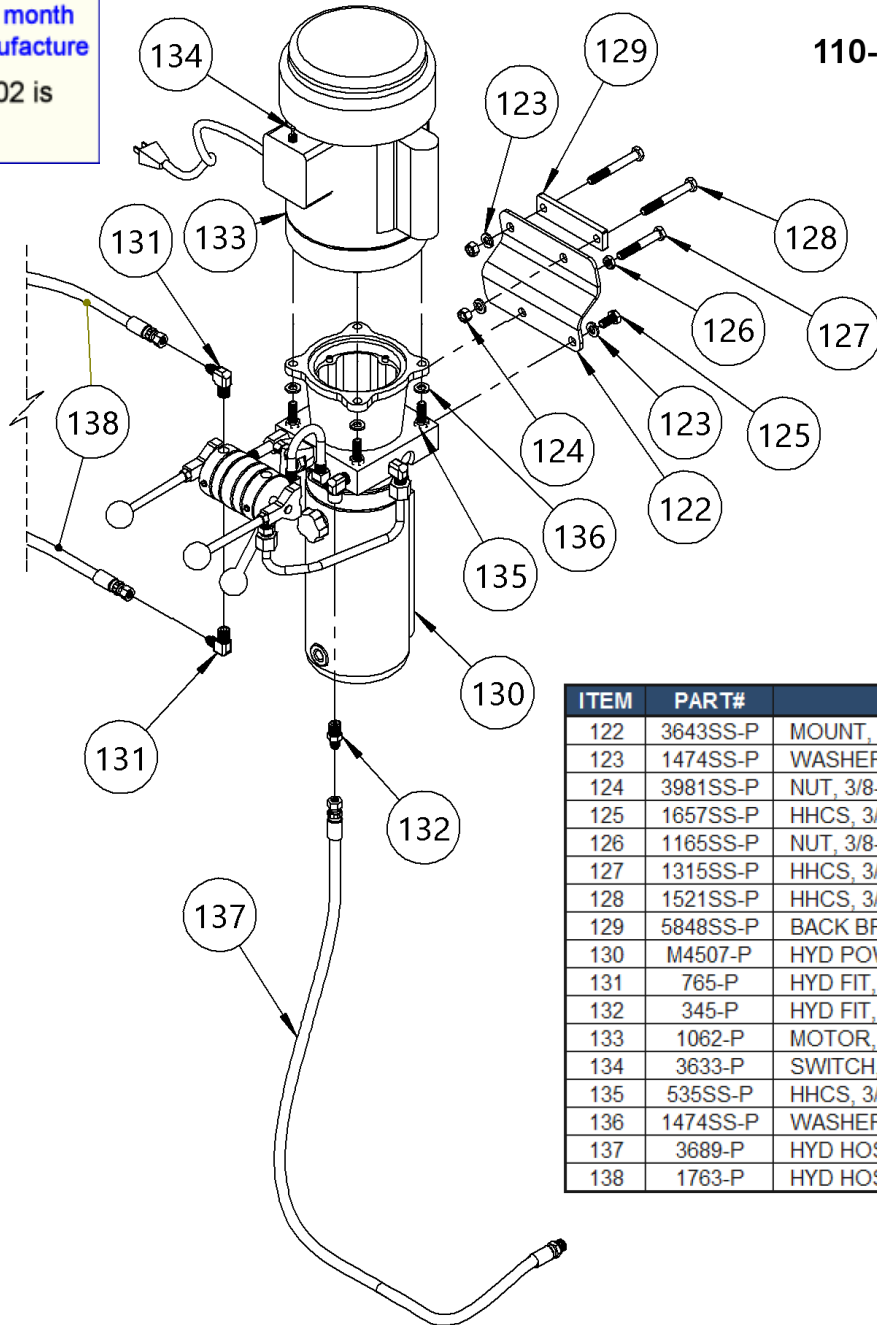


**Parts Diagram for AC Power Lift and Tilt Components
Used on Morse 72" Lift Stainless Steel Hydra-Lift Drum Pourers
with serial number 0217 to 0222 (MMYY)**

**IMPORTANT
NOTE**

4-Digit serial numbers
are simply the month
& year of manufacture

Example: 0802 is
August 2002



ITEM	PART#	DESCRIPTION	QTY.
122	3643SS-P	MOUNT, POWER PUMP, 400, SS	1
123	1474SS-P	WASHER, 3/8 SPLIT LOCK, SS	3
124	3981SS-P	NUT, 3/8-16 NYLON LOCK, SS	2
125	1657SS-P	HHCS, 3/8-16 X 3/4 SS	1
126	1165SS-P	NUT, 3/8-16 JAM SS	1
127	1315SS-P	HHCS, 3/8-16 X 2-3/4 SS	1
128	1521SS-P	HHCS, 3/8-16 X 3, SS	2
129	5848SS-P	BACK BRACKET, PUMP MOUNT, SS	1
130	M4507-P	HYD POWER PACK, -110, -114	1
131	765-P	HYD FIT, MALE ELBOW, FLARE 400	2
132	345-P	HYD FIT, MALE FLARE, 456, 82	1
133	1062-P	MOTOR, 1HP 1PH TEFC 56C W CORD	1
134	3633-P	SWITCH, TOGGLE, MOMENTARY, 400	1
135	535SS-P	HHCS, 3/8-16 X 1-1/4, SS	4
136	1474SS-P	WASHER, 3/8 SPLIT LOCK, SS	4
137	3689-P	HYD HOSE ASM, 31"	1
138	1763-P	HYD HOSE ASM, 77", 72 PT	1