


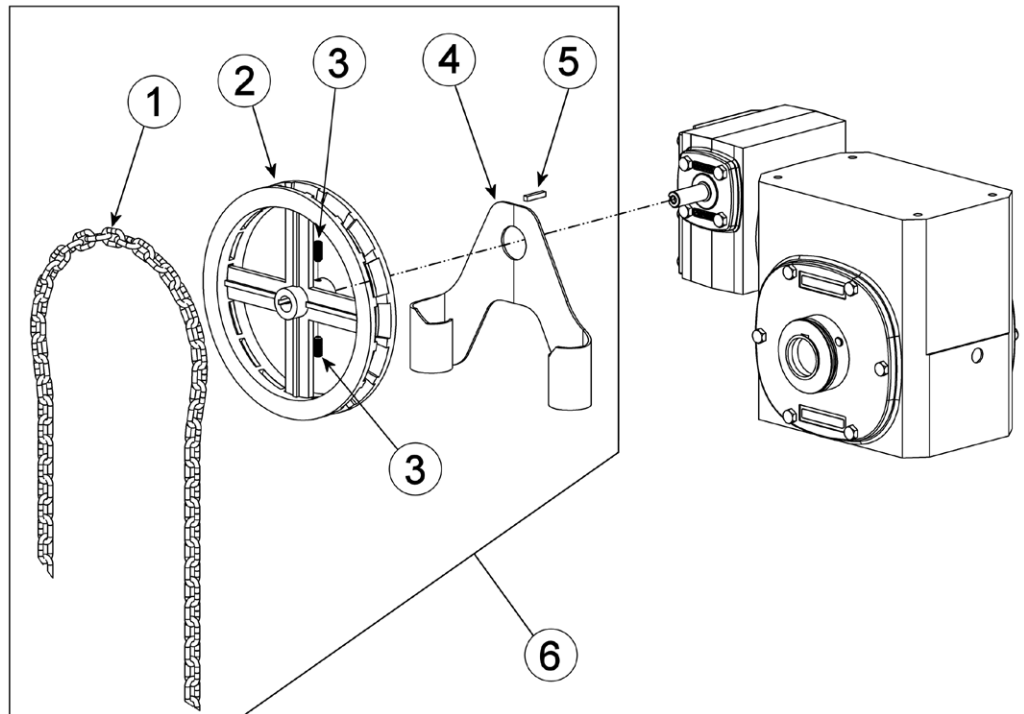
**Chain Wheel Replacement Parts for Morse Models:**

Model #	Serial Numbers (MMYY)
185XGR	0708 to ____
285A-GR	0708 to 0519
285G-GR	0708 to 0519
285XGR	0708 to ____

 **IMPORTANT NOTE**

4-Digit serial numbers are simply the month & year of manufacture

Example: 0802 is August 2002



ITEM #	QTY.	PART #	DESCRIPTION
1	1	3-285-P	CHAIN, PULL, POCKET 20' LENGTH
2	1	1322-P	POCKET CHAIN WHEEL, 5/8 BORE
3	2	5278-P	SET SCREW, 5/16-18 X 3/4 KNURL
4	1	5245-P	GUIDE, POCKET CHAIN WHEEL
5	1	1326-P	KEY, SQUARE, 3/16 X 1"
<b>Chain Wheel Kit</b>			
ITEM #	QTY.	PART #	DESCRIPTION
6	1	1325-P	KIT, POCKET WHEEL CPT, 285GR

**Notes:**

1. Insert 3/16" square key (item 3) into the keyway on the input shaft of the speed reducer.
2. Slide the chain wheel assembly onto the shaft with the keyway in the chain wheel (item 2) lined up with the square key. Tighten the two set screws (item 3) on the hub of the chain wheel.