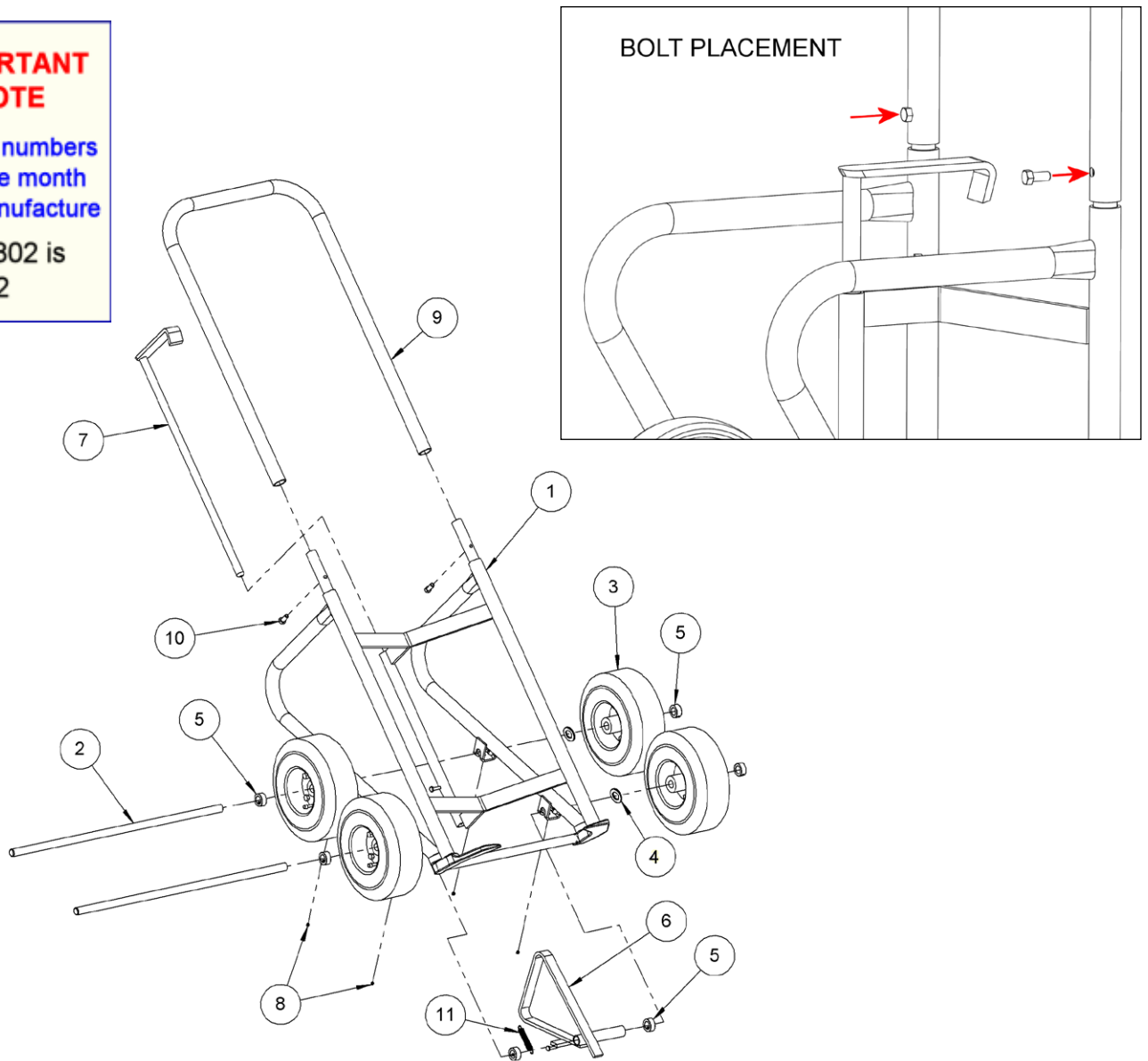


Parts List and Diagram for Model 160-WP 4-Wheel Drum Truck with Pneumatic Wheels Serial Number 1213 to 1115

IMPORTANT NOTE

4-Digit serial numbers are simply the month & year of manufacture

Example: 0802 is August 2002



ITEM NO.	PART NUMBER	DESCRIPTION	QTY.
1	5518W-P	BASE WELD, 160-WP KD	1
2	1381-P	AXLE, 25.5", 160-WP	2
3	1379-P	WHEEL, PNEUMATIC 10", 160-WP	4
4	55-P	WASHER, 3/4 SAE FL 1-1/2 OD	4
5	15-P	COLLAR, 3/4" ID	6
6	1369-P	STAND WELD, 160	1
7	1367-P	HOOK WELD, 160	1
8	1000-P	SET SCREW, 1/4 - 20 X 1/4	4
9	5434-P	HANDLE, 160 KD	1
10	5519-P	HHCS, 3/8-16 X 7/8 , GR5	2
11	1114-P	SPRING, EXTENSION, 160	1

For replacement parts, please contact your Morse dealer.

When ordering parts, please specify:

- Part number and description
- Model number