

**OPERATOR'S MANUAL FOR
MORSE MODEL 2-15 DOUBLE CAN TIPPER**

A. IMPORTANT:

1. Review the Material Safety Data Sheet(s) for the material(s) in the can(s) and take all necessary precautions. Safety shoes, work gloves, hard hat and other personal protective devices are recommended.
2. Please read all instructions *thoroughly* before attempting to operate your new MORSE Double Can Tipper.
3. The model 2-15 is designed to pour *5 gallon cans*. **DO NOT** exceed these ratings. Exceeding these ratings or handling cans other than those mentioned above is unsafe and could result in equipment damage, excessive wear or awkward handling.
4. When loading, unloading, operating, or maintaining your MORSE Double Can Tipper, always use care and good judgment. Maintain secure footing and a firm hold. Keep hands and loose clothing away from all moving parts. Read operating instructions and review the pictures in the sales brochure before operation.

B. ASSEMBLY INSTRUCTIONS:

1. Please unpack and identify the following parts:
 - 2 - Can Holders with Catches
 - 1 - Base
 - 2 - Side Braces (Left and Right)
 - 4 - 1/4-20 x 5/8 Panhead Screws
 - 6 - 1/4-20 Two Way Lock Nuts
 - 2 - 1/4 - 20 X 3/4 Hex Head Cap Screws
2. Spread the base open, hinging at the riveted joints (see curved arrow in parts diagram).
3. Fasten the two side braces in place using two screws (item 4) and nuts. (Note: Left and Right)
4. Turn can holder ring so that the catch is upright as shown.
5. Place can holder between the uprights of the base as shown. Insert screws (item 9) from inside of loop through holes in can holder ring and put screws through the base uprights. Thread the nuts onto the bolts but do not tighten completely. The nuts should be just loose enough to allow the can holder to pivot freely.
6. Repeat steps 4 and 5 for upper can holder and use remaining 1/4-20 x 20 x 5/8 panhead screws.
7. Place a few drops of oil on the pivot bolts before using and periodically to minimize wear.

CAUTION: DO NOT LOAD TOP CAN HOLDER WITHOUT LOAD IN BOTTOM CAN HOLDER!

CAUTION: DO NOT allow can to impact on floor, ground, or dumping station, etc.

CAUTION: DO NOT exceed weight capacity of 75 Lb. per can holder.

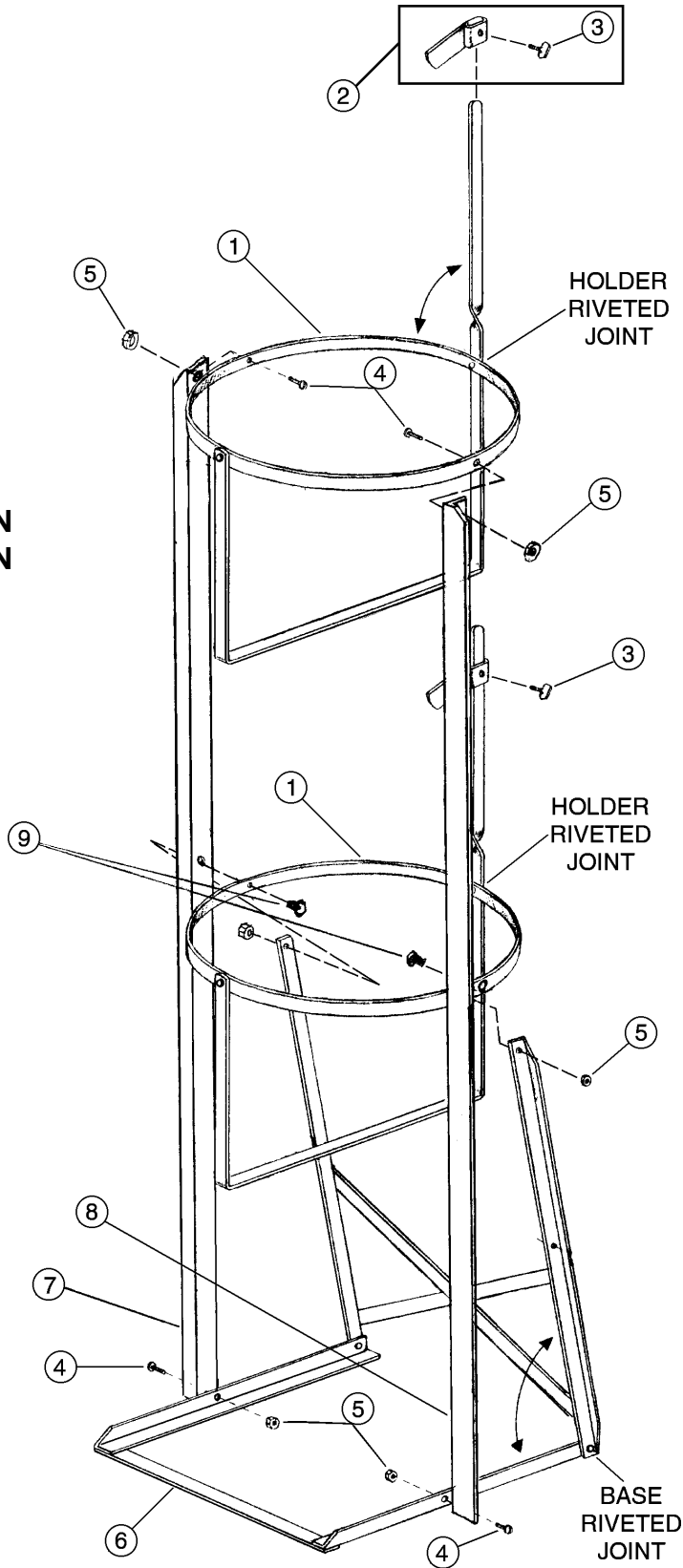
C. MAINTENANCE

1. Periodically inspect all moving parts, framework, and contact areas for signs of wear, fatigue, or loosening.

PARTS LIST FOR MORSE MODEL 2-15 DOUBLE CAN TIPPER

ITEM	QTY	P/N	DESCRIPTION
1	2	1687-P	CAN HOLDER ASM, 15
2	2	1509-P	CATCH WELD, 15 W/ SCREW
3	2	1686-P	THUMB SCREW, 5/16 - 18 X 3/4"
4	4	1517-P	1/4 - 20 X 5/8 PANHEAD SCREW
5	6	1518-P	1/4 - 20 NYLON LOCK NUT
6	1	1688-P	BASE ASM, 15 SERIES
7	1	1712L-P	SIDE BRACE, LEFT, 2-15
8	1	1712R-P	SIDE BRACE, RIGHT, 2-15
9	2	1714-P	1/4 - 20 X 3/4 HHCS GR 2 STL

PARTS DIAGRAM



CAUTION:

**DO NOT LOAD TOP CAN
HOLDER WITHOUT LOAD IN
BOTTOM CAN HOLDER!**