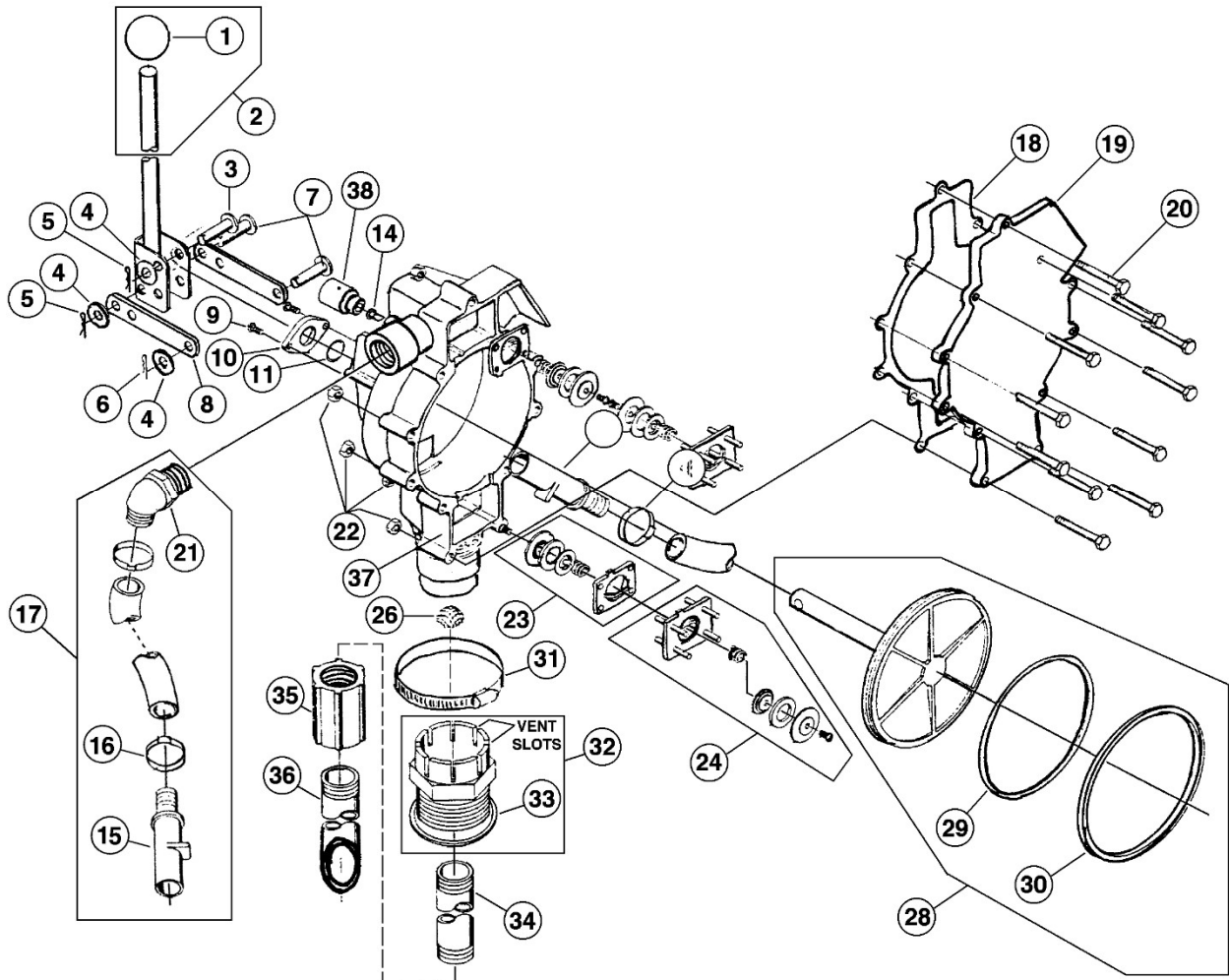


Drum Pump Repair Kits (Valves and Gaskets)

MODEL	REPAIR KIT	DESCRIPTION
26	5867-P	Cork / Nitrile Gasket, Viton O-Rings, Polyester Valves, Teflon Piston Ring
27-1AE	5869-P	EPDM Gasket and O-Rings, Polyester Valves, Teflon Piston Ring
27-4AV	5866-P	Viton Gasket and O-Rings, Polyester Valves, Teflon Piston Ring
28-5BV	5865-P	Viton Gasket and O-Rings, Halar Valves, Teflon Piston Ring
28-6BE	5868-P	EPDM Gasket and O-Rings, Halar Valves, Teflon Piston Ring



Drum Pump Parts

ITEM	QTY	MODEL	PART	DESCRIPTION
1	1	ALL PUMP MODELS	1049-40	KNOB, POLYPROPYLENE, PAC
2	1	ALL PUMP MODELS	1050-01	HANDLE ASM, PUMP, PAC
3	1	ALL PUMP MODELS	1053-00	PIN, CLEVIS 5/16 X 1-1/8, PAC
4	4	ALL PUMP MODELS	1380-90	WASHER, FLAT, NYLON, PAC
5	2	ALL PUMP MODELS	1379-00	CLIP, HAIRPIN, SMALL, PAC
6	1	ALL PUMP MODELS	1027-00	CLIP, HAIRPIN, LARGE, PAC
7	2	ALL PUMP MODELS	1031-00	PIN, CLEVIS, 5/16 X 1-1/4 PAC
8	2	ALL PUMP MODELS	1052-00	LINK, PLATED STEEL, PAC
9	2	ALL PUMP MODELS	1348-10	SCREW, 10-14 X 3/4 SS, PAC
10	1	26, 27-1AE, 27-4AV	1032-30	PLATE, RETAINING, PE, PAC
10	1	28-5BV, 28-6BE	1032-90	PLATE, RETAINING, HALAR, PAC
11	1	27-1AE, 28-6BE	1030-72	O-RING, PISTON ROD, EPDM PAC
11	1	26, 27-4AV, 28-5BV	1030-73	O-RING, PISTON ROD, VITON PAC
14	1	27-1AE, 28-6BE	1040-72	VACUUM BREAKER, EPDM, PAC
14	1	26, 27-4AV, 28-5BV	1040-73	VACUUM BREAKER, VITON, PAC
15	2	26, 27-1AE, 27-4AV	1325-30	NOZZLE, NO-LEAD, PE, PAC
15	1	28-5BV, 28-6BE	1325-90	NOZZLE, NO-LEAD, HALAR, PAC
16	2	ALL PUMP MODELS	1044-12	CLAMP, HOSE, CRIMPED, SS, PAC
17	1	26, 27-1AE, 27-4AV	1342-02	HOSE, PVC W/ PE NOZZLE, PAC
17	1	28-5BV, 28-6BE	1342-92	HOSE, PVC, HALAR NOZZLE, PAC
17	1	26, 27-1AE, 27-4AV	1342-04	HOSE, NITRILE, PE NOZZLE, PAC
17	1	28-5BV, 28-6BE	1342-94	HOSE, NITRILE, HALAR NOZZLE
17	1	26, 27-1AE, 27-4AV	1342-05	HOSE, EPDM W/ PE NOZZLE
17	1	28-5BV, 28-6BE	1342-95	HOSE, EPDM, HALAR NOZZLE, PAC
17	1	26, 27-1AE, 27-4AV	1342-07	HOSE, CLPE W/ PE NOZZLE, PAC
17	1	28-5BV, 28-6BE	1342-97	HOSE, CLPE, HALAR NOZZLE, PAC
18	1	27-1AE, 28-6BE	1204-72	GASKET, COVERPLATE, EPDM, PAC
18	1	27-4AV, 28-5BV	1204-73	GASKET, COVERPLATE, VITON, PAC
18	1	26	1204-90	GASKET, COVERPLATE, CORK, PAC
19	1	26, 27-1AE, 27-4AV	1209-30	COVERPLATE, PE, RED, PAC
19	1	28-5BV, 28-6BE	1209-60	COVERPLATE, RYTON, BLACK, PAC
20	11	26, 27-1AE, 27-4AV	1206-00	SCREW, 1/4-20 X 2, PAC
20	11	28-5BV, 28-6BE	1206-10	SCREW, 1/4-20 X 2 SS, PAC
21	1	26, 27-1AE, 27-4AV	1214-30	ADAPTER, HOSE, PE, 60DEG, PAC
21	1	28-5BV, 28-6BE	1214-90	ADAPTER, HOSE, HALAR 60DEG PAC
22	11	26, 27-1AE, 27-4AV	0721-00	NUT, 1/4-20 HEX, PLATED, PAC
22	11	28-5BV, 28-6BE	0721-10	NUT, 1/4-20 HEX, SS, PAC
23	2	27-1AE	1340-02	VALVE ASM, SMALL, PE EPDM PAC
23	2	26, 27-4AV, 28-5BV	1340-03	VALVE ASM, SMALL PE VITON PAC
23	2	28-6BE	1340-92	VALVE ASM SMALL, HALAR, EPDM
23	2	28-6BE	1340-93	VALVE ASM SMALL, HALAR VITON
24	2	27-1AE	1341-02	VALVE ASM LARGE, PE EPDM, PAC
24	2	26, 27-4AV, 28-5BV	1341-03	VALVE ASM, LARGE PE VITON, PAC
24	2	28-6BE	1341-92	VALVE ASM LARGE, HALAR EPDM
24	2	28-6BE	1341-93	VALVE ASM LARGE, HALAR VITON

26	1	ALL PUMP MODELS	1038-10	SCREEN, FILTER, SS, PAC
28	1	27-1AE	1338-02	PISTON ASM, PE, EPDM, PAC
28	1	26, 27-4AV, 28-5BV	1338-03	PISTON ASM, PE, VITON, PAC
28	1	28-6BE	1338-92	PISTON ASM, HALAR, EPDM, PAC
28	1	28-6BE	1338-93	PISTON ASM, HALAR, VITON, PAC
29	1	27-1AE, 28-6BE	1029-72	O-RING, PISTON, EPDM, PAC
29	1	26, 27-4AV, 28-5BV	1029-73	O-RING, PISTON, VITON, PAC
30	1	26, 27-1AE, 27-4AV	1028-90	RING, PISTON, TEFLON, PAC
30	1	28-5BV, 28-6BE	2024-90	RING, PISTON, TEFLON, THICKER
31	1	ALL PUMP MODELS	1056-10	CLAMP, BUNG ADAPTER, SS, PAC
32	1	26, 27-1AE, 27-4AV	1043-01	ADAPTER, PE, CORK NITRILE, PAC
32	1	28-6BE	1201-92	ADAPTER, HALAR W/ EPDM, PAC
32	1	27-4AV, 28-5BV, 28-6BE	1201-93	ADAPTER, HALAR W/ VITON, PAC
33	1	26, 27-1AE, 27-4AV	1381-90	GASKET, BUNG ADAPTER, PAC
33	1	28-6BE	1822-72	O-RING, BUNG ADAPTER, EPDM PAC
33	1	28-6BE	1822-73	O-RING, BUNG ADAPTER VITON PAC
34	1	26, 27-1AE, 27-4AV	1007-30	TUBE, EXTENSION, 16-1/2 PE PAC
34	1	28-5BV, 28-6BE	1007-90	TUBE, EXTENSION, 16-1/2 TEFLON
35	1	26, 27-1AE, 27-4AV	1055-30	COUPLING, 1" NPT PE, PAC
35	1	28-5BV, 28-6BE	1055-90	COUPLING, 1" NPT HALAR, PAC
36	1	26, 27-1AE, 27-4AV	1045-30	TUBE, SUCTION, 16-1/2 PE, PAC
36	1	26, 27-1AE, 27-4AV	2029-30	TUBE, SUCTION, 10-1/4" PE, PAC
36	1	28-5BV, 28-6BE	1045-90	TUBE, SUCTION, 16-1/2 TEFLON
37	1	26, 27-1AE, 27-4AV	1022-30	HOUSING, PUMP, HALAR, PAC
37	1	28-5BV, 28-6BE	1022-60	HOUSING, PUMP, RYTON, PAC
38	1	26, 27-1AE, 27-4AV	2022-30	PLUG, VENT, PE, PAC
38	1	28-5BV, 28-6BE	2022-90	PLUG, VENT, HALAR, PAC