

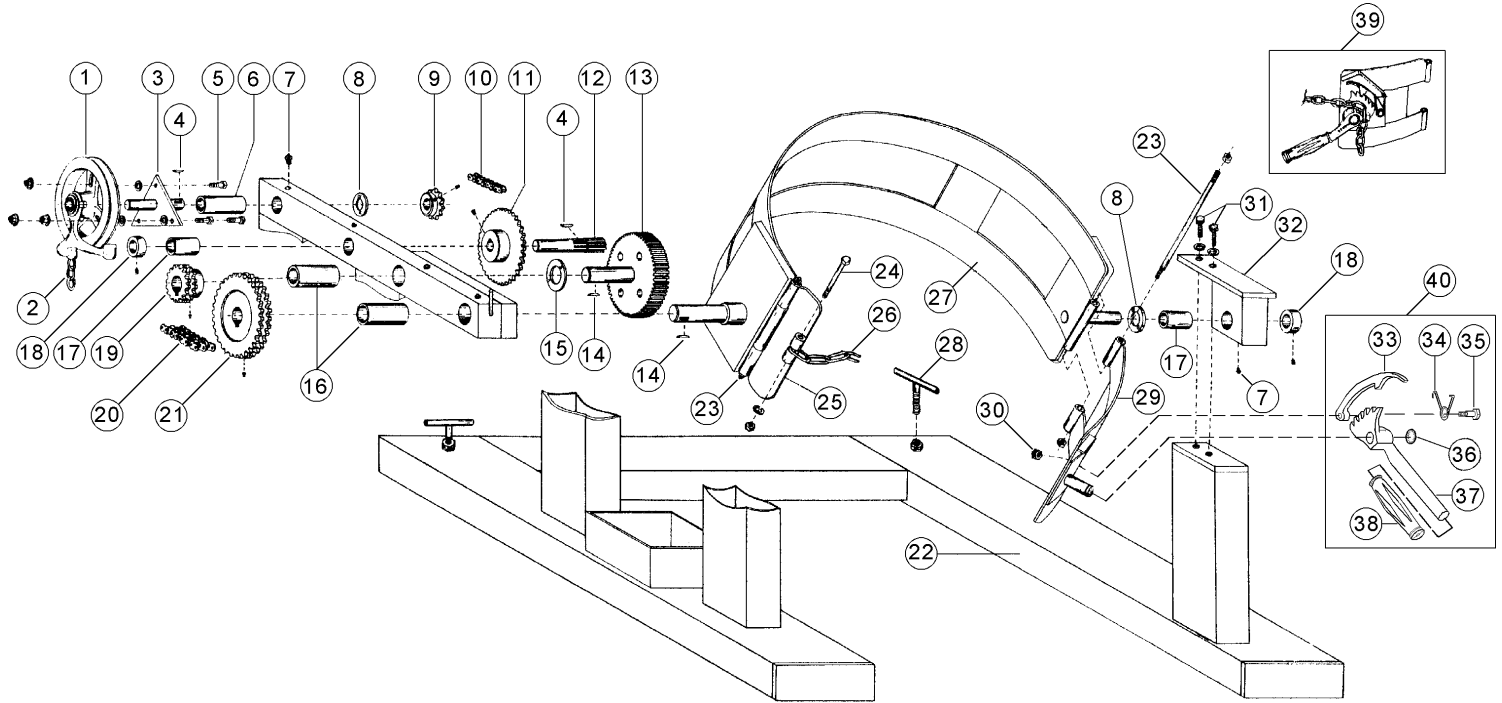
**MORSE MODEL 285A-HD SERIES FORK LIFT-KARRIER S/N 1184-0387**

**Serial Number 1184 to 0387 (MMYY)**

ITEM NUMBER	MODEL LETTER SUFFIX see note #1	QTY	P/N	DESCRIPTION
1		1	1-P	CHAIN WHEEL #1-1/2 W/ GUIDE
2		1	2-285-P	PULL CHAIN, 1/0, 20' LENGTH
3		1	3-P	TRIANGLE & SHAFT W/ BOLTS
4		2	735-P	KEY, WOODRUFF, SIZE 9, ASA606
5		3	35-P	5/16 - 18 X 1 HHCS GR 2
6		1	19-P	BEARING, 3/4" ID X 2-1/2"
7		5	33-P	ALEMITE GREASE FIT
8		2	55-P	WASHER, 3/4 SAE FL 1-1/2 OD
9		1	11-P	SPROCKET, #35 12T, 3/4" BORE
10		1	12-P	CHAIN, ROLLER, #35 W/ M LINK
11		1	13-P	SPROCKET #35 36T, 3/4" BORE
12		1	14-P	GEAR, PINION, 7 TOOTH
13		1	27-P	SPUR GEAR W/ 1" SHAFT, HD TYPE
14		2	736-P	KEY, WOODRUFF, SIZE 15, ASA808
15		1	29-P	SPACER, SPUR GEAR .15"
16		2	18-P	BEARING, 1" ID X 2-1/2"
17		2	7-P	BEARING, 3/4" ID X 1-1/2"
18		2	15-P	COLLAR, 3/4" ID
19		1	30-P	SPROCKET #40D 16T, 1" BORE
20		1	31-P	CHAIN, ROLLER, #40D W/ M. LINK
21		1	32-P	SPROCKET #40D 32T, 1" BORE
22	A	1	52A-P	** BASE FRAME, 285A-HD
22	B	1	52B-P	** BASE FRAME, 285B-HD
23		2	157-P	HINGE PIN & NUTS, 3/8
24		1	155-P	3/8 - 16 X 2-1/2 HHCS GR 2
25		1	150-P	CHAIN HINGE PLT, 285 TYPE
26		1	180-P	CHAIN, CINCH, 3/16 ALLOY 33 LK
27	A	1	1460A-P	SADDLE CPT 285A-HD LONG IDLER
27	B	1	1460B-P	** SADDLE CPT 285B-HD LG IDLER
28		2	58-P	LOCK TEE SET SCREW, 285
29		1	159-P	RATCHET HINGE PLATE ONLY, 3/8"
30		1	491-P	5/16 - 18 REV HEXLOC NUT
31		2	57-P	BEARING BLOCK BOLTS
32		1	53-P	** BEARING BLOCK, 285, 285HD
33		1	168-P	PAWL, WITH DRILLED HOLE
34		1	169-P	PAWL SPRING
35		1	170-P	3/8" DIA X 5/8" SHOULDER SCREW
36		1	166-P	SNAP RING, EXTERNAL, 5SSC-P 82
37		1	165-P	RATCHET, MALLEABLE, SADDLE
38		1	136-P	HANDLE GRIP, 7/8" X 4-3/4"
39		1	159-PC	RATCHET HINGE PLATE CPT, 3/8"
40		1	165KIT-P	KIT, RATCHET CHAIN TIGHTENER

**Note #1:** If no letter is shown, the part is for Models 285A-HD & 285B-HD  
 "SADDLE COMPLETE" includes the drum band and appropriate attached moving parts: 24, 26 & 39.  
 PARTS W/ \*\* IN THE DESCRIPTION HAVE BEEN DISCONTINUED AND ARE NO LONGER AVAILABLE.  
 CONTACT FACTORY FOR RECOMMENDED REPLACEMENT.

**PARTS DIAGRAM FOR**  
**MORSE 285-HD HEAVY-DUTY FORKLIFT KARRIER**  
Serial Number 1184 to 0387 (MMYY)



**For replacement parts, please contact your Morse dealer.**

**When ordering parts, please specify:**

- Part number and description,
- Model number
- Serial number

**Find model number and serial number on metal name plate attached to frame.**