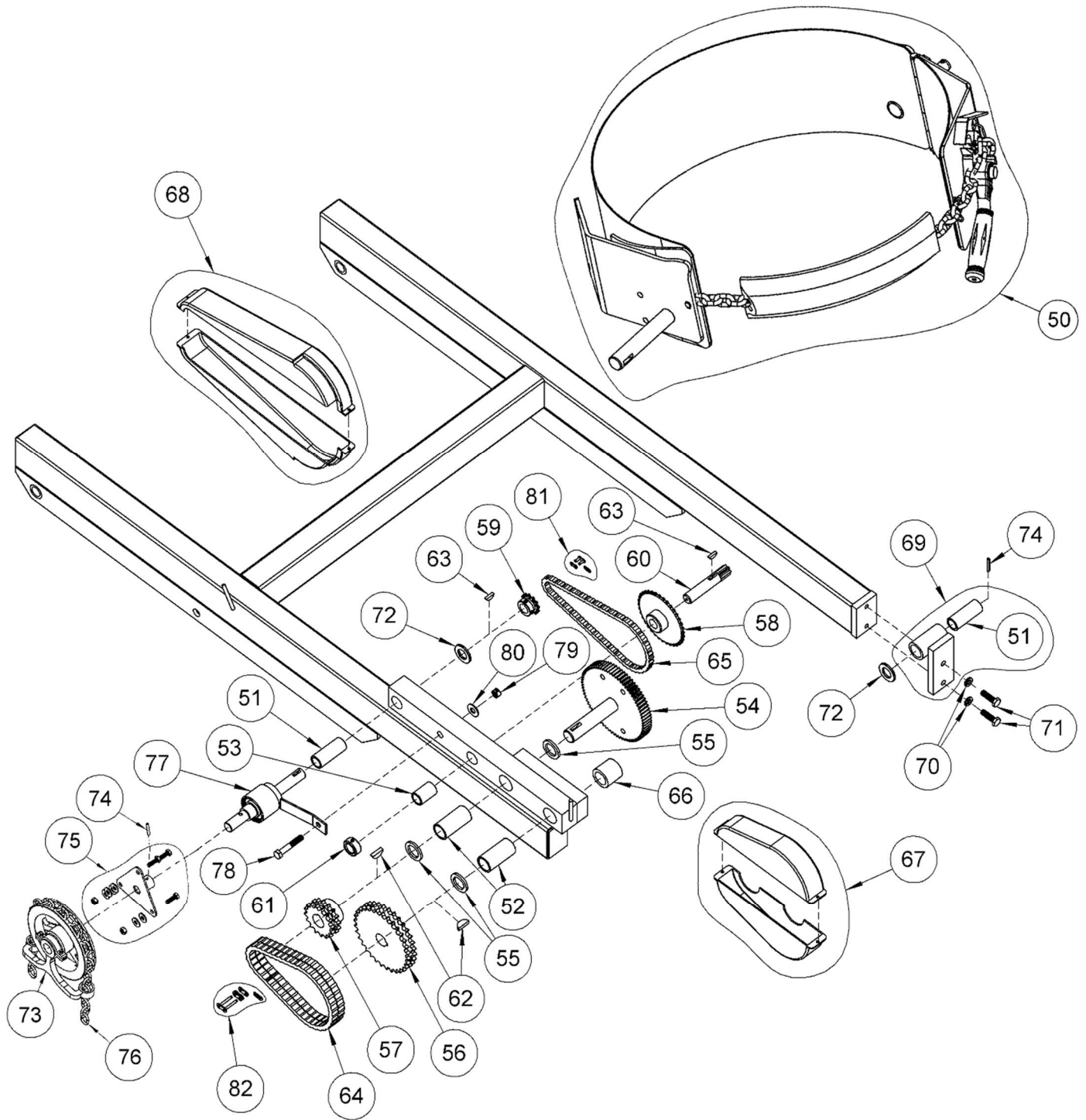


Assembly 3935-P

Overhead Assembly

SN 1210 to Current (MMYY) or 400000 to Current



ITEM	QTY.	PART NUMBER	DESCRIPTION
50	1	5000-P	SADDLE ASM, MORCINCH, MOR
51	2	19-P	BEARING, 3/4" ID X 2-1/2"
52	2	18-P	BEARING, 1" ID X 2-1/2"
53	1	7-P	BEARING, 3/4" ID X 1-1/2"
54	1	27-P	SPUR GEAR W/ 1" SHAFT, HD TYPE
55	3	29-P	SPACER, SPUR GEAR .15"
56	1	32-P	SPROCKET #40D 32T, 1" BORE
57	1	30-P	SPROCKET #40D 16T, 1" BORE
58	1	13-P	SPROCKET #35 36T, 3/4" BORE
59	1	11-P	SPROCKET, #35 12T, 3/4" BORE
60	1	14-P	GEAR, PINION, 7 TOOTH
61	1	15-P	COLLAR, 3/4" ID
62	2	736-P	KEY, WOODRUFF, SIZE 15, ASA808
63	2	735-P	KEY, WOODRUFF, SIZE 9, ASA606
64	1	31-P	CHAIN, ROLLER, #40D W/ M. LINK
65	1	12-P	CHAIN, ROLLER, #35 W/ M LINK
66	1	4372-P	SPACER, HD DRIVE SHAFT 1.4"
67	1	4284-P	COVER SET, 40D SPROCKETS
68	1	4286-P	COVER SET, 30:1 GEARS, HD
69	1	3849B-P	BEARING ASM, SLIDING IDLER
70	2	1474-P	WASHER, 3/8 SPLIT LOCK
71	2	535-P	HHCS, 3/8-16 X 1-1/4 GR5
72	2	55-P	WASHER, 3/4 SAE FL 1-1/2 OD
73	1	1303-P	POCKET CHAIN WHEEL, 3/4 BORE
74	2	64-P	ROLL PIN, 3/16 X 1-1/4
75	1	1304-P	GUIDE, POCKET CHAIN WHEEL
76	1	3-72-P	PULL CHAIN, POCKET, 7' LENGTH
77	1	3901-P	MORStop TILT BRAKE
78	1	82-P	3/8 - 16 X 2-1/4 HHCS GR 2
79	1	1169-P	NUT, 3/8-16 REV HEX LOCK
80	1	1166-P	WASHER, 3/8 USS 1" OD
81	1	795-P	LINK, MASTER, #35 CHAIN
82	1	796-P	LINK, MASTER, #40D CHAIN