

Operator's Manual for Morse Hydra-Lift Karrier with Manual Lift and Tilt

Model 400A-60

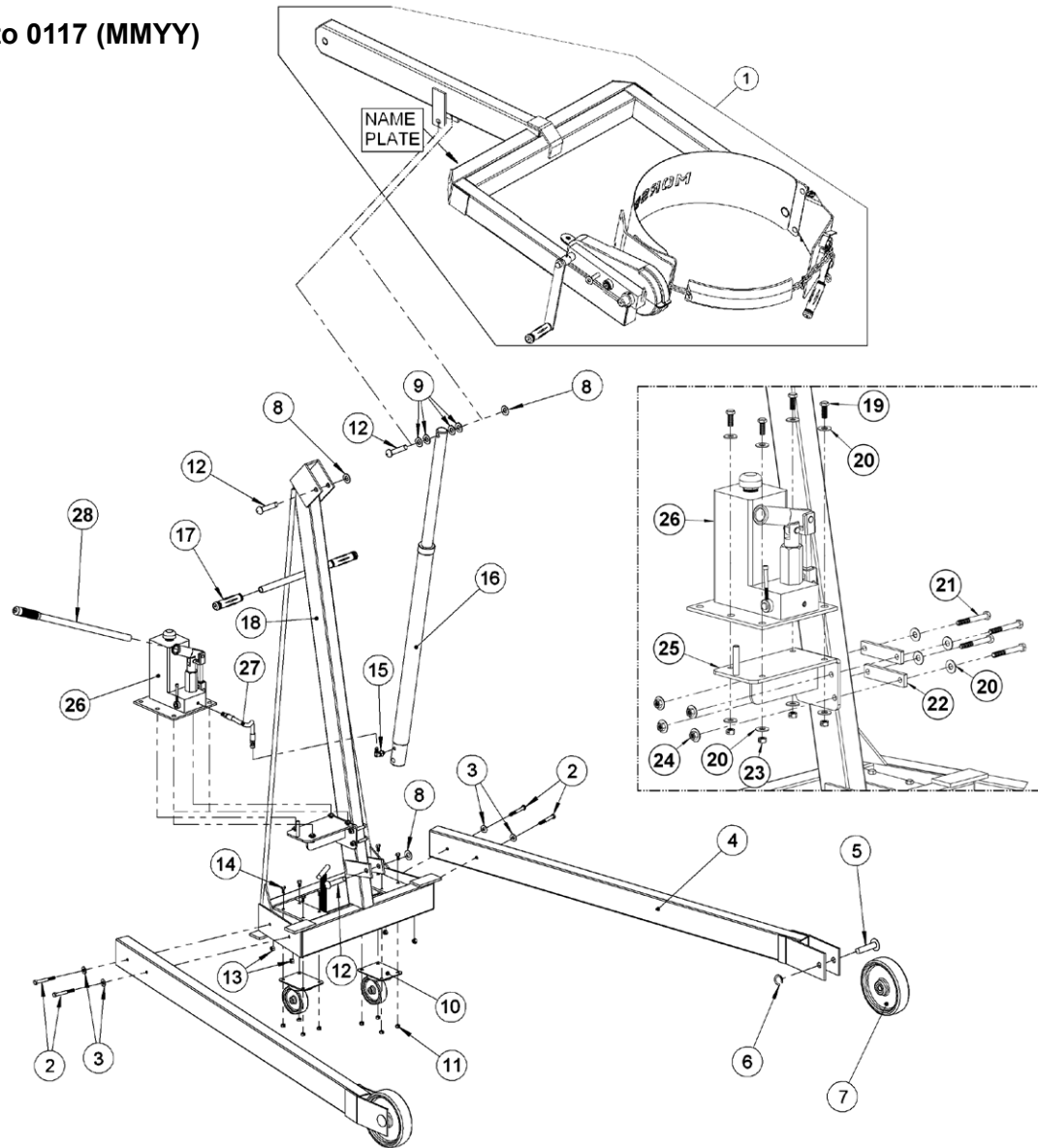
Serial Number 0414 to 0117 (MMYY)



IMPORTANT NOTE

4-Digit serial numbers are simply the month & year of manufacture

Example: 0802 is August 2002



| ITEM | QTY. | PART # | DESCRIPTION |
|------|------|-----------|--------------------------------|
| 1 | 1 | 4519-60-P | OVERHEAD ASM, MOR, 400A-60 |
| 2 | 4 | 1521-P | HHCS, 3/8-16 X 3 GR5 |
| 3 | 4 | 1166-P | WASHER, 3/8 USS 1" OD |
| 4 | 2 | 134-P | LEG WELD, 400A-60, 60 |
| 5 | 2 | 5329-P | AXLE, GROOVE, 3/4 X 3.35" |
| 6 * | 2 | 5330-P | SNAP RING, EXT, HD, .078, 3/4" |
| 7 * | 2 | 87-P | WHEEL, MORTUF, 8", 3/4" BRG |
| 8 | 3 | 5347-P | SNAP RING, EXT, HD, .05, 5/8" |
| 9 | 4 | 17-P | WASHER, 5/8 SAE FL 1-5/16 OD |
| 10 * | 2 | 3308-P | CASTER, 4" SWIVEL, DBL RACE |
| 11 | 12 | 491-P | NUT, 5/16-18 REV HEX LOCK |
| 12 | 3 | 5348-P | PIN, GROOVE, 5/8 X 3.12 |
| 13 | 4 | 1169-P | NUT, 3/8-16 REV HEX LOCK |
| 14 | 8 | 215-P | HHCS, 5/16-18 X 5/8 GR2 |

| ITEM | QTY. | PART # | DESCRIPTION |
|------|------|------------|--------------------------------|
| 15 | 1 | 3610-P | HYD FIT, MALE ELBOW, SAE |
| 16 | 1 | 783-P | CYLINDER, 1.5 X 22.625, V FUSE |
| 17 | 2 | 136-P | GRIP, HANDLE 7/8" X 4-3/4" |
| 18 | 1 | 135-P | ASM, TOWER, 400A-60, 72 |
| 19 | 4 | 1572-P | HHCS, 3/8-16 X 1 GR2 ZINC |
| 20 | 12 | 1166-P | WASHER, 3/8 USS 1" OD, ZINC |
| 21 | 4 | 1521-P | HHCS, 3/8-16 X 3 GR5 |
| 22 | 2 | 5848-P | BACK BRACKET, PUMP MOUNT, 400 |
| 23 | 4 | 1169-P | NUT, 3/8-16 REV HEX LOCK |
| 24 | 4 | 4002-P | NUT, 3/8-16 WHIZ LOCK |
| 25 | 1 | 3642-P | MOUNT PLATE, MANUAL PUMP |
| 26 | 1 | 96MK1939-P | PUMP, HYD, HAND STAR |
| 27 | 1 | 766-P | HYD HOSE ASM, 12" |
| 28 | 1 | 96CP13-23 | HANDLE, LEVER W/ GRIP, STAR |

* Recommended spare parts