

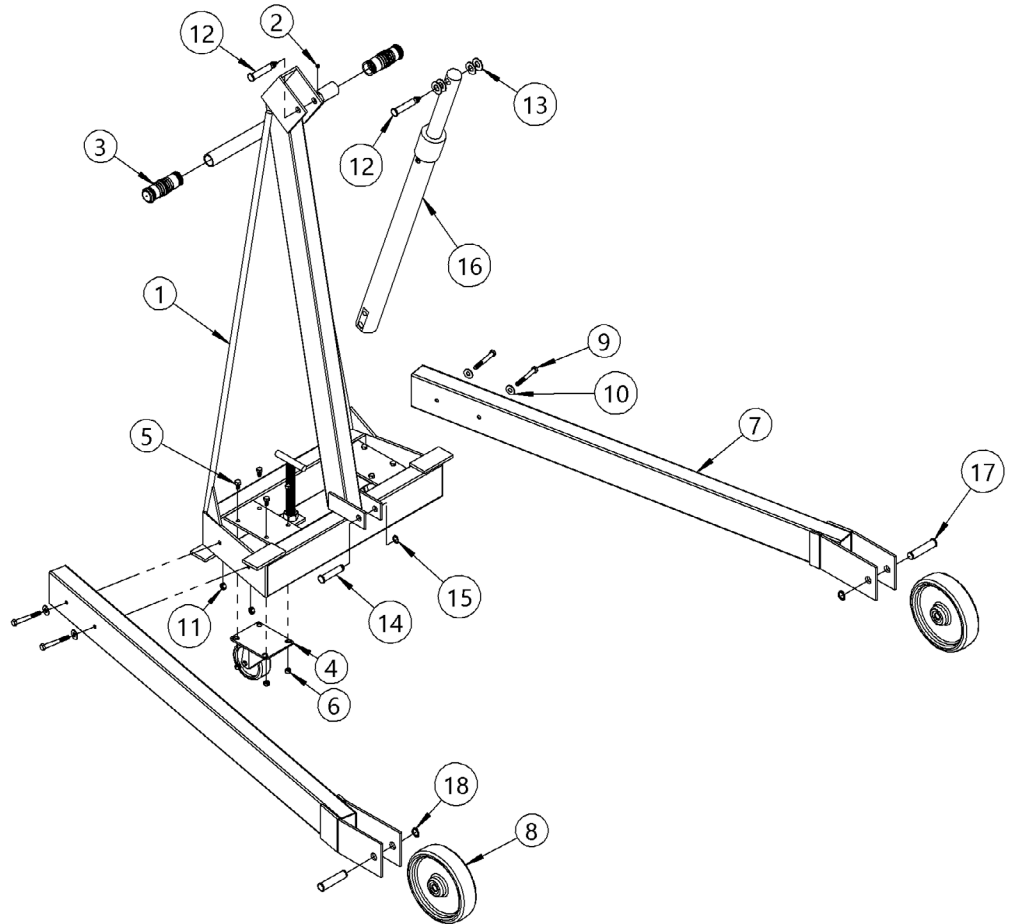
Parts Diagram for Base Assembly of Morse Omni-Lift Karrier 405 Series with Manual Lift  
with 6-Digit Serial Number 000000 to 415102  
or with 4-Digit Serial Number 0617 to 0723 (MMYY)



#### IMPORTANT NOTE

4-Digit serial numbers are simply the month & year of manufacture

Example: 0802 is August 2002



ITEM NO.	PART NUMBER	DESCRIPTION	QTY.
1	135-P	ASM, TOWER, 400A-60 72 CASTERS	1
2	1005-P	SET SCREW, 5/16-18 X 3/8 KNURL	1
3	83-P	GRIP, HANDLE, 1-1/4 X 4-1/2	2
4	3308-P	CASTER, 4" SWIVEL, DBL RACE	2
5	215-P	HHCS, 5/16-18 X 5/8 GR2	8
6	1634-P	NUT, 5/16-18 WHIZ LOCK	8
7	134-84-P	LEG WELD, 400A-84, 96, 405	2
8	87-P	WHEEL, MORTUF, 8", 3/4" BRG	2
9	1521-P	HHCS, 3/8-16 X 3 GR5	4
10	1166-P	WASHER, 3/8 USS 1" OD	4
11	1169-P	NUT, 3/8-16 REV HEX LOCK	4
12	6061-P	PIN, CLEVIS, 400, GREASE FIT	2
13	17-P	WASHER, 5/8 SAE FL 1-5/16 OD	4
14	5348-P	PIN, GROOVE, 5/8 X 2.625	1
15	5347-P	SNAP RING, EXT, HD, .05, 5/8"	1
16	783-P	CYLINDER, 1.5 X 22.625, V FUSE	1
17	5329-P	PIN, GROOVE, 3/4 X 3.10	2
18	5330-P	SNAP RING, EXT, HD, .078, 3/4"	2