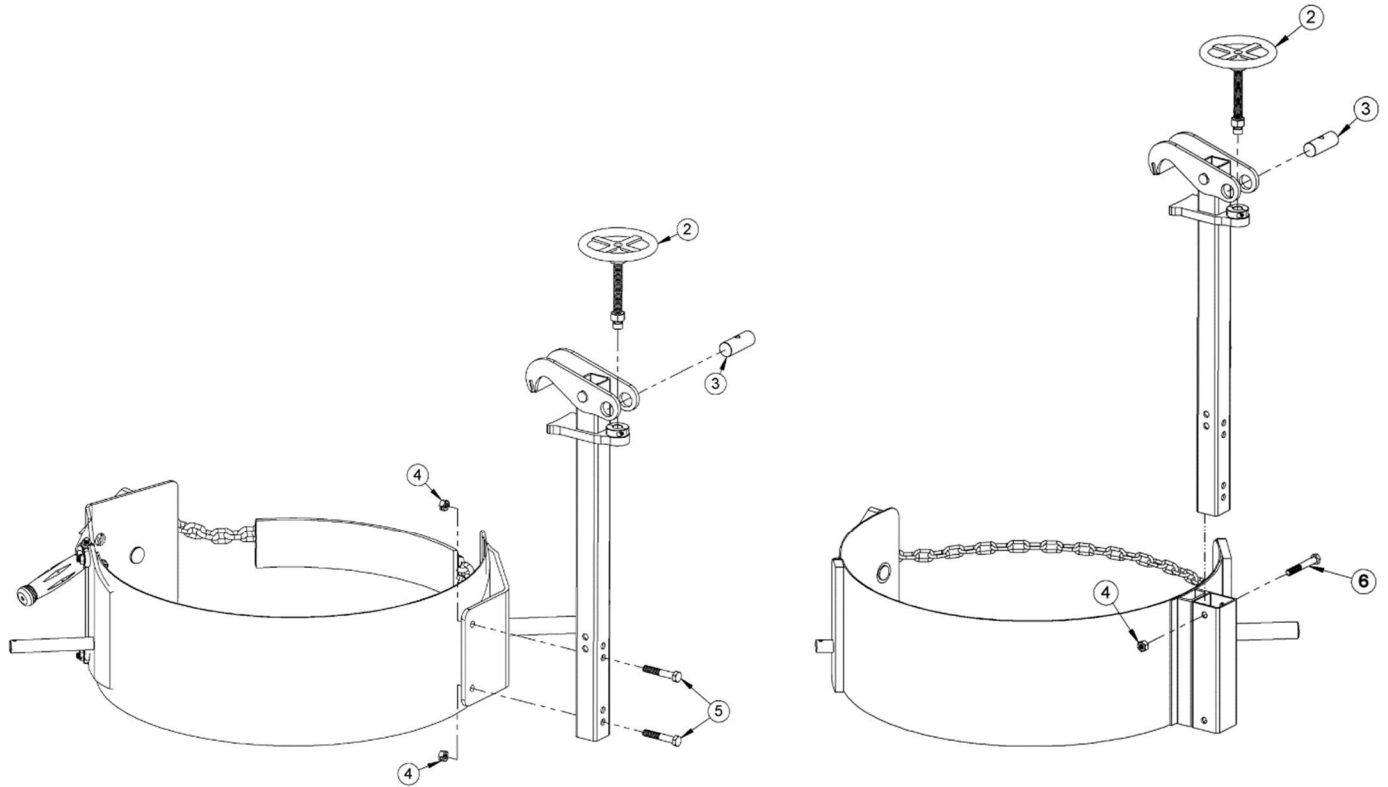


Kit 4560M-P

Rim Clamp Assembly, Spark Resistant

SN 0616 to Current (MMYY) or 400000 to Current



ITEM	QTY	PART	DESCRIPTION
2	1	3616-P	HANDWHEEL ASM, 4", 3540-P 185R
3	1	3510-P	THREADED BARREL, RIM CLAMP
4	2	1169-P	NUT, 3/8-16 REV HEX LOCK
5	2	82-P	HHCS, 3/8-16 X 2-1/4 GR2
6	1	1315-P	HHCS, 3/8-16 X 2-3/4 GR2