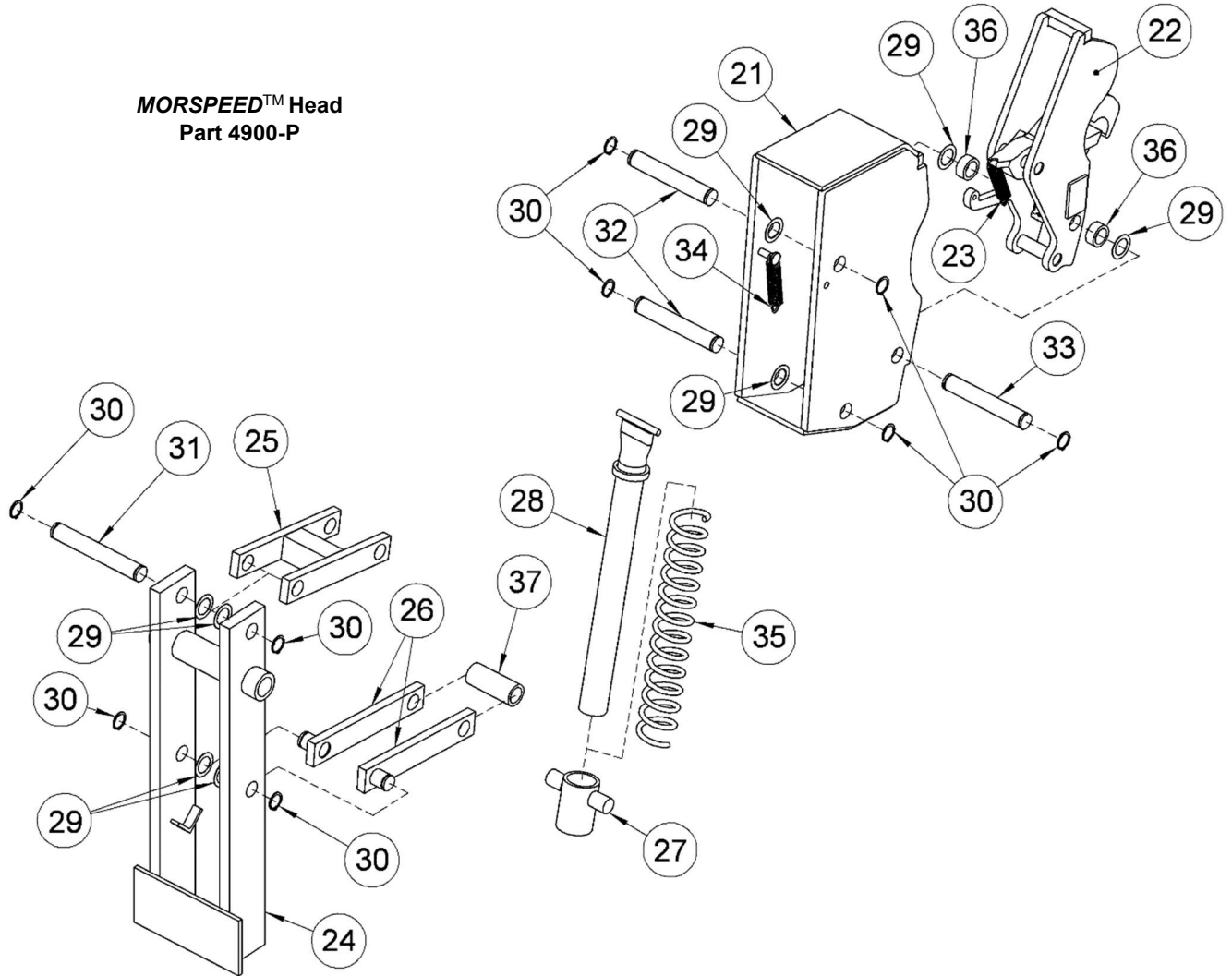


MORSPEED™ Head
Part 4900-P



Part 4900-P

MORSPEED™ Head

SN 1010 to Current (MMYY) or 275611 to Current

ITEM	QTY	PART	DESCRIPTION
21	1	4935-P	HOUSING, MORSPEED, '10
22	1	4986-P	INNER HEAD ASM, MORSPEED '10
23	1	2973-P	SPRING, MORSPEED, YELLOW
24	1	4989-P	HEAD MOUNT SLIDE WELD, MS
25	1	4994-P	LINK WELD, TOP, 5.77 MS
26	2	5001-P	LINK WELD, BOTTOM, 6.16 MS
27	1	4997-P	SOCKET WELD, SPRING, MS
28	1	5004-P	POST WELD, COIL SPRING, MS
29	10	4988-P	WAVE DISC SPRING, 5/8", .01"
30	10	5008-P	SNAP RING, EXTERNAL, 5/8"
31	1	5011-P	PIN, GROOVE, 5/8 X 4.063 C MS
32	2	5009-P	PIN, GROOVE, 5/8 X 3.688 C MS
33	1	5010-P	PIN, GROOVE 5/8 X 3.688 C HARD
34	1	926-P	SPRING, MORSPEED, MEDIUM 2-3/4
35	1	3003-P	SPRING, COIL, BACK REST, 929-P
36	2	5012-P	SPACER, .375 INNER JAW, MS
37	1	5018-P	SPACER, 2.125" BOTTOM LINKS MS