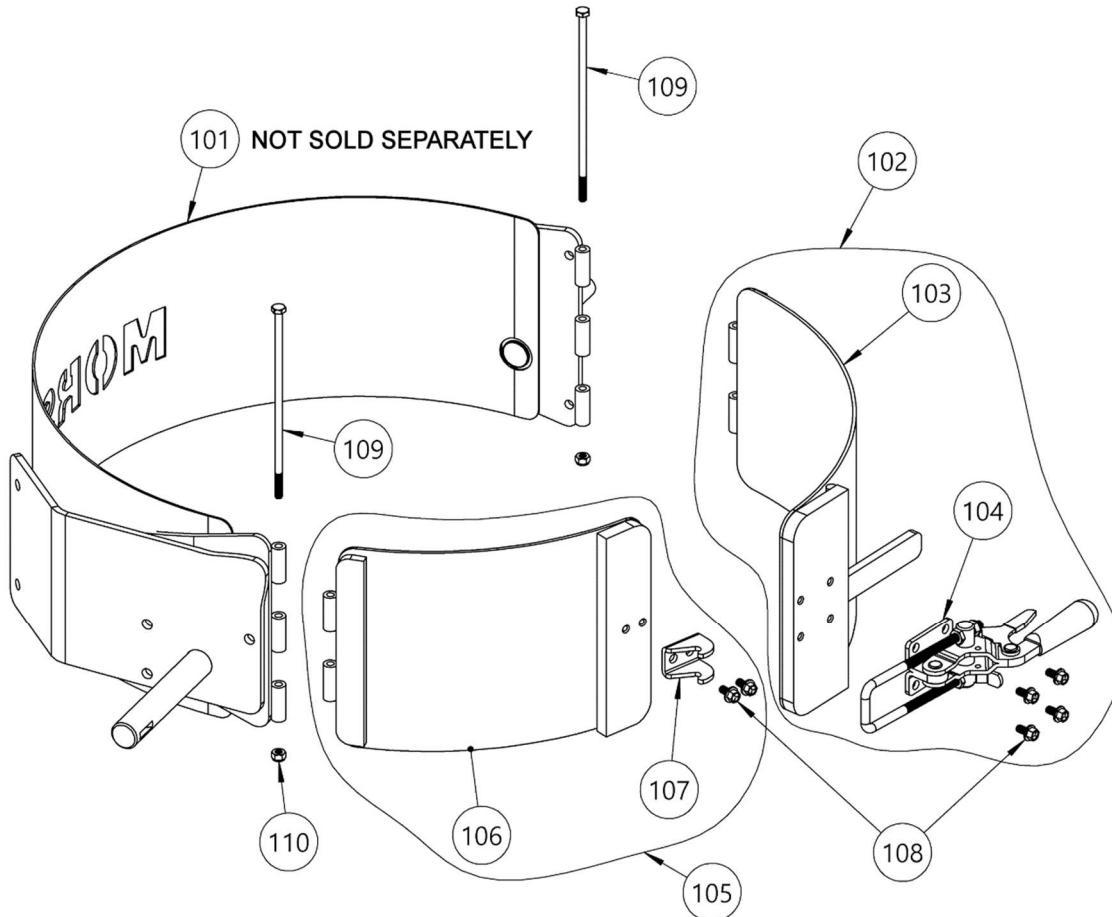


Used on:

- Model 185G and 185G-HD with Serial Number 0616 to Current (MMYY) or 400000 to Current
- Model 285G and 285G-HD with Serial Number 0616 to Current (MMYY) or 400000 to Current
- 400 Series with Option G-400 and serial number 0616 to Current (MMYY) or 400000 to Current
- 500 Series with Option G-400 and serial number 264427 to Current



ITEM	QTY.	PART NUMBER	DESCRIPTION
101	1	4210G-P	SADDLE WELD, MOR, 3PC (NOT SOLD SEPARATELY)
102	1	5933-P	HINGE CPT, CLAMP, 3PC, MOR
103	1	5933W-P	WELD, HINGE BAND, CLAMP 3PC
104	1	6018-P	TOGGLE CLAMP, W/ 6" U, 5000G-P
105	1	5934-P	HINGE CPT, CATCH, 3PC, MOR
106	1	5934W-P	WELD, HINGE BAND, CATCH 3PC
107	1	5932-P	CATCH, 341-R TOGGLE, CAMLOCK
108	6	4064-P	HHCS, 1/4-20 X 1/2 SER FLG
109	2	1296-P	HHCS, 1/4-20 X 7-1/2 GR5
110	2	1518-P	NUT, 1/4-20 NYLON LOCK