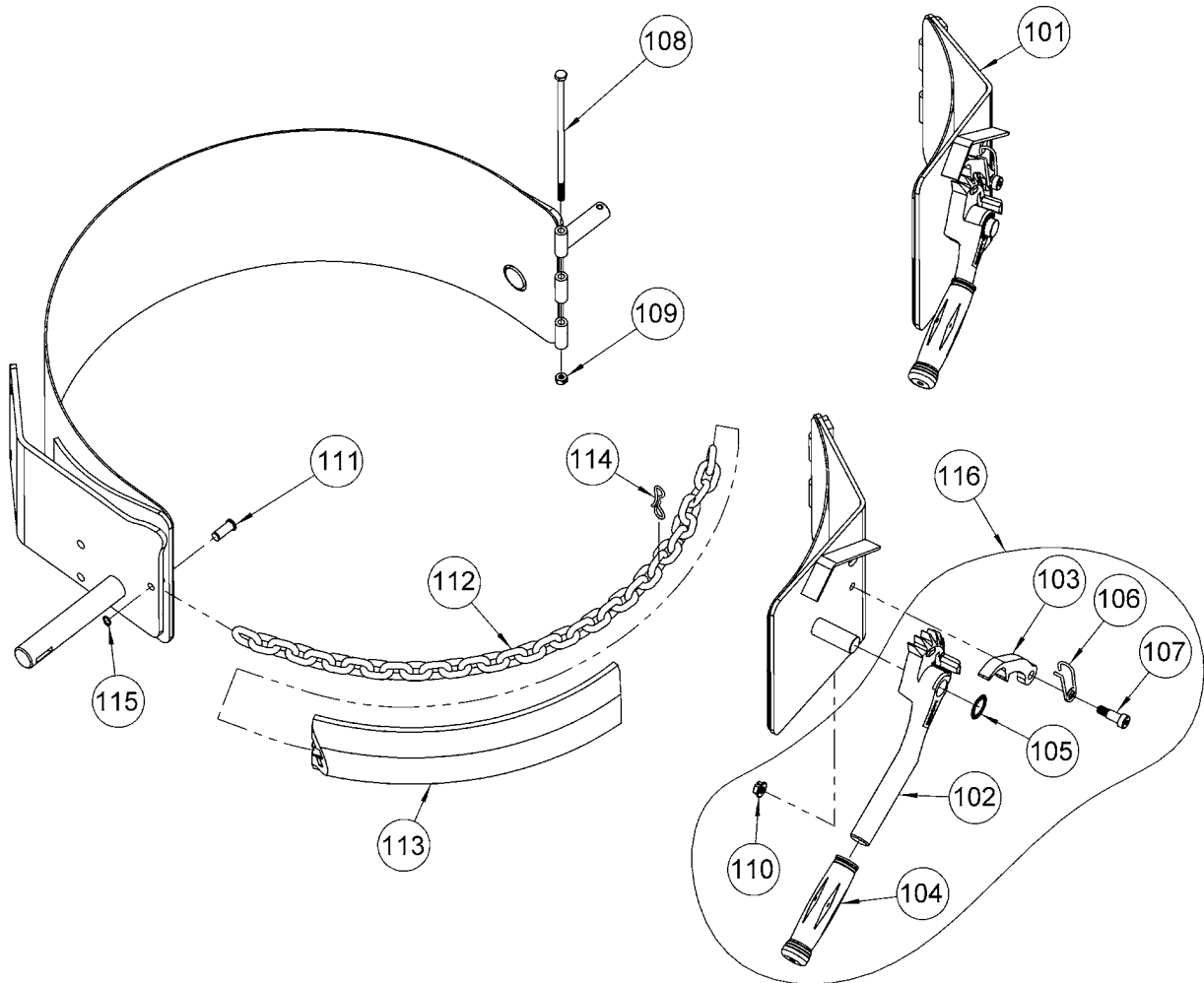


MORcinch Drum Holder Assembly

Used on:

- 185AM Series with Serial Number 0409 to ____ (MMYY)
- 185AM-HD Series with Serial Number 0309 to ____ (MMYY)
- 285AM and 285AM-HD Series with Serial Number 0209 to ____ (MMYY)
- 400AM Series with Serial Number 0409 to ____ (MMYY)
- 510M, 520M, 515M and 525M Series with Serial Number 242094 to ____



ITEM	QTY.	PART #	DESCRIPTION
101*	1	4214M-P	RATCHET HINGE CPT, MOR, SR
102	1	165SS-P	RATCHET, STEEL-IT
103	1	168-P	PAWL, WITH DRILLED HOLE
104	1	4409-P	GRIP, HANDLE 7/8" X 4-3/4" RED
105	1	710-P	RETAINER, RATCHET PUSH NUT 3/4
106	1	169-P	SPRING, PAWL
107	1	170-P	SCREW, 3/8 DIA X 5/8 SHOULDER
108	1	1296-P	HHCS, 1/4-20 X 7-1/2 GR5

ITEM	QTY.	PART #	DESCRIPTION
109	1	1297-P	NUT, 1/4-20 REV HEX LOCK
110	1	4178-P	NUT, 5/16-18 FLANGE LOCK, MOR
111*	1	4172SS-P	PIN, CINCH CHAIN, 5000M-P
112*	1	4408-P	CHAIN, CINCH, 9/32 SS, 38 LINK
113*	1	4414-P	COVER, CINCH CHAIN, FLEX PVC
114	1	4710-P	PIN, BOW TIE COTTER, MOR
115*	1	4744SS-P	SNAP RING, EXTERNAL, 3/8" SS
116	1	165KITM-P	KIT, RATCHET TIGHTENER, SR

* Recommended spare parts.