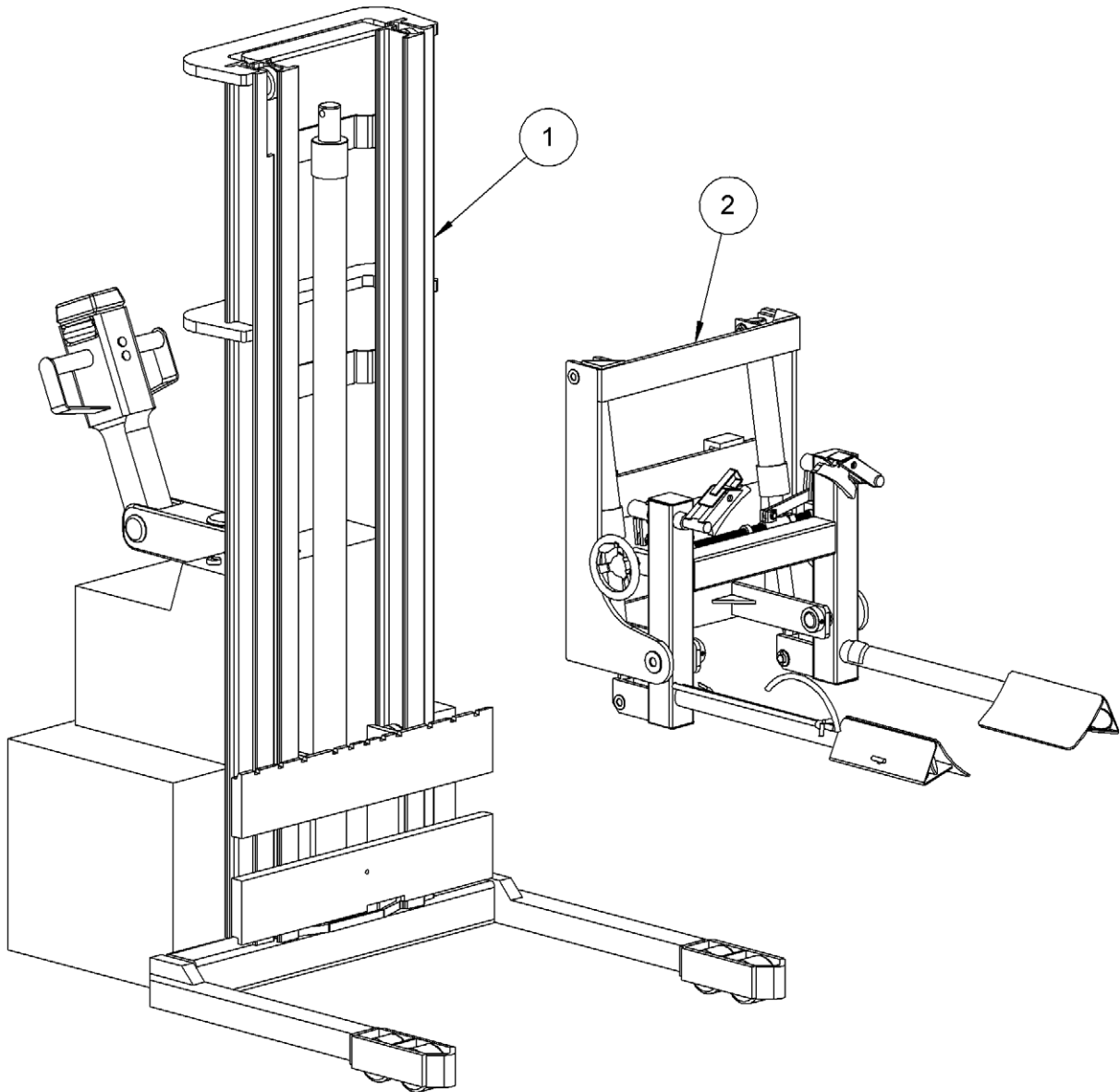


Parts List and Diagram

for Morse Part # 5272-P Yoke Assembly
 used on Model # 910 < PILOT > Power-Propelled Drum Racker
 with Serial number 262703 to 267141



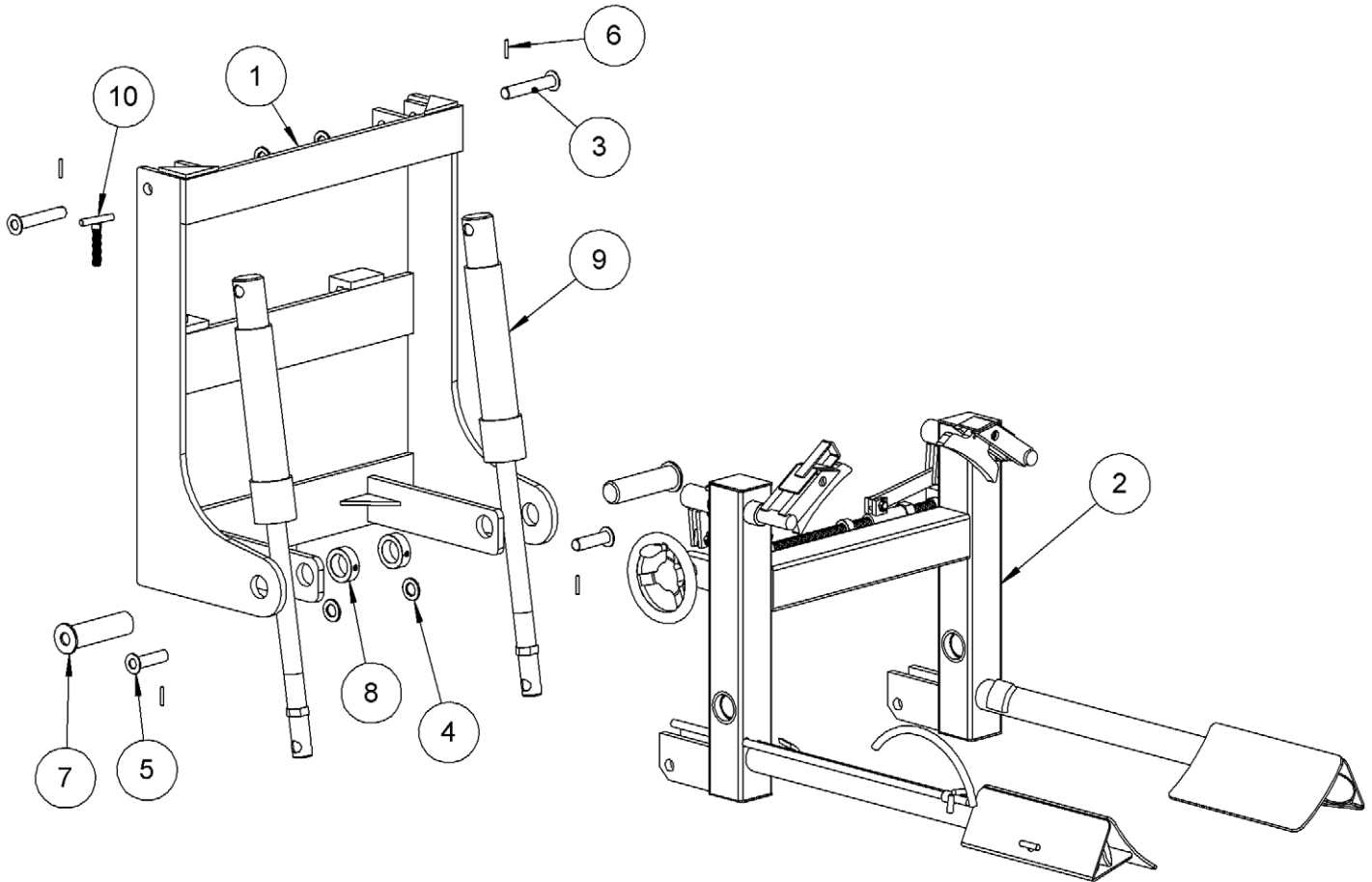
ITEM NO.	PART NUMBER	DESCRIPTION	QTY.
1	5239-P	BASE UNIT, PDM STRADDLE TRUCK	1
2	5272-P	YOKE ASM, MORSTAK, ITA2	1

Parts List and Diagram

for Morse Part # 5272-P Yoke Assembly

used on Model # 910 < PILOT > Power-Propelled Drum Racker

with Serial number 262703 to 267141



ITEM NO.	PART NUMBER	DESCRIPTION	QTY.
1	5273-P	YOKE WELD, MORSTAK, ITA2	1
2	3955-P	DRUM GRAB ASM, MORSTAK, 600	1
3	2587D-P	CLEVIS PIN, TILT CYL DEAD 600	2
4	55-P	WASHER, 3/4 SAE FL 1-1/2 OD	4
5	2587L-P	CLEVIS PIN, TILT CYL LIVE 600	2
6	64-P	ROLL PIN, 3/16 X 1-1/4	4
7	3048-P	PIN, DRUM GRAB, MORSTAK 600	2
8	570-P	COLLAR, 1-1/2" ID	2
9	4418-P	CYLINDER, 2 X 10, SAE ADJ CLEV	2
10	58-P	SET SCREW, LOCK TEE, 285	1