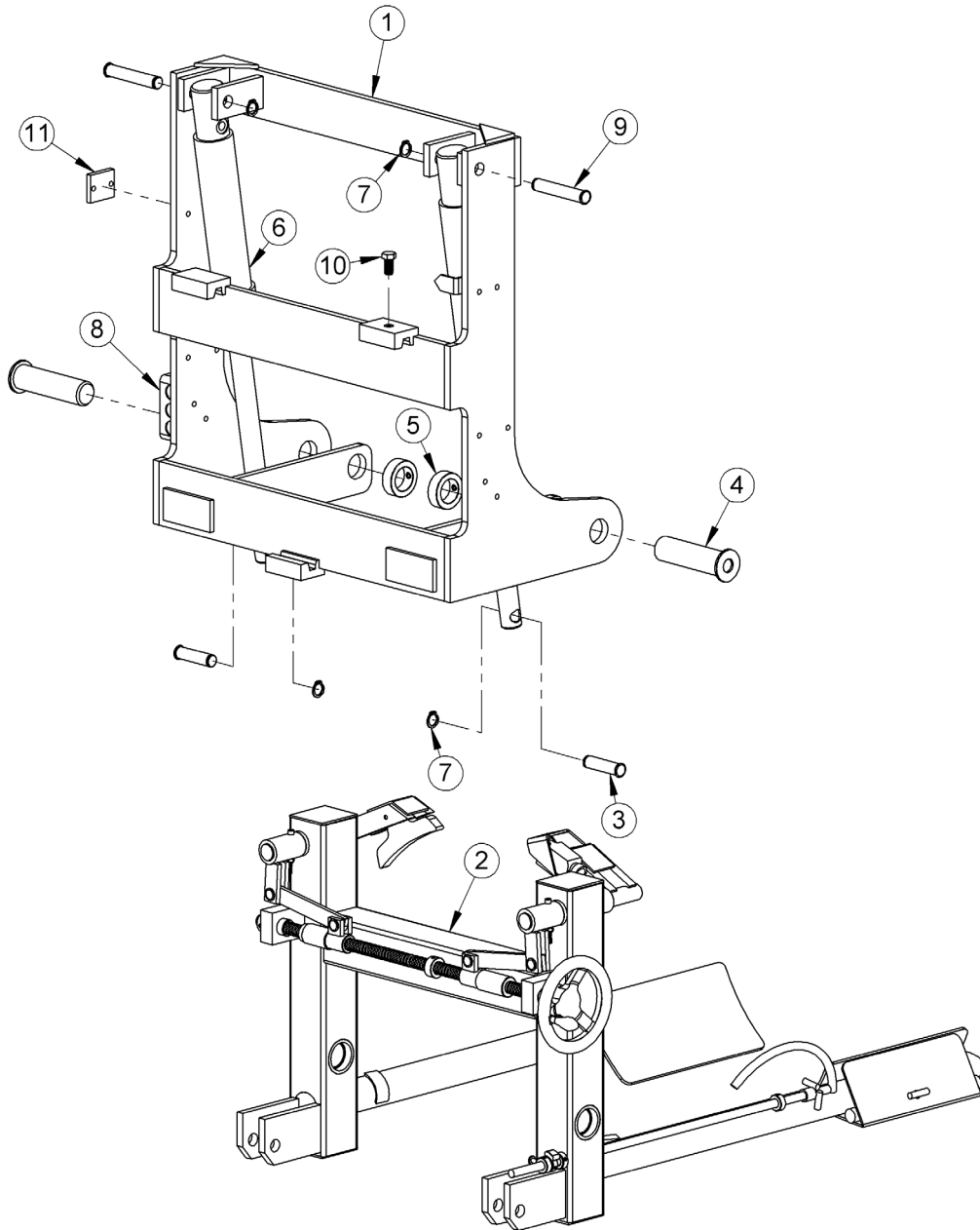
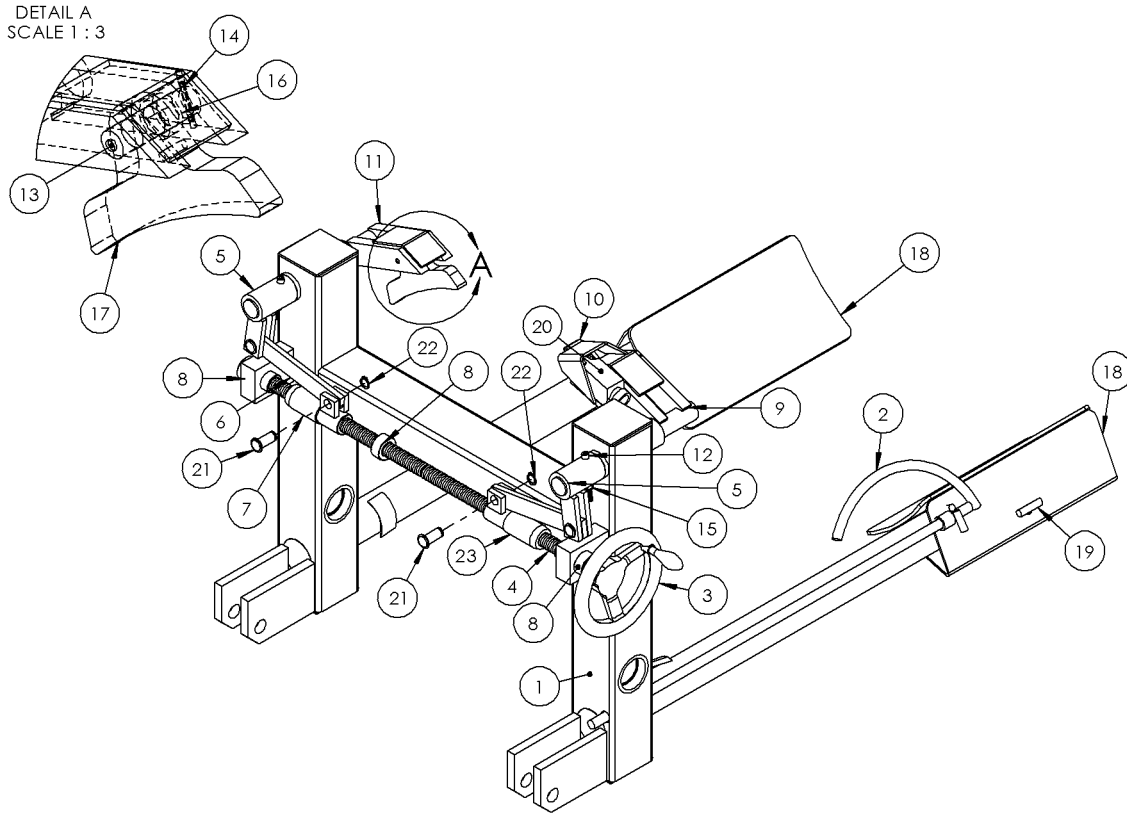


Parts List and Diagram for Morse Part # 5272-P Yoke Assembly
 used on units with Serial number 271185 to 412237



ITEM NO.	PART NUMBER	DESCRIPTION	QTY.
1	5273-P	YOKE WELD, MORSTAK, ITA2	1
2	3955-P	DRUM GRAB ASM, MORSTAK, 600	1
3	5585-P	PIN, GROOVE, 3/4 X 2.61	2
4	3048-P	PIN, DRUM GRAB, MORSTAK 600	2
5	570-P	COLLAR, 1-1/2" ID	2
6	5522-P	CYLINDER, 2 X 10, SAE ADJ CLEV	2
7	5330-P	SNAP RING, EXT, HD, .078, 3/4"	4
8	3079-P	JUNCTION BOX, MORSTAK 600	1
9	5596-P	PIN, GROOVE, 3/4 X 4.00	2
10	4364-P	HHCS, 1/2-13 X 1" GR2	1
11	5595-P	SPACER, 5/16 X 2 X 1.75	1

Parts List and Diagram for Morse Part # 5272-P Yoke Assembly
used on units with Serial number 271185 to 412237



ITEM NO.	PART NUMBER	DESCRIPTION	QTY.
1	3956-P	DRUM GRAB WELD, MORSTAK, 600	1
2	2598-P	DRUM PRESENCE WELD, 600	1
3	2869-P	HANDWHEEL, 6" ALUM, 5/8" BORE	1
4	3964-P	3/4-10 THREADED ROD WELD 600	1
5	3965-P	DRIVEN TUBE WELD, GRAB 600	2
6	3961-P	LINK, DRUM GRAB, 600	2
7	5669WL-P	CLEVIS WELD, LH GRAB 611	1
8	15-P	COLLAR, 3/4" ID	3
9	3020-P	ARM WELD, R CLAMP, MORSTAK 600	1
10	2934-P	CLAMP PAD W/ HOLE WELD, 600	1
11	3022-P	ARM WELD, L CLAMP, MORSTAK 600	1
12	1040-P	SHCS, 1/4-20 X 2-1/2	2
13	2922-P	PIN, CLAMP PAD RETAINER, 600	2
14	1675-P	ROLL PIN, 1/8 X 7/8	2
15	1518-P	NUT, 1/4-20 NYLON LOCK	2
16	5012-P	SPACER, .375 INNER JAW, MS	2
17	3023-P	CLAMP PAD W/ HOLES, 600	1
18	3283-P	DRUM PAD WELD, 600	2
19	3282-P	PIN, RETAINER, DRUM PAD, 600	2
20	3190-P	SWITCH, DC LIMIT, 600	1
21	5344-P	PIN, GROOVE, 1/2 X 1.031	4
22	5345-P	SNAP RING, EXT, HD, .05, 1/2"	4
23	5669W-P	CLEVIS WELD, RH GRAB 611	1