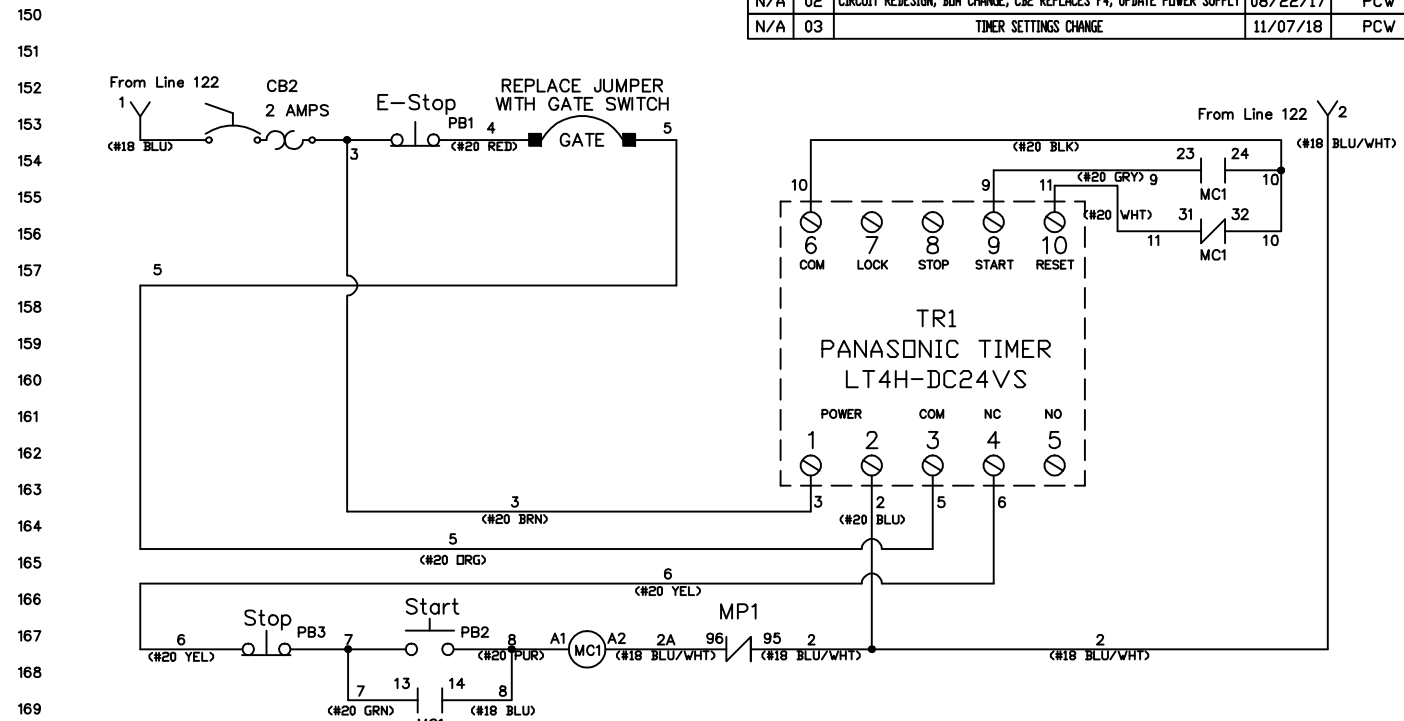
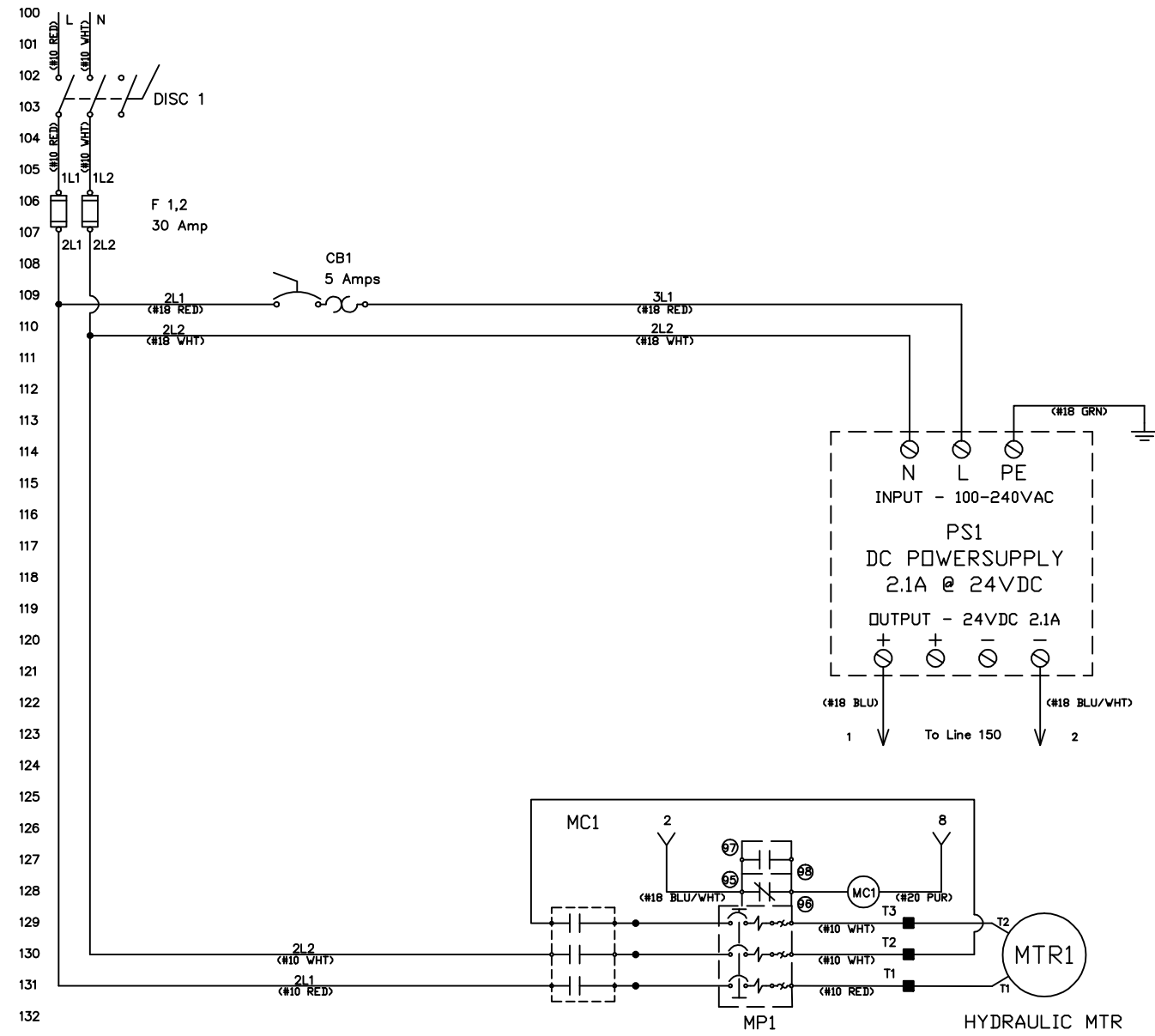
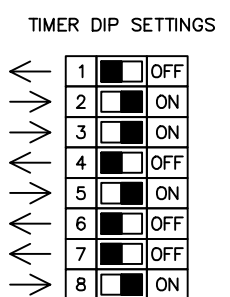


MAINS POWER
115 VAC 1 Phase
30 AMP



MANUFACTURER	PART NUMBER	DESCRIPTION	QUANTITY
Iboco	T1-0510G	WIRE DUCT	1
Electrotech	WR-35AL/S	DIN Rail	1
Eurobox (EXM)	5412 ESCH141208	Enclosure, NEMA 4-12, 14" x 12" x 8"	1
Ferraz Shawmut	ATDR30	Class CC Fuse, 30 Amp, Time Delay	2
McMaster-Carr	5891T111	Electrical Hazard Warning Label	2
Mencom	PCG-1/2X	Cable Gland	1
Mencom	PCG-1/2E	Cable Gland	2
Mencom	212PA	Nut	3
Panasonic	LT4H-DC24VS	LT4H Digital Timer, 24VDC, Relay Output	1
Emerson-Sola	SVL 2-24-100	Power Supply, Input 100-240VAC, Output 24VDC @2.1A	1
Sprecher+Schuh	CA7-23E-10-24E	Contactor	1
Sprecher+Schuh	CA7-PV-S11	Auxiliary Contact Block, 1NO/1NC	1
Sprecher+Schuh	CT7N-23-C25	Overload Relay 21 to 25A	1
Sprecher+Schuh	D7P-E202PX01	Pushbutton, Extended Black "STOP", 1NC	1
Sprecher+Schuh	D7P-F301PX10	Pushbutton, Flush Green "START", 1NO	1
Sprecher+Schuh	D7M-MT44MX01S	E-Stop Operator	1
Sprecher+Schuh	D7-15YSE112	E-Stop Inscription Ring	1
Sprecher+Schuh	LA7-40-1753	Base Mounted 3 Pole Switch	1
Sprecher+Schuh	LFS2-N-6-175	Switch Handle Assembly	1
Sprecher+Schuh	LA2-G3393	Metal Operating Shaft	1
Sprecher+Schuh	31296	Fuse Holder, 2-Pole, CC Class	1
Sprecher+Schuh	V7-WG6	Ground Terminal	1
Sprecher+Schuh	V7-W6	Terminal	4
Sprecher+Schuh	V7-W4	Terminal	6
Sprecher+Schuh	V7-EA35	End Anchor	9
Sprecher+Schuh	V7-EB3	End Barrier	1
Sprecher+Schuh	V7-PP3	Partition	3
Sprecher+Schuh	V7-SM6X12	Marker Card	1
Sprecher+Schuh	L8-5/1/B	Circuit Breaker, 5 Amp, B-Curve	1
Sprecher+Schuh	L8-2/1/B	Circuit Breaker, 2 Amp, B-Curve	1
Sprecher+Schuh	V7-CJ6-2	Center Jumper	2



DATE	REV	DESCRIPTION	DATE	APPROVED
12/06/16	01	UPDATED WIRE SIZE/COLORS, MAINS POWER, GATE SWITCH		PCW
08/22/17	02	CIRCUIT REDESIGN, BOM CHANGE, CB2 REPLACES F4, UPDATE POWER SUPPLY		PCW
11/07/18	03	TIMER SETTINGS CHANGE		PCW

145

146

147

148

149

150
151
152
153
154
155
156
157
158
159
160
161
162
163
164
165
166
167
168
169
170
171
172
173
174
175
176
177
178
179
180
181
182
183
184
185
186
187
188
189
190
191
192
193
194
195
196
197
198
199

THIS MATERIAL IS THE EXCLUSIVE PROPERTY OF APCI APPLIED AUTOMATION CONTROLS INC. AND MUST BE RETURNED TO APCI IMMEDIATELY UPON REQUEST. THIS MATERIAL AND INFORMATION ILLUSTRATED OR CONTAINED HEREIN MAY NOT BE REPRODUCED, COPIED, USED OR TRANSMITTED IN WHOLE OR IN PART IN ANY WAY WITHOUT THE PRIOR WRITTEN CONSENT OF APCI.

DESIGNED BY
PCW
CHECKED BY
PCW
DATE DRAWN
07/06/16
DATE GOOD
11/07/18

115VAC 50/60HZ 1PH 2HP

APCI
APPLIED AUTOMATION CONTROLS INC.
1240 WOLF STREET, SYRACUSE NY 13208
PHONE 315-453-5670 FAX 315-453-5681

PROJECT
AACI070616A
SHEET
1 of 1
REV
03