

CONTENTS

	Page
Receiving Procedures.	1
Warranty.	1
Safety Information.	2
Machine Description.	3
Options and Accessories.	3
Assembly Instructions.	4 - 5
Operating Instructions.	6
Maintenance.	6
Parts Lists and Diagrams.	7 - 8

Operator's Manual for Morse PailPRO™ 5-Gallon Pail Handler Model 83

Serial Number 0819 to 0822 (MMYY)



Receiving Procedures

Every Morse drum handler is inspected prior to shipping. However, damage may be incurred during transit.

- Check for visible damage. If you choose to accept damaged freight, always sign noting the damage on the **Bill of Lading**.
- Document the damage and have the truck driver sign. We recommend keeping a digital camera at your receiving dock for this purpose.
- Open packages expeditiously to check the condition of the goods. There is only a 24 hour window to notify the carrier of any concealed damage.
- Immediately **report all damage to the shipping company!** Then you may contact Morse for assistance with your freight claim.
- Morse Manufacturing will not be held responsible for any damaged freight that is not signed for as damaged.

Limited 2 Year Warranty

Morse drum handling equipment is guaranteed against defects in workmanship or materials for two years when used properly within its rated capacity. Warranty does not cover wear from normal use or damage from accident or abuse. Motors and other purchased parts carry the warranties of their manufacturers.

For warranty claims, contact your Morse Dealer to obtain a return authorization number, and for return freight advice. Return freight must be prepaid.

In all instances, liability is limited to the purchase price paid or to repairing or replacing the product. Customer assumes liability for any modifications, unauthorized repairs or parts substitution.

Safety Information

While Morse Manufacturing Co. drum handling equipment is engineered for safety and efficiency, a high degree of responsibility must be placed upon the machine operator to follow safe practices, based primarily on common sense, upon which true safety depends.


Failure to follow the safety precautions in this manual can result in personal injury or property damage. Observe the same precautions as with similar machinery where carelessness in operating or maintenance is hazardous to personnel. Carefully read the safety precautions below and throughout this manual.


Review the Material Safety Data Sheet(s) for the material(s) in the drum(s) and take all necessary precautions. Safety shoes, work gloves, hard hat and other personal protective devices are recommended.


Prior to initial use, inspect all moving parts and test rotation of hand wheel and saddle assembly. Inspect saddle assembly for proper operation. Perform necessary load test, inspections, operator training, etc.

Operator's Manual for Morse Model 83
Serial Number 0819 to 0822 (MMYY)

Safety Information (continued)

 **DANGER** - Indicates a situation which, if not avoided, will result in serious injury or death. This signal word is limited to the most extreme situations.

 **WARNING** - Indicates a situation which, if not avoided, could result in serious injury or death.

 **CAUTION** - Indicates a situation which, if not avoided, can result in damage to the machine.



DANGER - Stay Clear of Power Lines

KEEP WELL CLEAR OF POWER LINES. Never approach a power line. Current in a high voltage line may arc some distance from the wire to the steel framed, grounded machine.



WARNING

The PailPRO™ Pail Handler is designed to handle one can or pail of the types listed at the top of page 3, under **Machine Description**. *DO NOT* attempt to handle any other type of drum or object. *DO NOT* exceed the weight capacity of 150 Lb. (68 kg).



WARNING - Level Floors Only

For operation only on clean, level floors of suitable bearing capacity. Do not use on sloped surfaces, ramps, irregular or debris strewn floors.



WARNING - Do Not Modify the Unit

Under no circumstances should any modifications be made to the Morse machinery without factory authorization. Any modifications may void the warranty. This machine was designed to perform a specific job and alterations may result in injury to operator or machine.



WARNING - No Loose Fitting Clothing

Wear close-fitting clothing and safety equipment appropriate to the job. Loose fitting clothing may become caught on the machinery and cause severe personal injury.



WARNING - Stay Clear of Raised Pail

NEVER allow anyone to be below any part of a raised pail handler or pail. Remain behind the push handle while handling a pail.



WARNING - Do NOT Disengage the clamp screw knob while pail is off the Ground

When the pail is in the upright position, lower to the floor before releasing the clamp screw knob.



CAUTION - Do Not Transport with Can or Pail Raised

ALWAYS LOWER THE PAIL HOLDER TO LOWEST POSITION BEFORE TRANSPORTING. The unit can become unstable when transporting with a raised load.



CAUTION - Wear Safety Shoes

Wear safety shoes with non-slip soles and hard toe protection.



WARNING: This product can expose you to chemicals including barium sulfate, cobalt, titanium dioxide, and 2-methylimidazole, which are known to the State of California to cause cancer, and bisphenol-A, which is known to the State of California to cause birth defects or other reproductive harm.

For more information go to www.P65Warnings.ca.gov

**Operator's Manual for Morse Model 83
Serial Number 0819 to 0822 (MMYY)**

Machine Description

The PailPRO™ Pail Handler is designed to handle one pail with 11" to 12" (28 to 30.5 cm) diameter. *DO NOT* attempt to handle any other type of container or object. *DO NOT* exceed the capacity of 150 Lb. (68 kg), or capacity of 75 Lb. (34 kg) maximum weight if counterweight option is used.

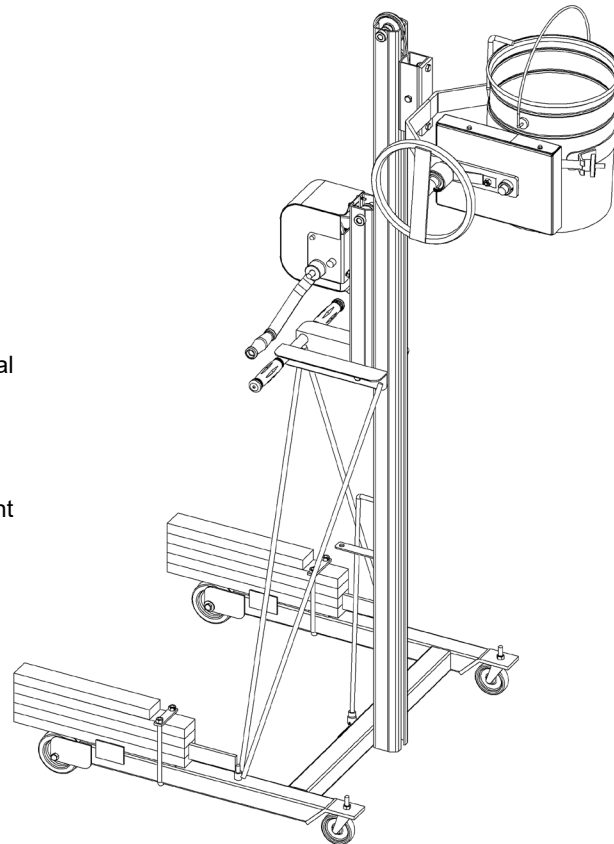
Options and Accessories

Counterweight Kit Option

Kit # 3930-P

The optional counter weight kit (Part # 3930-P) allows the Model 83 to be configured as an extended reach dispensing unit. Easily converted, this option provides over one foot of reach beyond the front casters. The capacity is reduced to 75 Lb. (34 kg) with the optional counterweight kit.

Model 83 shown with optional counterweight kit in place. The base is reversed to allow pouring beyond the front wheels.



Hand Crank Option

Part # 5U-P

Order a Hand Crank to turn the pail in place of the hand wheel.

The hand crank is shown here with the MORStop Tilt-Brake which is standard on model 83 Pail Handler.



Operator's Manual for Morse Model 83
Serial Number 0819 to 0822 (MMYY)

Assembly Instructions

1. Carefully remove the contents of shipping carton.
2. Place the Base Weldment (item 17 in Figure A) on the floor.

A. Note: To assemble unit with optional counterweight, go to the instructions for the counterweight at this point. Place the mast weldment (item 11) onto the base as shown in Figure A. Align the mast rod tubes over the holes in the caster mount plates.

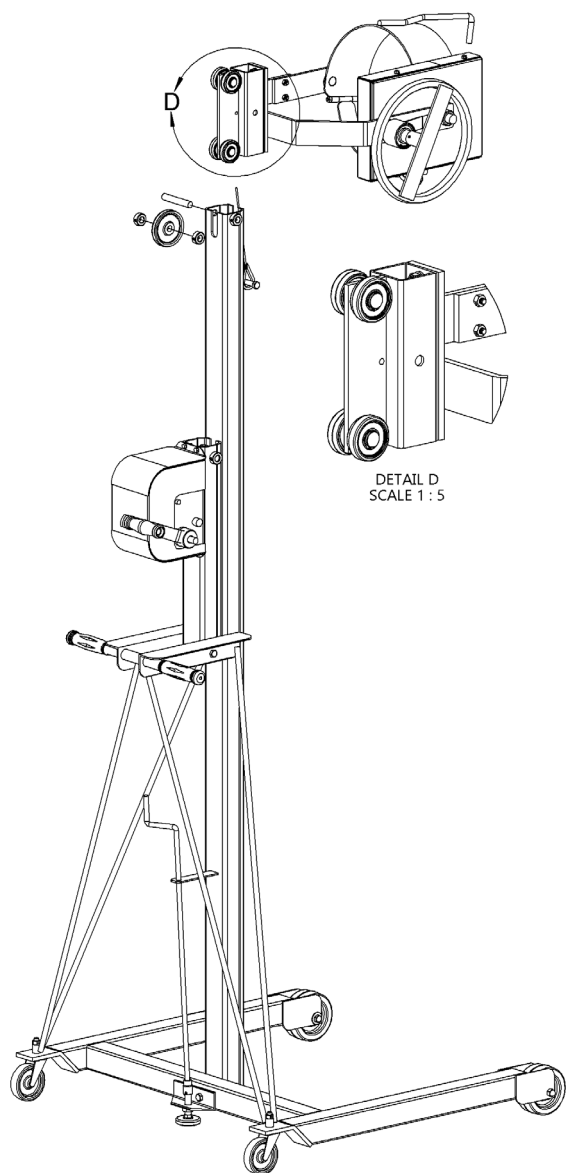


Figure B

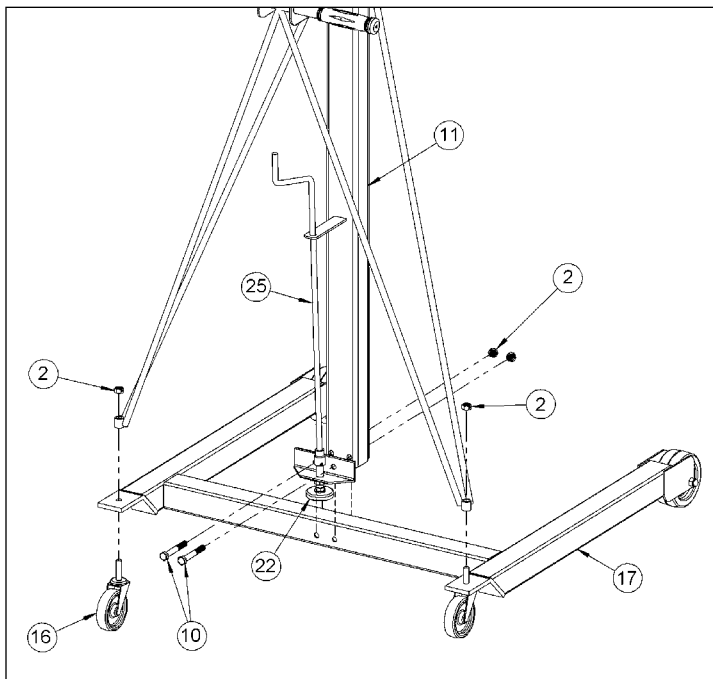


Figure A

B. Locate the floor lock crank weldment (item 25). Feed the crank handle up through the guide on the mast until the two holes in the floor lock angle line up with the two holes in the base tube. Bolt in place using the two 3/8-16 x 3" bolts (item 10). Do not install nuts at this point.

C. Align the two holes at the bottom of the mast channel with the two bolts installed in step B above. Secure the assembly with lock nuts (item 2). The floor lock crank should turn freely after the nuts are tightened.

D. Slide the swivel casters (item 16) stem into the caster plate hole and up through the mast rod tubes on each side. Secure with 3/8-16 nuts (item 2).

3. Locate the carriage assembly (item 12 in Figure B). Slide the rollers on the carriage assembly into the into the top opening of the mast. Lower to the floor.

Operator's Manual for Morse Model 83
Serial Number 0819 to 0822 (MMYY)

4. Locate the cable (item 5 in Figure C) on the winch and pull it out until the cable can wrap over the top pulley and reach down to the carriage assembly as shown in Figure C.
 - A. While holding the cable end in trolley tube on the carriage weldment and centered on the bolt hole, insert one 3/8-16 x 2-1/4 bolt (item 26) and secure with 3/8 lock nut (item 27).
 - B. Ensure that the cable travels over the two pulleys correctly and that the cable end is securely fastened to the carriage assembly.

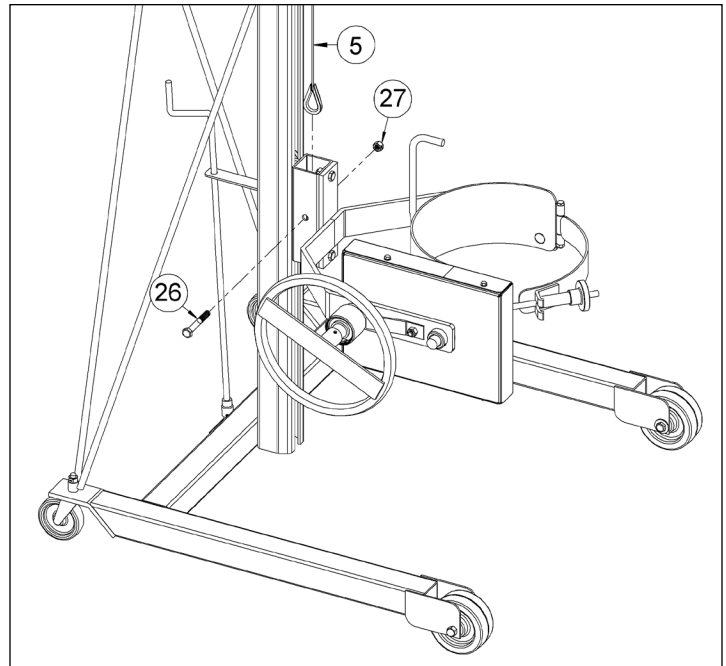


Figure C

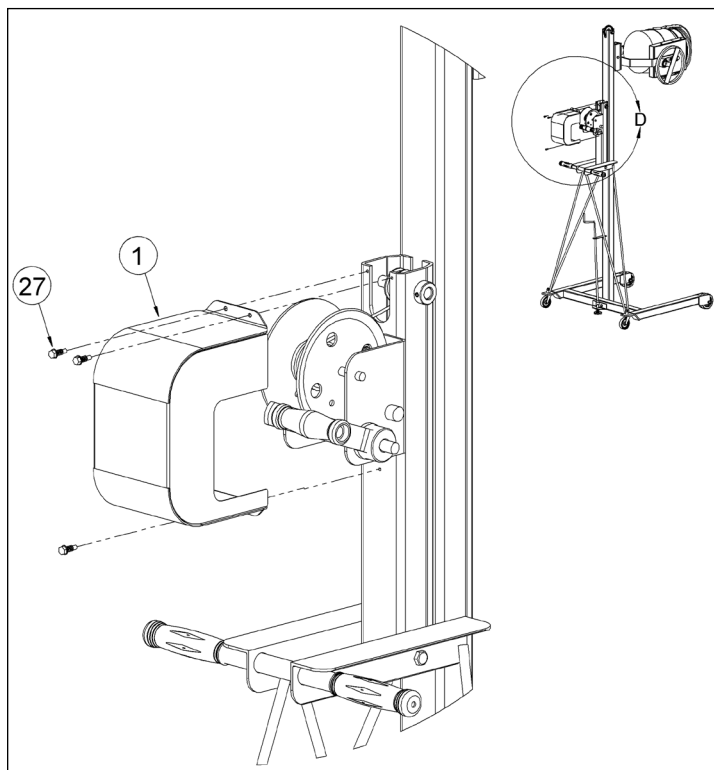


Figure D

5. The crank handle from the winch has been removed for shipping. Install the hand crank by removing the bolt, washer, spacer and spring from the winch and threading the crank onto the threaded brake shaft. Reinstall the above hardware to secure the crank in place.
6. The winch cover (item 1 in Figure D) is held in place using three screws (item 27).

**Operator's Manual for Morse Model 83
Serial Number 0819 to 0822 (MMYY)**

Operating Instructions

1. Push the Pail Handler to the pail.
2. Using the cable winch, crank the handle to position the pail holder assembly with the back band at the middle of the pail. (see Figure 1). If the pail has a pivoting wire handle, swing it to lay on the front side to clear the back band. With the front band hinge plate and clamp screw knob swung open, push the unit forward until the back band rests firmly against the pail. Engage the screw down floor lock.
3. **Attaching the pail:** First, swing pivoting wire handle to lay on the back band side of the saddle. Next, close the front band hinge plate tightly against the pail (see Figure 2). Swing the clamp screw knob and engage the threaded rod into the slot on the front band hinge plate as shown in Figure 2. Tighten the clamp screw knob to secure the pail into the saddle.
4. Crank the cable winch to lift pail clear of floor. Disengage floor lock. Roll to dispensing location.
5. Crank cable winch to raise pail to desired pouring height. Engage the screw-down floor lock. Tilt the pail forward until desired pouring angle. The pail will remain in this position.
6. When dispensing is complete, tilt pail back to upright position. Disengage the floor lock and lower the pail to transporting height; about 6" off the floor.
7. Push the unit to the pail storage area and lower to the floor. Engage the floor lock. Loosen the clamp screw knob until it can be released from the slot in the front band hinge plate. Roll Pail Handler away from pail.

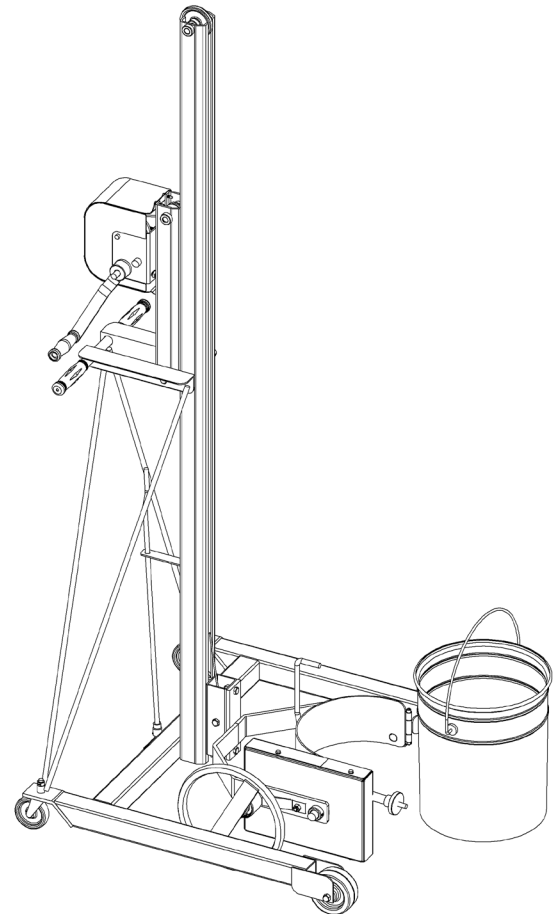


Figure 1

Maintenance

Periodic inspection for the general condition of structural and mechanical components is imperative for safe and efficient operation.

Periodically inspect all moving parts, framework, and contact areas for signs of wear, fatigue, or loosening. Tighten, adjust, or replace parts as necessary to prevent failure and maintain proper function.

Periodically lubricate vertical track rollers, casters, wheels, saddle shafts, and cable pulleys and/or shafts.

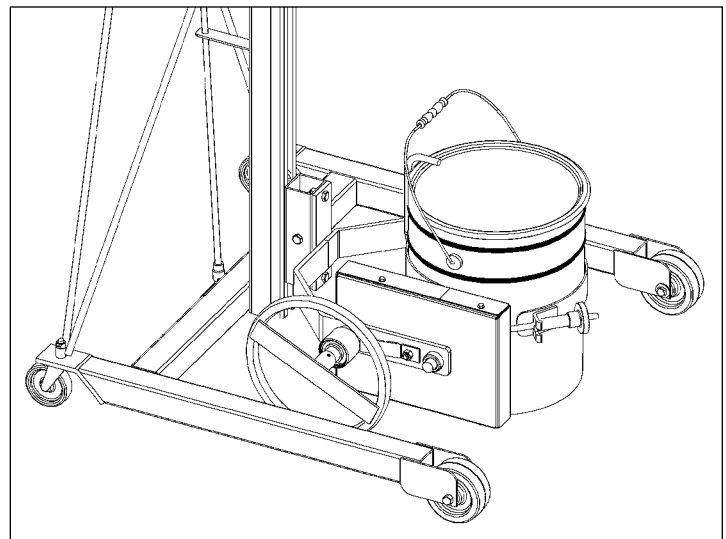
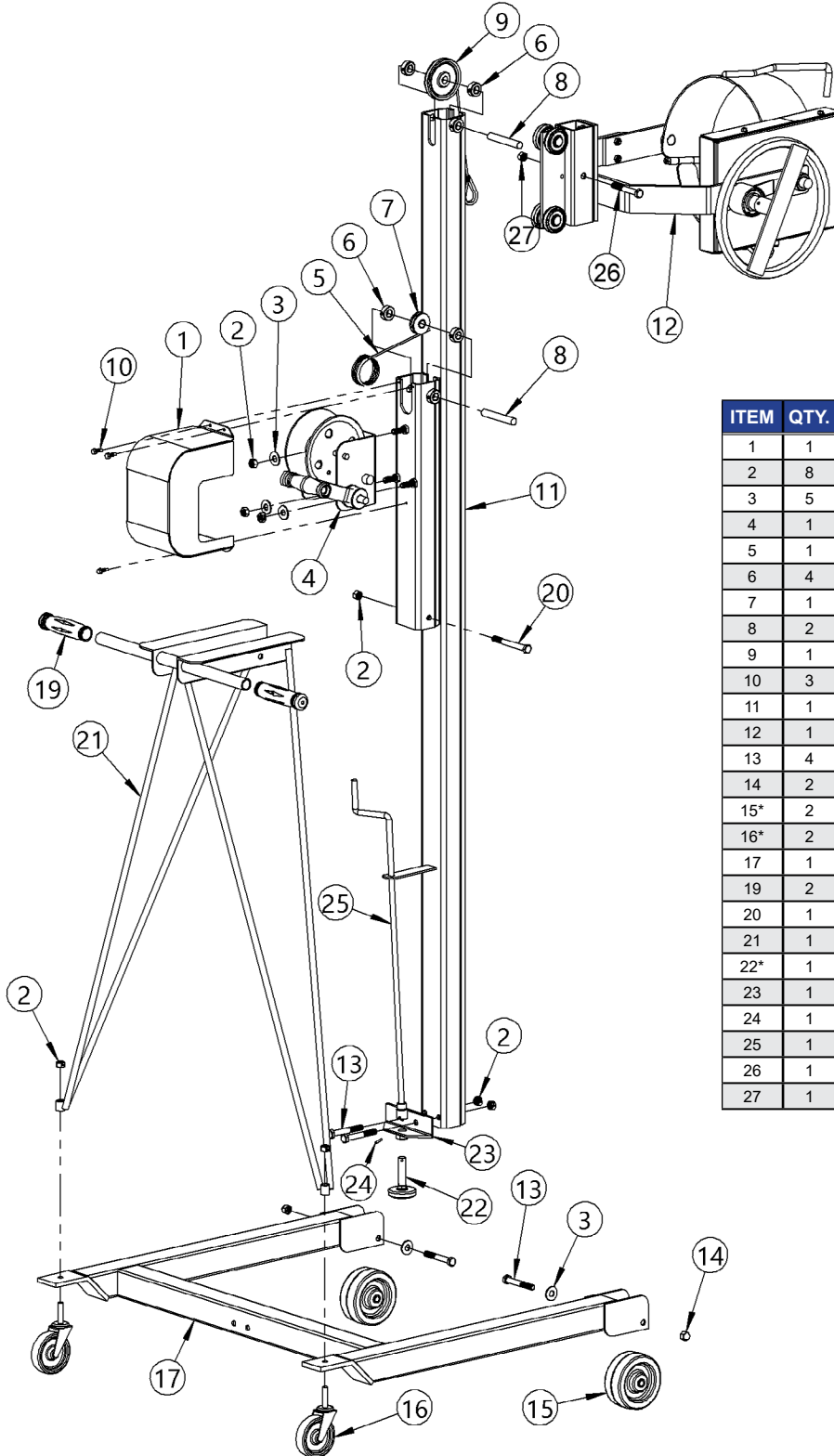


Figure 2

Operator's Manual for Morse Model 83
Serial Number 0819 to 0822 (MMYY)

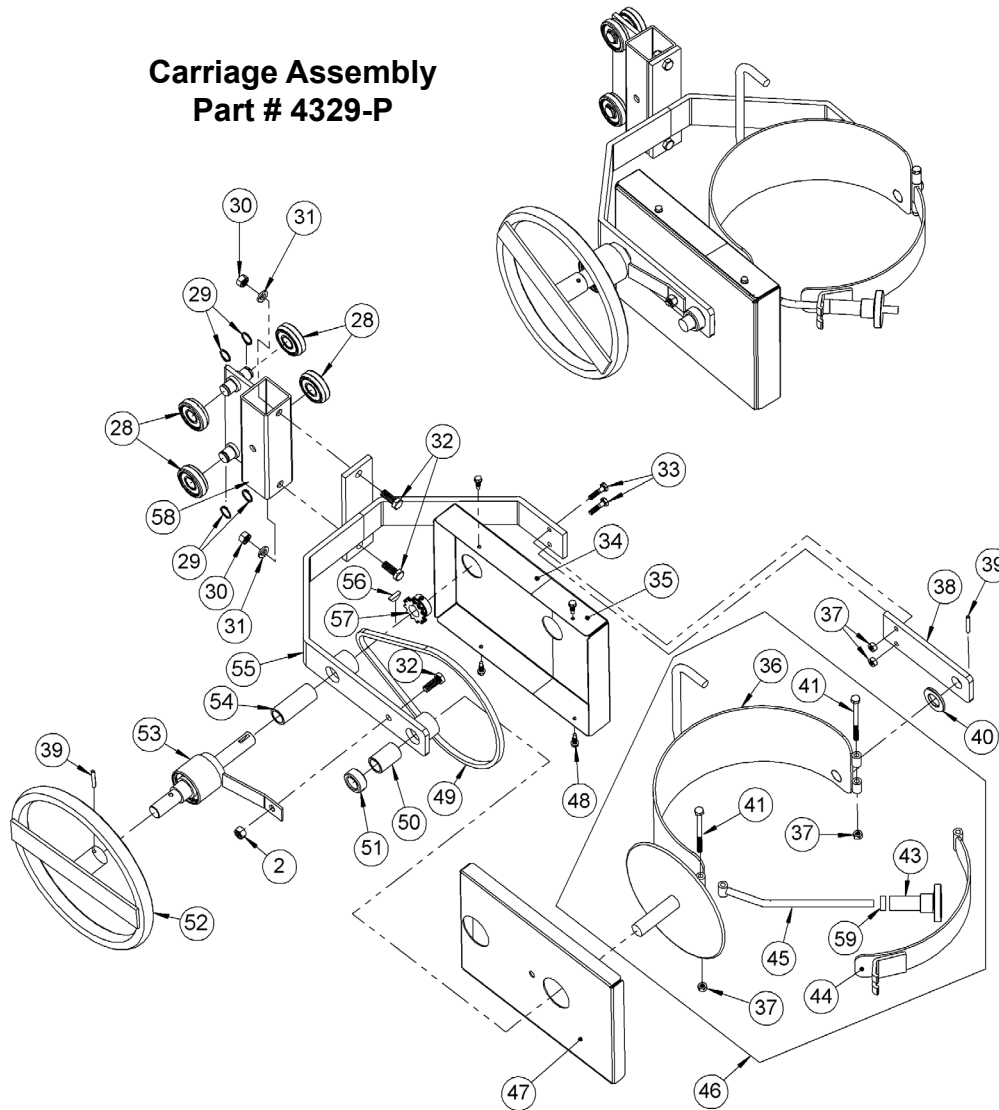
Base Assembly



ITEM	QTY.	PART #	DESCRIPTION
1	1	5685-P	COVER, WINCH, 83 LC
2	8	3981-P	NUT, 3/8 NYLON LOCK
3	5	1166-P	WASHER, 3/8 USS 1" OD
4	1	5063-P	WINCH, 83, 0411-
5	1	4365-P	WIRE CABLE CPT, 1/8", 83
6	4	1035-P	COLLAR, 1/2"
7	1	3911-P	SHEAVE, MID, 1-1/2 STEEL, 83
8	2	3803-P	SHAFT, PULLEY, 83
9	1	3798-P	TOP SHEAVE, 3" POLY, 83 PP
10	3	193-P	SCREW, TEK, 12-14 X 3/4 3 PT
11	1	4355-P	MAST WELD, 83
12	1	4329-P	CARRIAGE ASM, 83
13	4	1315-P	HHCS, 3/8-16 X 2-3/4 GR2
14	2	3921-P	NUT, 3/8-16 ACORN
15*	2	3885-P	WHEEL, 4 X 1-1/2, 83
16*	2	3789-P	CASTER, 3" SWIVEL, STEM, 83
17	1	3790-P	BASE WELD, 83
19	2	136-P	GRIP, HANDLE 7/8" X 4-3/4"
20	1	4381-P	HHCS, 3/8-16 X 3-1/2 GR5
21	1	4358-P	HANDLE WELD, 83
22*	1	8353-P	PAD FLOOR LOCK DRILLED, 83
23	1	3775W-P	ANGLE, FLOOR LOCK WELD, 83
24	1	1675-P	ROLL PIN, 1/8 X 7/8
25	1	8351W-P	CRANK WELD, FLOOR LOCK, 83
26	1	82-P	HHCS, 3/8-16 X 2-1/4 GR2
27	1	1169-P	NUT, 3/8-16 REV HEX LOCK

Operator's Manual for Morse Model 83 Serial Number 0819 to 0822 (MMYY)

Carriage Assembly Part # 4329-P



ITEM	QTY.	PART #	DESCRIPTION
28	4	4068-P	ROLLER, TROLLEY, 83
29	4	4071-P	SNAP RING, .669 ID, 83
30	2	149-P	NUT, 3/8-16 FIN HEX
31	2	1474-P	WASHER, 3/8 SPLIT LOCK
32	3	1572-P	HHCS, 3/8-16 X 1 GR2
33	2	1641-P	HHCS, 1/4-20 X 1 GR2
34	1	4163B-P	COVER, GEARS, INSIDE BACK 83
35	1	4163C-P	COVER, GEARS, INSIDE FRONT 83
36	1	3794-P	WELD, BACK BAND, 83
37	4	1518-P	NUT, 1/4-20 NYLON LOCK
38	1	4161-P	PLATE, IDLER, BOLT ON, 83
39	2	64-P	ROLL PIN, 3/16 X 1-1/4
40	1	55-P	WASHER, 3/4 SAE FL 1-1/2 OD
41	2	3804-P	SHCS, 1/4-20 X 3-1/4
43	1	5441-P	KNOB, CLAMP SCREW, ALUMINUM
44	1	3795-P	WELD, FRONT BAND, 83

ITEM	QTY.	PART #	DESCRIPTION
45	1	4221-P	CLAMP SCREW WELD, 83
46	1	3796-P	SADDLE ASM, 83
47	1	6068-P	COVER, GEAR, OUTSIDE, 83
48	4	193-P	SCREW, TEK, 12-14 X 3/4 3 PT
49	1	2537-P	CHAIN, ROLLER, #35 72 PITCH
50	1	7-P	BEARING, 3/4" ID X 1-1/2"
51	1	15-P	COLLAR, 3/4" ID
52	1	4385-P	HANDWHEEL, 10" 3/4" BORE, 83
53	1	3901-P	MORStop TILT BRAKE
54	1	19-P	BEARING, 3/4" ID X 2-1/2"
55	1	4082-P	CARRIAGE WELD, BOLT ON, 83
56	1	735-P	KEY, WOODRUFF, SIZE 9, ASA606
57	1	11-P	SPROCKET, #35 12T, 3/4" BORE
58	1	4083-P	TROLLEY WELD, 83
59	1	6411-P	SPACER, NYLON, 7-X, 83, 85-5

* Recommended spare parts