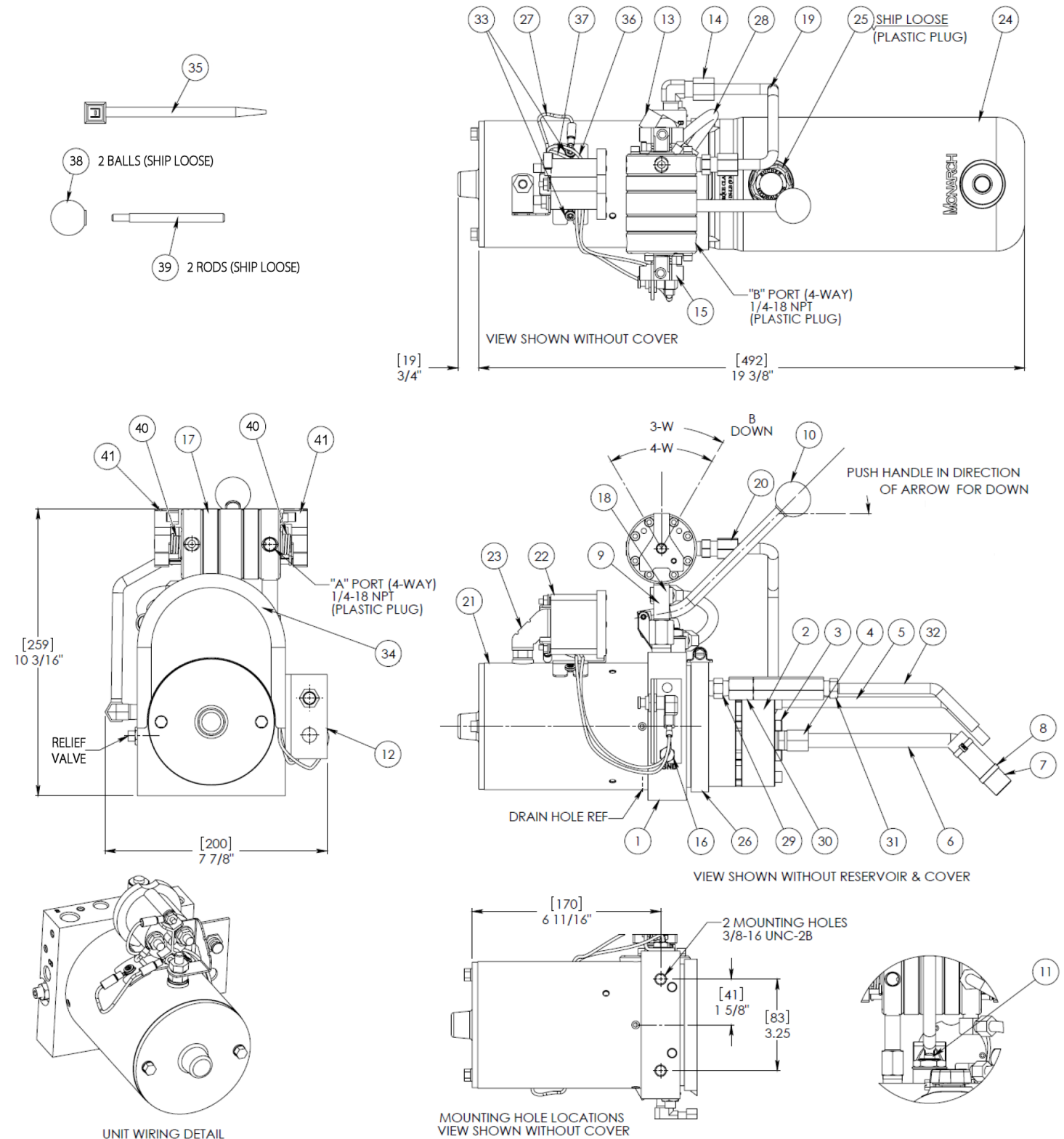


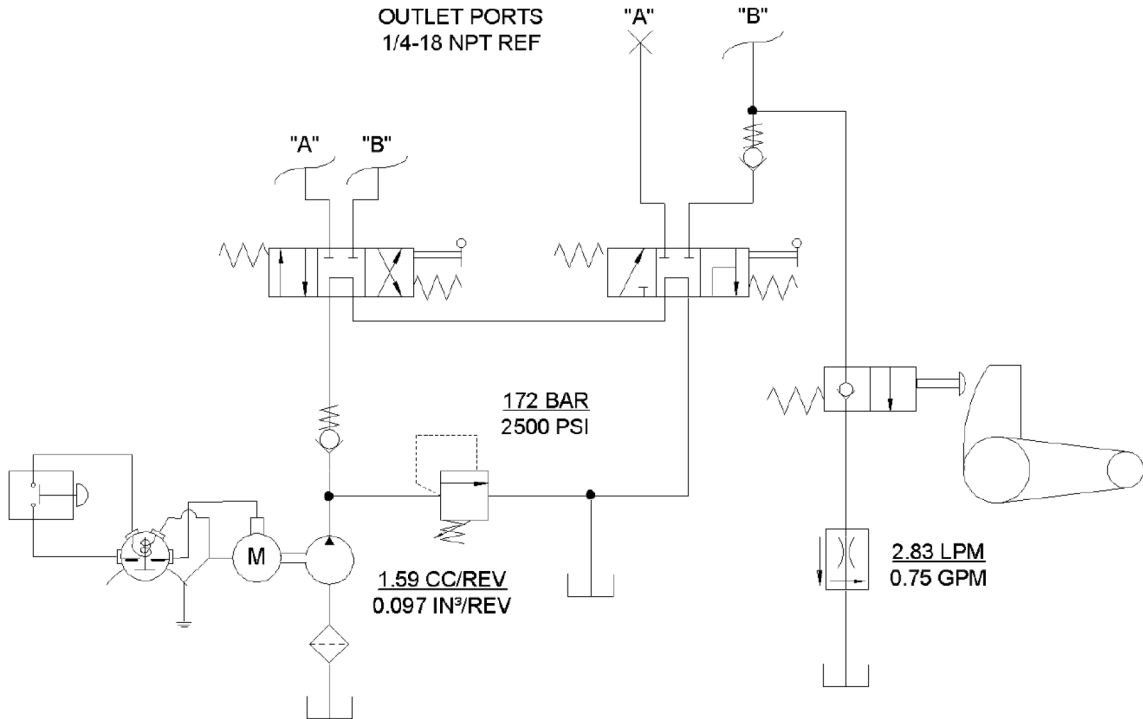
**Parts List for Morse Pump Power Pack - Part # M3500-P**  
**Used from March 2013 to Nov 2018**

ITEM	QTY.	PART #	DESCRIPTION
1	1	M12748-P	BASE ASM, M4507, STD MTR MNT
2	1	M12171-200-P	PUMP ASM, DC
3	4	M07819-P	SHCS, 1/4-20 X 2-3/4, MON
4	1	M01490-P	CONNECTOR ASM, BRASS 1/2TX3/8
5	1	M13021-1050-P	TUBE, RETURN, 45 DEG, 1/8 NPTF
6	1	M04297-08-P	TUBE, SUCTION, 45 DEG 1/2 ALUM
7	1	M01315-P	FILTER, SUCTION, MON
8	2	M01073-P	CLAMP, CABLE TIE, 1/16-1.75D
9	1	M01319-P	ADAPTER, PUMP VALVE, 3-3/8
10 *	1	M10803-P	HANDLE ASM, MANUAL RELEASE
11	1	M10802-P	VALVE, MANUAL, 2W/2P, NC
12	1	M01290-P	BRACKET, 2 TOGGLE SWITCH
13	1	M04196-P	FIT, ELBOW, 90 DEG, PIPE STL
14	1	M01487-P	ELBOW, COMP, STL, 90 3/8TX1/4
15	1	M03208-P	SWITCH, PUSH BUTTON, MOMENTARY
16	1	M07767-P	HHCS, 5/16-18 X 3/4, MON
17	1	M11012-P	VALVE ASM, CMP, 7/W, 4/W RD (INCLUDES ITEMS 38-41)
18	2	M03578-P	FIT, ELBOW, 90 DEG, COMP, 3/8
19	1	M13151-P	TUBE, RETURN, 180 DEG
20	1	M01488-P	CONNECTOR ASM, 3/8T X 1/4
21	1	M08111-P	MOTOR, DC, 12V, 4.5", 1 TERM
22	1	M17744-P	SWITCH, SOLENOID, 12V DC
23	1	M13155-P	STRAP, MOTOR-SOLENOID
24	1	M04618-P	RESERVOIR, POLY, 4.5 X 12
25	1	M03171-P	PLUG, BREATHER, 3/8 NPT
26	1	M07900-P	CLAMP, HOSE, WORM GEAR, RSV
27	1	M07550-07-P	WIRE ASM, CONTROL, 16 AWG, HS
28	1	MTUB-044-P	TUBING, NYLON, 3/8 OD, .093W
29	1	M01080-P	NIPPLE, MALE PIPE, HEX 1/4-18
30	1	M01028-.75-P	VALVE ASM, PCFC, .75 GPM
31	1	M01085-P	BUSHING, REDUCER, 1/4M X 1/8F
32	1	M13021-5.5-P	TUBE, RETURN, 45 DEG 1/8 NPTF
33	2	M17071-P	SCREW, PAN HD, 10-32 X 5/16
34	1	M07940-P	COVER, SOLENOID, DC PUMP
35	1	M04678-P	STRAP, SOLENOID COVER, DC PUMP
36	1	M13191-12-P	WIRE ASM, CONTROL, 1/4F #10
37	1	M13190-12-P	WIRE ASM, CONTROL, 1/4F 5/16
38 *	2	M01157-P	BALL, PLASTIC, HANDLE, MON
39 *	2	M01326-P	ROD, VALVE HANDLE, MON
40 *	2	M00018-P	SPRING, TORSION, MON
41	2	M00173-P	HANDLE BASE, MON
* Recommended spare parts.			

**Parts Diagram for Morse Pump Power Pack - Part # M3500-P**  
Used from March 2013 to Nov 2018



**Schematic for Morse Pump Power Pack - Part # M3500-P**  
 Used from March 2013 to Nov 2018



**SCHEMATIC**