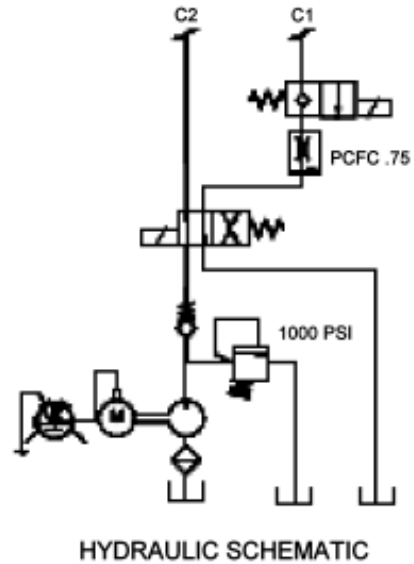
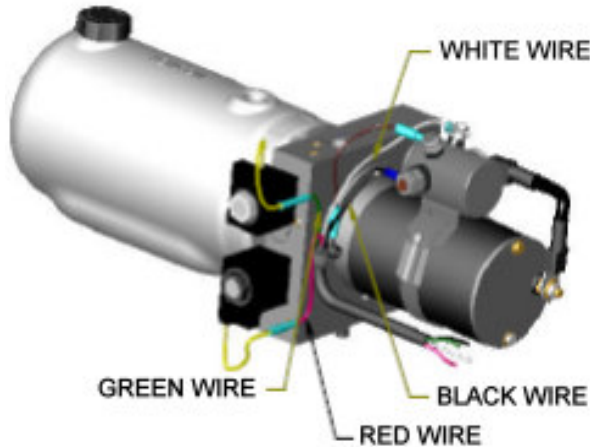


PARTS LIST for Morse Part Number M3551-P Hydraulic Power Pack

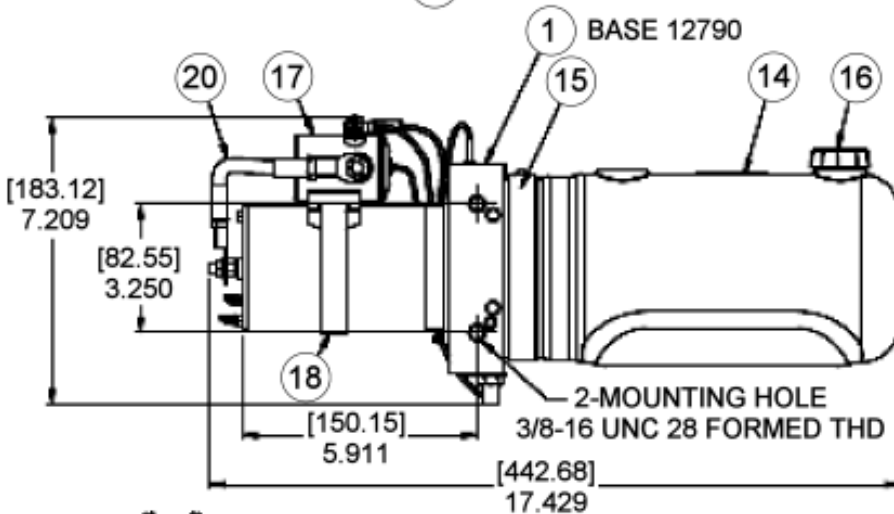
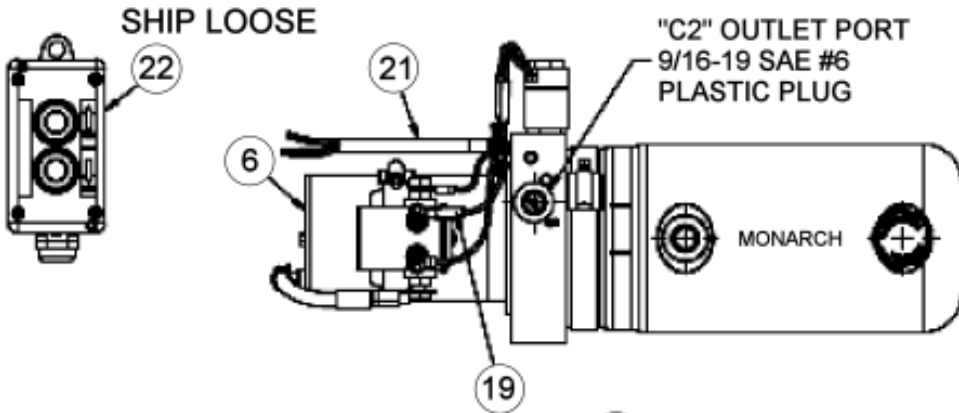
Used on: Morse Model 285A-BP
Serial Number 1202 to 1207 (MMYY)



ITEM	QTY.	PART #	DESCRIPTION
1	1	M12791-P	BASE ASM, M3551, MOD, 3" MTR
2	1	M01723-.75-P	POPPET ASM, PCFC, .75GPM 780-P
3	1	M07193-D-P	CARTRIDGE, 2W/2P, NC, POPPET
4	1	M00455-D-P	CARTRIDGE, 4W/2P, #8, 1/2"STEM
5	2	M10968-D-P	COIL, 12VDC, GROUND, #8 1 WIRE
6	1	M08053-P	MOTOR, 12V DC, M642
7	1	M12637-150-P	PUMP ASM, GEAR CODE 150, M3551
8	2	M17018-P	PIN, DOWEL, 1/4 X 3/4, M3551
9	1	M17121-P	SHAFT, INTERMED, MICRO, DC
10	4	M07763-P	SHCS, 1/4-20 X 1-1/4
11	1	M01209-P	TUBE, FILTER SUCTION, DC
12	1	M01203-P	TUBE, RETURN, 1/8 NPTF, M3551
13	1	M01134-P	FILTER SCREEN, SUCTION MON
14	1	M06103-P	RESERVOIR, PLASTIC, 4.5 X 10
15	1	M07900-P	CLAMP, HOSE, WORM GEAR, RSV
16	1	M03171-P	PLUG, BREATHER, 3/8 NPT
17	1	M03335-P	SWITCH, SOLENOID 12VDC 4 POST
18	1	M07892-P	CLAMP, HOSE, WORM, 2.31-3.25
19	1	M07550-07-P	WIRE ASM, CONTROL, 16 AWG, H
20	1	M07965-P	CABLE, INSULATED W/ LUGS, 6"
21	1	M17747-18-P	CORD, HARNESS, 18" 16/4 M3551
22	1	3240-P	PENDANT, 2 BUTTON, BP
23	1	M07747-P	SHCS, 1/4-20 X 3/4, MON

PARTS DIAGRAM for Morse Part Number M3551-P Hydraulic Power Pack

Used on: Morse Model 285A-BP
Serial Number 1202 to 1207 (MMYY)



NOTES:

1. SPECIFICATIONS:
 - A. DISPLACEMENT
0.032 CU IN/REV
 - B. UNLESS OTHERWISE SPECIFIED:
RELIEF VALVE FACTORY SET AT:
1000 PSI
2. RELIEF VALVE ADJUSTMENT:
 - A. LOOSEN JAM NUT
 - B. ADJUST PRESSURE
 1. TURN SCREW CLOCKWISE TO INCREASE PRESSURE
 2. TURN SCREW COUNTER CLOCKWISE TO DECREASE PRESSURE

NOTE: OUTLET PORT (PRESSURE) FLOW MUST BE BLOCKED TO MAKE RELIEF VALVE OPERATE WHILE ADJUSTING

