

Parts List and Diagram for Morse Part # ML-410

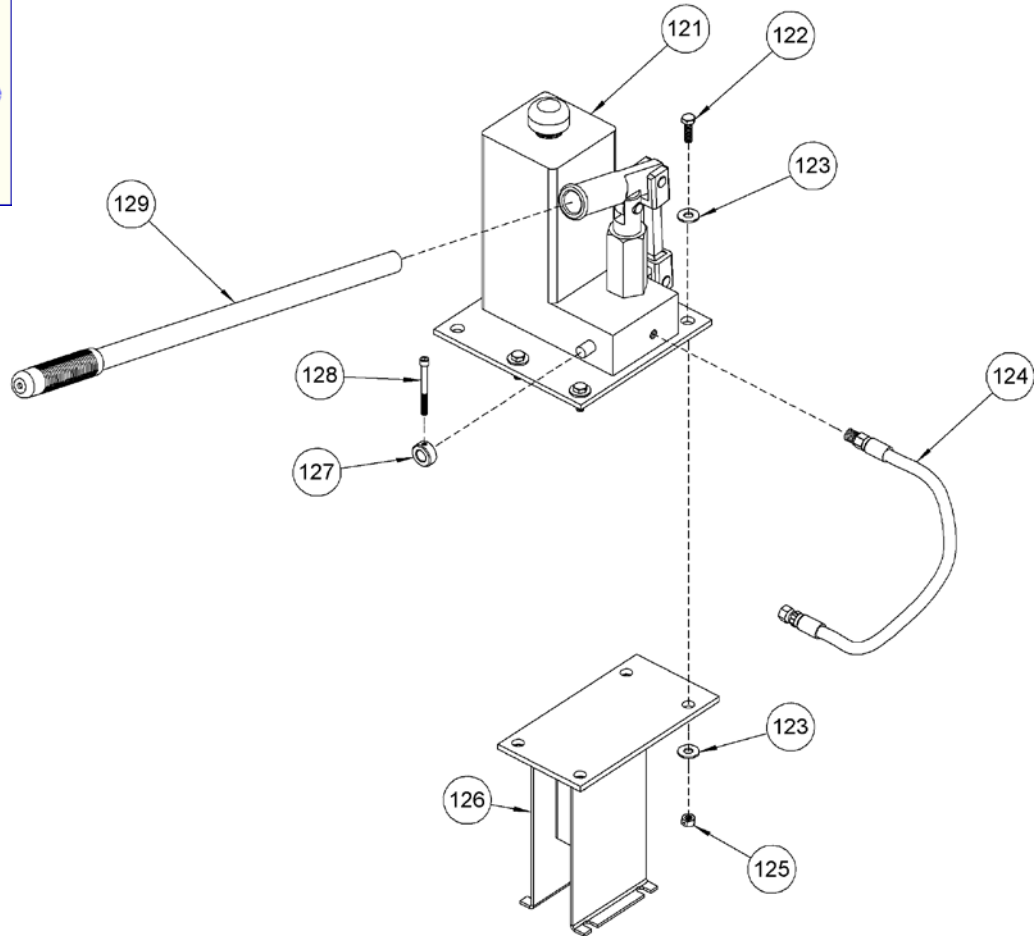
Used on Manual Lift Heavy-Duty Hydra-Lift Karriers with Serial Number 1210 to ____ (MMYY)



IMPORTANT NOTE

4-Digit serial numbers are simply the month & year of manufacture

Example: 0802 is August 2002



ITEM	QTY.	PART #	DESCRIPTION
121	1	96MK1939-P	PUMP, HYD, HAND STAR
122	4	35-P	HHCS, 5/16-18 X 1 GR2
123	8	1570-P	WASHER, 5/16 USS 7/8 OD
124	1	766-P	HYD HOSE ASM, 12"
125	4	491-P	NUT, 5/16-18 REV HEX LOCK
126	1	4887-P	WELD, HAND PUMP MOUNT, 410
127	1	1035-P	COLLAR, 1/2"
128	1	1040-P	SHCS, 1/4-20 X 2-1/2
129	1	96CP13-23	HANDLE, LEVER W/ GRIP, STAR
-	1	3983-P	OIL, HYDRAULIC, 1 QUART