

Single Stationary Drum Rollers

- Save time, labor and money
- Blend ingredients right inside a sealed drum
- Ensure Homogeneity
- Eliminate transfer, clean-up, special vessels
- Maximum ambient operating temp: 140° F (60° C)

Mixing times vary depending on...

- Drum RPM
- Drum size
- Fullness of drum (clearance space within drum)
- Liquid vs powder or granulated drum contents
- Degree of uniformity / homogeneity required
- Ambient temperature

Variable Speed Control Packages for Model 1-5154-3

Rotate drum from 1 to 30 RPM. Find best speed for each material, or use high speed for initial mixing and low speed for prolonged agitation. Variable speed rollers are ideal for experimentation or to mix a variety of materials.

Variable speed packages NOT available for explosion-proof models.

Shifting dry load exerts greater stress on drum roller than fluid motion of liquid load.

Fixed Speed Drum Rollers

Rotate one drum at fixed speed of 20 RPM (16 RPM for 50Hz models), based on 22.5" (57 cm) diameter drum. 20 RPM is good for most liquids... paint, etc.

Capacity: Liquid load: 1000 Lb. (455 kg)
Dry load: 300 Lb. (136 kg)

ROLL VARIOUS DRUM SIZES: Steel drum 6" to 28" (15 to 71 cm) diameter and up to 40" (102 cm) long.

Move idler assembly closer to drive shaft for smaller drum diameters.

Powerful 1/2 HP motor drives efficient worm gear reducer connected to a solid 1" (2.54 cm) diameter shaft to turn four 6" (15.2 cm) diameter neoprene wheels. Four idler wheels turn freely on roller bearings.

Basic motor is 3-phase 230/460V 60Hz inverter duty. Explosion-Proof and air motors also available.

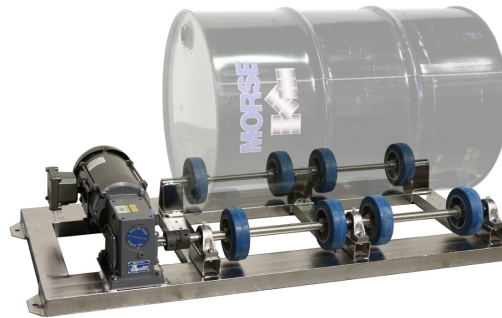
Control Package sold as separate model number (page 3). Stationary Roller ships without control. Cord and plug and must be installed by electrician according to local codes and customer's preference.

Morse Guard Enclosure Kits with Safety Interlock sold separately (page 4).

Grounding Strap: Spring steel grounding straps are standard to help drain possible static charge from drum.



Capacity: Liquid Load: 1000 Lb. (455 kg)
Dry Load: 300 Lb. (136 kg) at 20 RPM
Base Dimensions: 24" x 52" (61 x 132 cm)



Stainless Steel Drum Rollers

Frame is type 304 stainless steel with bead blast finish. Welds NOT ground smooth or polished. Motor, gear box, coupling, bearings NOT stainless steel.

OSHA Requires Enclosure with Safety Interlock (pg. 4)

Loading Methods



Get a drum horizontal with Morse model 160 Drum Truck. Then lift it with model 41 Drum Lifting Hook.



Omni-Lift Drum Racker may also be used to place a steel drum onto your single drum roller.

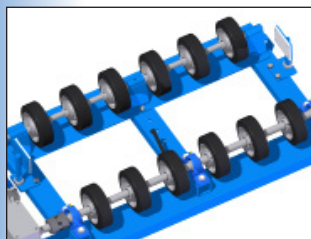


Load with a MORStak Drum Racker

Options

ROLL A PLASTIC DRUM

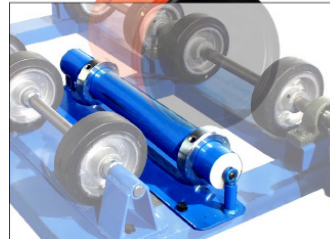
Option # POLY-1-5154 Factory Installed



Kit # POLY-1-5154FI for you to install

Install this option to roll a plastic drum on stationary drum roller. Includes extra wheels to support flexible soft-sided plastic drum, and end stop to prevent drum from traveling lengthways.

NOTE: This is **NOT** a drum roller by itself. It is an **OPTION** to install on a Morse Drum Roller.



ROLL A 5-GALLON PAIL
Option # 1-5-1

Idler Attachment to facilitate rolling 1 to 5 gallon size (3.8 to 18.9 liters) cylindrical cans or pails. Rolls a 5-gallon can at approximately double the RPM of a 55-gallon drum. It is easily removed to return to rolling drums.

MADE IN USA

Stationary Drum Rollers							Control Packages	Guard Enclosure Kits
Model #	Drum RPM (22.5" Dia.)	Motor Information					Option Number	Option Number
		Motor Style	HP	Phase	Motor Voltage	Amp Draw		
1-5154-1	20	60Hz TEFC	1/2	1	115	7.4	5998-P	GEK-1-5154-1
1-5154SS-1					208	4.3	5999-P	
					230	3.7	5998SS-P	
					115	7.4		
					208	4.3		
					230	3.7	5999SS-P	
1-5154-1-50-CE	16	50Hz TEFC	1/2	1	230	3.6	5999-P (included)	GEK-1-5154-1 (included)
1-5154-3	20 RPM or Add Morse Control Package for 1 to 30 RPM Variable Speed	60Hz Inverter Duty	1/2	3	230	1.6	CP-1-5154-1-115 *	GEK-1-5154-3
1-5154SS-3					230	1.6	CP-1-5154-1-230 *	
					230	1.6	CP-1-5154-3-230 *	
					460	0.8	CP-1-5154-3-460 *	
					230	1.6	CP-1-5154SS-1-115 *	
					230	1.6	CP-1-5154SS-1-230 *	
					230	1.6	CP-1-5154SS-3-230 *	
					460	0.8	CP-1-5154SS-3-460 *	
1-5154-3-50-CE	1 to 20	50Hz Inverter Duty	1/2	3	400	1.6	CP-1-5154-3-460 (included)	GEK-1-5154-3 (included)
1-5154-E1	20	60Hz Explosion proof **	1/2	1	115	7.4	CP-1-5154-E1-115 *	GEK-1-5154-E1
1-5154SS-E1					208	3.9	CP-1-5154-E1-208 *	
					230	3.7	CP-1-5154-E1-230 *	
					115	7.4	CP-1-5154SS-E1-115 *	
					208	3.9	CP-1-5154SS-E1-208 *	
					230	3.7	CP-1-5154SS-E1-230 *	
1-5154-E1-50	16	50Hz Explosion proof **	1/2	1	220	3.6	CP-1-5154-E1-220-50 *	GEK-1-5154-E1
1-5154SS-E1-50					220	3.6	CP-1-5154SS-E1-220-50 *	
1-5154-E3	20	60Hz Explosion proof **	1/2	3	208	2.1	CP-1-5154-E3-208 *	GEK-1-5154-E3
1-5154SS-E3					230	2.0	CP-1-5154-E3-230 *	
					460	1.0	CP-1-5154-E3-460 *	
					208	2.1	CP-1-5154SS-E3-208 *	
					230	2.0	CP-1-5154SS-E3-230 *	
					460	1.0	CP-1-5154SS-E3-460 *	
1-5154-E3-50	16	50Hz Explosion proof **	1/2	3	230	1.7	CP-1-5154-E3-230-50 *	GEK-1-5154-E3
1-5154SS-E3-50					400	1.0	CP-1-5154-E3-400-50 *	
1-5154-E3-575	20	60Hz Explosion proof **	1/2	3	575	0.7	CP-1-5154-E3-575 *	GEK-1-5154-E3
1-5154SS-E3-575					575	0.7	CP-1-5154SS-E3-575 *	
1-5154-A	20	Air Motor ***	-	-	-	-	AIR Controls included ***	GEK-1-5154-A
1-5154SS-A	Vary with air flow & pressure							

* ONLY NON-Explosion Proof AC Control Packages include a pre-wired control box. Models with explosion proof Control Packages have no wiring from the NEMA 7/9 control box to the motor. Please consult an electrician to complete the wiring in accordance to your local code.

** Explosion Proof motors are rated for Class I Group D, and Class II Groups F and G. Variable speed models are NOT available for hazardous areas.

*** AIR Controls are included... Filter, Regulator, Lubricator and Valve are included with drum roller model 1-5154-A and 1-5154SS-A. Air powered model requires plant air at 20 to 40 psi and flowing at a rate of 22 scfm.

Control Packages (Sold Separately)

- Control Mast and the appropriate Control Box for each model
- Use power controls to start and stop drum rolling
- Position the control mast outside the Safety Enclosure on either the left or right side, or at the back of Drum Roller

Control Mast and AC Control Box for Model 1-5154-1 or 2-5154-1
NEMA 4/12 for NON-Hazardous Areas

Includes Control Mast and Control Box with:

- Fixed Drum Rotation Speed at 20 RPM
- Timer adjusts from a few seconds to 16 hours
- Start and Stop Buttons
- Red Emergency Stop Button
- Lockable Main Disconnect to shut off and lock out power to the unit
- Wire terminals for external connection of safety interlock switch



Control Mast and AC Control Box for Model 1-5154-3 or 2-5154-3
NEMA 4/12 for NON-Hazardous Areas

Includes Control Box with:

- Variable Speed Drum Rotation from 1 to 30 RPM
- Timer adjusts from a few seconds to 16 hours
- Start and Stop Buttons
- Red Emergency Stop Button
- Lockable Main Disconnect to shut off and lock out power to the unit
- Wire terminals for external connection of safety interlock switch



Control Mast and Explosion Proof AC Control Box
NEMA 7/9 for Hazardous Areas

Includes Control Mast and Explosion-Proof Control Box with:

- Fixed Drum Rotation Speed at 20 RPM (16 RPM on 50Hz models)
- Start and Stop Buttons
- Wire terminals for external connection of safety interlock switch



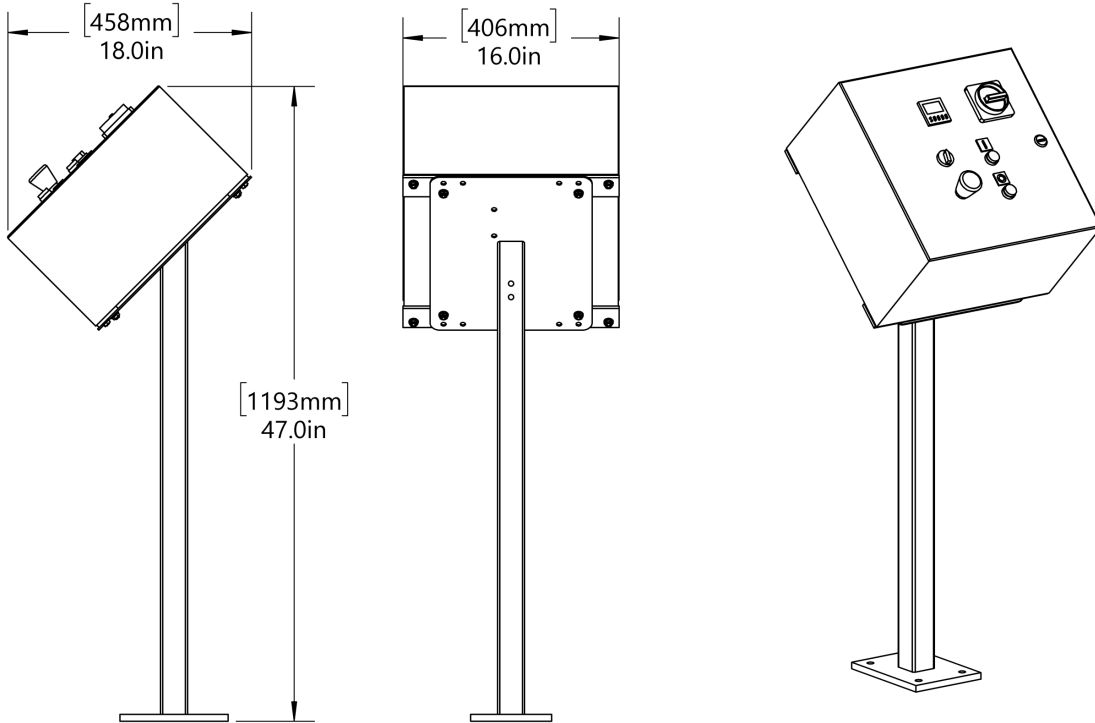
Control Mast and Air Controls are Included with Model 1-5154-A

Air Controls Include

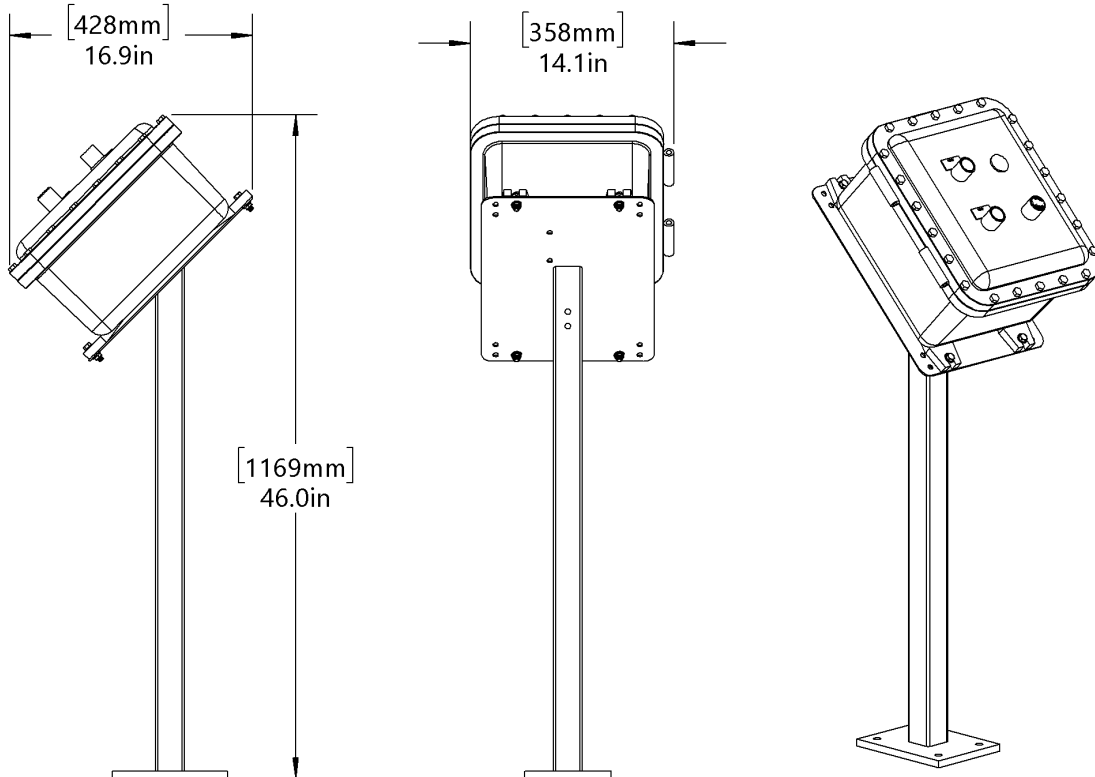
- Filter, Regulator and Lubricator (FRL)
- On / Off Valve



Control Station Dimensions for NON-Hazardous Areas



Control Station Dimensions with Explosion-Proof Box for Hazardous Areas



MADE
IN
USA

1-5154 Series

Single Stationary Drum Rollers

MADE
IN
USA

Control Package #	Description	Minimum Power Supply Required	Power Supply	Drum RPM (22.5" Dia.)	Drum Roller Capacity
5998-P	Control Package for 1-5154-1	15 Amp	1-Phase 115V 60Hz	20 RPM	Liquid Load: 1000 Lb. (455 kg) Dry Load: 300 Lb. (136 kg)
5998SS-P	Control Package for 1-5154SS-1	15 Amp	1-Phase 115V 60Hz		
5999-P	Control Package for 1-5154-1	10 Amp	1-Phase 230V 60Hz		
5999SS-P	Control Package for 1-5154SS-1	10 Amp	1-Phase 230V 60Hz		
CP-1-5154-1-115 *	Control Package for 1-5154-3	20 Amp	1-Phase 115V 60Hz	Variable Speed 1 to 30 RPM	Liquid Load: 1000 Lb. (455 kg) Dry Load : 300 Lb. (136 kg)
CP-1-5154SS-1-115 *	Control Package for 1-5154SS-3	20 Amp	1-Phase 115V 60Hz		
CP-1-5154-1-230 *	Control Package for 1-5154-3	15 Amp	1-Phase 230V 60Hz		
CP-1-5154SS-1-230 *	Control Package for 1-5154SS-3	15 Amp	1-Phase 230V 60Hz		
CP-1-5154-3-230 *	Control Package for 1-5154-3	15 Amp	3-Phase 230V 60Hz		
CP-1-5154SS-3-230 *	Control Package for 1-5154SS-3	15 Amp	3-Phase 230V 60Hz		
CP-1-5154-3-460 *	Control Package for 1-5154-3	10 Amp	3-Phase 460V 60Hz		
CP-1-5154SS-3-460 *	Control Package for 1-5154SS-3	10 Amp	3-Phase 460V 60Hz		
CP-1-5154-E1-115 *	Control Package for 1-5154-E1, Explosion-Proof	20 Amp	1-Phase 115V 60Hz	20 RPM	Liquid Load: 1000 Lb. (455 kg) Dry Load: 300 Lb. (136 kg)
CP-1-5154SS-E1-115 *	Control Package for 1-5154SS-E1, Explosion-Proof	20 Amp	1-Phase 115V 60Hz		
CP-1-5154-E1-208 *	Control Package for 1-5154-E1, Explosion-Proof	15 Amp	1-Phase 208V 60Hz		
CP-1-5154SS-E1-208 *	Control Package for 1-5154SS-E1, Explosion-Proof	15 Amp	1-Phase 208V 60Hz		
CP-1-5154-E1-230 *	Control Package for 1-5154-E1, Explosion-Proof	15 Amp	1-Phase 230V 60Hz		
CP-1-5154SS-E1-230 *	Control Package for 1-5154SS-E1, Explosion-Proof	15 Amp	1-Phase 230V 60Hz		
CP-1-5154-E3-208 *	Control Package for 1-5154-E3, Explosion-Proof	15 Amp	3-Phase 208V 60Hz		
CP-1-5154SS-E3-208 *	Control Package for 1-5154SS-E3, Explosion-Proof	15 Amp	3-Phase 208V 60Hz		
CP-1-5154-E3-230 *	Control Package for 1-5154-E3, Explosion-Proof	15 Amp	3-Phase 230V 60Hz		
CP-1-5154SS-E3-230 *	Control Package for 1-5154SS-E3, Explosion-Proof	15 Amp	3-Phase 230V 60Hz		
CP-1-5154-E3-575 *	Control Package for 1-5154-E3-575, Explosion-Proof	10 Amp	3-Phase 575V 60Hz		
CP-1-5154SS-E3-575 *	Control Package for 1-5154SS-E3-575, Explosion-Proof	10 Amp	3-Phase 575V 60Hz		
CP-1-5154-E1-220-50 *	Control Package for 1-5154-E1-50, Explosion-Proof	15 Amp	1-Phase 220V 50Hz	16 RPM	
CP-1-5154SS-E1-220-50 *	Control Package for 1-5154SS-E1-50, Explosion-Proof	15 Amp	1-Phase 220V 50Hz		
CP-1-5154-E3-230-50 *	Control Package for 1-5154-E3-50, Explosion-Proof	15 Amp	3-Phase 230V 50Hz		
CP-1-5154-E3-230-50 *	Control Package for 1-5154-E3-50, Explosion-Proof	15 Amp	3-Phase 230V 50Hz		

Guard Enclosure Kits with Safety Interlock (Sold Separately)

Comply with OSHA Requirements with a Morse Guard Enclosure Kit (Sold Separately)

Guard Enclosures for Morse Stationary Drum Rollers have a safety interlock to automatically shut off the drum roller when the gate is opened. Open the enclosure gate, place your drum onto the drum roller, then close the gate to allow operation. Connections are included for air powered model only. Control Package options provide controls and connections for AC models.

Install all Morse Rotators in accordance with local requirements for enclosure and safety interlock, etc. One way to accomplish this is with a Morse enclosure with safety interlock, so the rotator automatically turns off when enclosure

door is opened. Power connections and motor controls must also comply with applicable local codes.

For OSHA compliance in the USA, see OSHA subpart O.1910.212(a)(4) "Barrels, containers, and drums. Revolving drums, barrels, and containers shall be guarded by an enclosure which is interlocked with the drive mechanism, so that the barrel, drum, or container cannot revolve unless the guard enclosure is in place."

All Morse Control Packages (see page 3) include a low-voltage transformer and wire terminals required to connect the external safety interlock switch of these Guard Enclosure Kits. Morse Control Packages and Enclosures meet OSHA regulations ONLY when installed properly with safety interlock.

Guard Enclosure Kit #	Description	Gate Switch
GEK-1-5154-1	Fits Single Stationary Drum Roller with 1-phase electric motor	AC
GEK-1-5154-3	Fits Single Stationary Drum Roller with 3-phase electric motor	AC
GEK-1-5154-E1	Fits Single Stationary Drum Roller with Explosion-proof 1-phase electric motor	AC
GEK-1-5154-E3	Fits Single Stationary Drum Roller with Explosion-proof 3-phase electric motor	AC
GEK-1-5154-A	Fits Single Stationary Drum Roller with Air motor	Air

