

Innovative 4-Wheel Drum Trucks

Ergonomic and versatile drum trucks to transport and dispense from drum.
Stand alone on 4 wheels, or stands upright for storage.

- Ergonomic, extremely versatile drum trucks
- Designed and built for safety
- Truck carries full weight of drum. No need to balance or support drum weight
- Move and turn easily on four 8" (20.3 cm) MORTUF polyolefin roller-bearing wheels
- Forged steel toe prongs
 - Wide and rounded to protect drum
 - Specially shaped to ease pick-up of drum
- Hands are protected within U-shaped knuckle saving handle
- Capacity: 1,000 Lb. (454 kg)
- Ships boxed, with minor assembly required
- Handle 30, 55 or 85 gallon (114, 210 or 322 Liter) steel drum, and most rimmed plastic and fiber drums

MADE
IN
USA



Keep hands inside the U-Shaped "Knuckle Saver" Handle

Model 160-SS made of type 304 stainless steel

Model 160
Model 160M adds Spark Resistant Parts

Use the Chime Hook to Extend the Support Prop

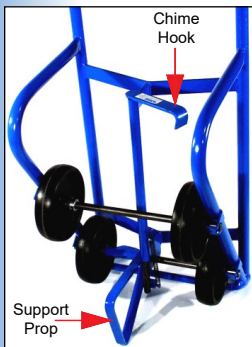


Engage the chime hook on the drum rim as shown here to assist in loading the drum.

Extend the support prop to stabilize the hand truck in horizontal position to dispense from a drum, as shown bottom right.

Push the chime hook down to extend the support prop and stabilize the drum truck in upright position. Raise the chime hook to retract the support prop, and engage the drum rim.

Note: Model 160M has a chime hook, but not a support prop.



Move drums on and off pallets

Roll a drum onto pallet. . .

. . . or tilt on edge of pallet. Extra long handle provides leverage for control.



Model 160-WP
for use on rough terrain

Dispense drum with ease

When pouring a drum the frame and extendable support prop stabilize the truck in horizontal position. The truck also stands alone with extendable support prop.



Model 160-WP-SS
Stainless Steel Drum Truck
for use of rough terrain

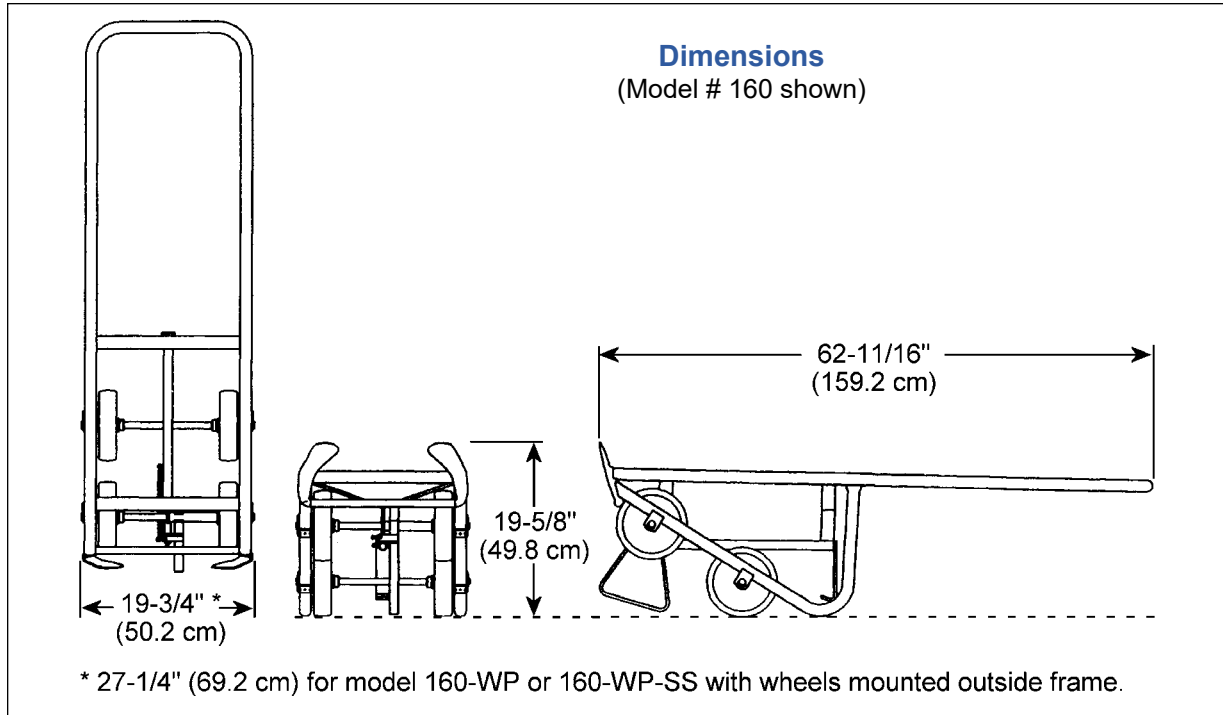
Models with 10" (25.4 cm) pneumatic wheels mounted outside the frame are designed for traveling over rough terrain or grating. Model 160-WP-SS is made of type 304 stainless steel.

Drum Size Range

	Minimum	Maximum
Diameter	14" (35.6 cm)	28" (71.1 cm)
Height	31" (78.7 cm)	41" (104.1 cm)

Add Option 5058-P for 55-gallon rimless plastic drum, or for a smaller drum

Model #	Description	Domestic Ship Weight	Domestic Ship Dimensions
160	4-Wheel Drum Truck	75 Lb. (34 kg)	L 25" W 21" H 35" (64 x 54 x 89 cm)
160M	4-Wheel Drum Truck with Spark Resistant Parts	79 Lb. (36 kg)	L 25" W 21" H 35" (64 x 54 x 89 cm)
160-SS	4-Wheel Drum Truck, Type 304 Stainless Steel Construction	70 Lb. (32 kg)	L 25" W 21" H 35" (64 x 54 x 89 cm)
160-WP	4-Wheel Drum Truck with 10" Pneumatic Wheels	88 Lb. (40 kg)	L 29" W 25" H 35" (74 x 64 x 89 cm)
160-WP-SS	4-Wheel Drum Truck with 10" Pneumatic Wheels, T304SS	88 Lb. (40 kg)	L 29" W 25" H 35" (74 x 64 x 89 cm)
Option #	Description	Ship Wt.	Domestic ship dimensions
5058-P	Kit, Strap for rimless plastic drum or smaller drum	2 Lb. (1 kg)	L8" W7" H3" (20 x 18 x 8 cm)



Optional Strap - Kit # 5058-P

The Strap Option allows you to handle a rimless plastic drum as shown in sequence of images below, or a shorter drum such as the 30-gallon fiber drum shown at right, with any Morse 4-Wheel Drum Truck.



Secure optional strap (shown on model 160-SS) around a rimless drum.



Strap assists in pulling your drum over onto the drum truck.

