

186 Series Adjusto-Karriers

Model	Description
186	Adjusto-Karrier
186M	Adjusto-Karrier with Spark Resistant Parts

Adjustable Below-Hook Drum Carriers

Handle Wide Range of Drum Diameters

- Adjust for 15" to 23" (38.1 to 58.4 cm) diameter steel or fiber drum
- NOT for use with plastic drum
- Grip pads conform to drum curvature for secure grip
- Lift, transport and pour drum with your crane, hoist or chain block
- Pull chain to control drum tilt angle 360°
- Capacity: 500 Lb.

Pour drum into high chutes, hoppers, vessels, etc. Adjust to fit range of diameters for handling fiber or steel drums (with or without ribs). Pull chain geared tilt to control drum angle even above a person's reach.

1. Attach Adjusto-Karrier to your hoist hook.
2. Hoist the Adjusto-Karrier up over the drum and lower it to a point where grip pads are at center of load.



3. Secure drum by adjusting screws on center rods on each side with removable hand crank.
4. Lift drum with hoist and tilt using pull chain.

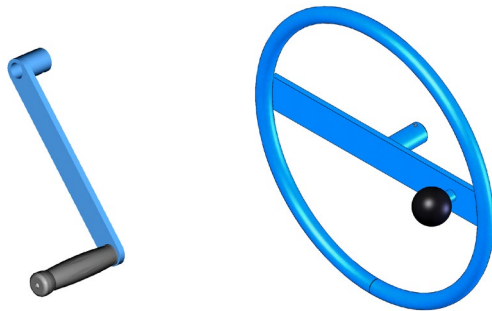
Grip pads, made of nylon core with nitrile blend cover conform to drum curvature to grip securely and avoid drum damage.

When successive drums are the same diameter, grip and release by adjusting one screw. Only need to adjust second screw when different diameter is encountered to center the load.



Tilt Control Options

Standard tilt control is chain wheel and 12' (366 cm) pull-chain loop with 6' (183 cm) drop for high level pouring.



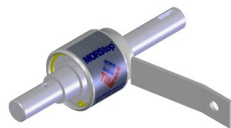
Option X02-186
9" (22.9 cm) Hand Crank

Option X03-186
16" (40.6 cm) Hand Wheel

MORStop Tilt-Brake Automatically locks drum tilt angle

Option 3900i-P
Factory installed MORStop Tilt-Brake.

Kit 3900-P
MORStop Tilt-Brake Kit for customer to install on existing drum handler.

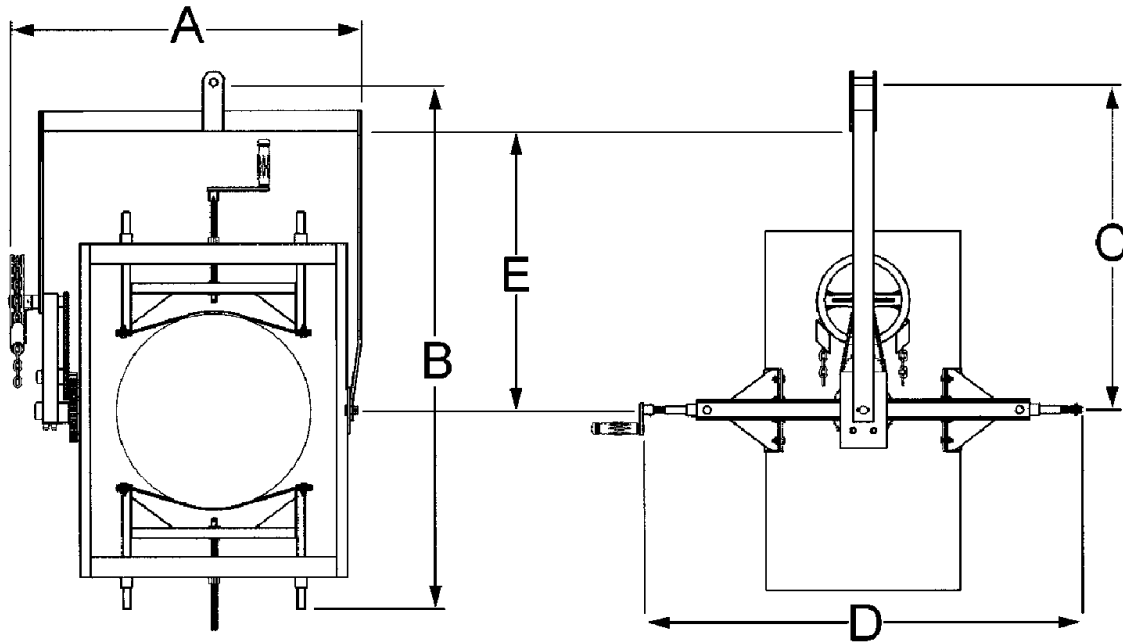


Dimensions

Adjusto-Karrier ships assembled in carton.

Domestic ship dimensions: L48" W36" H8" (122 x 92 x 20 cm)

Domestic ship weight is approximately 120 Lb. (55 kg).



Dimensions	
Dimension A	34.375" (87.3 cm)
Dimension B	48.125" (122.2 cm)
Dimension C	28.75" (73 cm)
Dimension D	Drum diameter + 20" (50.8 cm)
Dimension E	24.5" (62.2 cm)

MADE
 IN
 USA



morsedrum.com



service@morsedrum.com



(315) 437-8475



103 Kuhn Rd.
 Syracuse, NY, 13208 USA