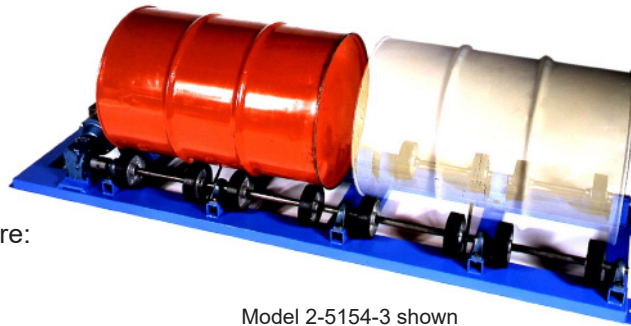


**Double Stationary Drum Rollers**

- Save time, labor and money
- Blend ingredients right inside a sealed drum
- Eliminate transfer, clean-up, special vessels and apparatus
- Ensure Homogeneity
- Maximum ambient operating temperature: 140° F (60° C)



Model 2-5154-3 shown  
rolls 1 or 2 drums

OSHA Requires  
Enclosure with  
Safety Interlock.  
See page 4

**Variable Speed Control Packages**  
**Available for Model 2-5154-3**

Rotate drums at any speed from 1 to 30 RPM. Find the best speed for each material. Some use high speed for initial mixing and low speed for prolonged agitation. Variable speed drum rollers are ideal for experimental use or where there is a variety of materials to be handled.

Variable speed packages are not available for explosion-proof drum rollers.

Capacity per drum:

- Liquid load: 1000 Lb. (455 kg)
- Dry Load: 300 Lb. (136 kg)

A shifting dry load exerts greater stress on the drum roller than the fluid motion of a liquid load.

**Fixed Speed Drum Rollers**

Designed to rotate one drum at factory fixed drum speed of 20 RPM (16 RPM for 50Hz models), based on 22.5" (57 cm) diameter drum. Drum rolling speed of 20 RPM is good for most liquids... often used for paint, etc.

Capacity per drum:

- Liquid load: 1,000 Lb. (455 kg)
- Dry load: 300 Lb. (136 kg)

**ROTATE VARIOUS DRUM SIZES:** Designed to roll a steel drum 6" to 28" (15 to 71 cm) diameter and up to 40" (102 cm) long.

The idler wheel assembly can be moved closer to the drive shaft for various drum diameters. Set screws at each wheel permit easy repositioning to support various length drums.

**MOTOR SELECTION:** The powerful 1 HP motor drives an efficient worm gear reducer connected to a solid 1" (2.54 cm) diameter shaft to turn eight 6" (15.2 cm) diameter neoprene drive wheels. There are four roller bearing wheels for each drum position.

The basic motor is a three phase, 230/460V, 60Hz, inverter duty motor. Explosion-Proof and air motors are also available. **Motor controls are not included with the basic machines.** Standard Stationary Drum Rollers are shipped without control, cord and plug and must be installed by an electrician according to local codes and customer's preference.

Morse Control Packages sold separately - see page 3.

Morse Guard Enclosure Kits with Safety Interlock sold separately - see page 4.

**GROUNDING STRAP:** Spring steel grounding straps are standard to help drain possible static charge from drum.

**DIMENSIONS:** Base Dimensions: 24" x 91" (61 x 231 cm)

**Loading Method**



Get a drum horizontal with Morse [model 160 4-Wheel Drum Truck](#). Then lift it with Morse [model 41 Drum Lifting Hook](#).



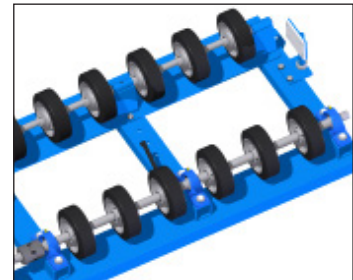
Use your hoist or crane and Morse [model 41 Drum Lifting Hook](#) to load drums onto the drum roller.

**Options**

**ROLL PLASTIC DRUMS:**  
**Option # POLY-2-5154 Factory Installed**  
**Kit # POLY-2-5154FI for you to install**

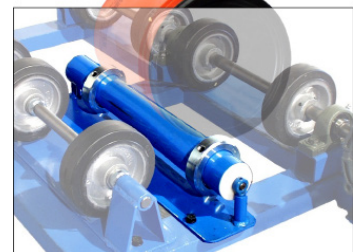
Install this option to roll plastic drums on stationary drum roller. Includes extra wheels to support flexible soft-sided plastic drum, and end stop to prevent drum from traveling lengthways.

**NOTE:** This is **NOT** a drum roller by itself. It is an **OPTION** to install on a Morse Drum Roller.



**ROLL 5-GALLON PAILS:**  
**Option # 1-5-2** - Idler Attachment to facilitate rolling a pair of 1 to 5 gallon size (3.8 to 18.9 liters) cylindrical cans or pails. Rolls a 5-gallon can at approximately double the RPM of a 55-gallon drum. It is easily removed to return to rolling drums.

**Option # 1-5-1** - Idler Attachment to roll just one 5-gallon can or pail.



MADE IN USA

Stationary Drum Rollers							Control Packages	Guard Enclosure Kits	
Model Number	Drum RPM (22.5" Dia.)	Motor Information					Option Number	Option Number	
		Motor Style	HP	Phase	Motor Voltage	Amp Draw			
2-5154-1	20	60Hz TEFC	1	1	115	12.8	5996-P	Fixed Speed	GEK-2-5154-1
					208	7.0	5997-P		
					230	6.4			
2-5154-1-50-CE	16	50Hz TEFC	1	1	220	6.5	5997-P (included)	GEK-2-5154-1 (included)	
2-5154-3	20 RPM or Add Morse Control Package for 1 to 30 RPM Variable Speed	60Hz Inverter Duty	1	3	230	2.8	CP-2-5154-1-115 *	Variable Speed	GEK-2-5154-3
					230	2.8	CP-2-5154-1-230 *		
					230	2.8	CP-2-5154-3-230 *		
					460	1.4	CP-2-5154-3-460 *		
2-5154-3-50-CE	1 to 20	50Hz Inverter Duty	1	3	400	2.8	CP-2-5154-3-460 (included)	GEK-2-5154-3 (included)	
2-5154-E1	20	60Hz Explosion proof **	1	1	115	13	CP-2-5154-E1-115 *	Fixed Speed	GEK-2-5154-E1
					230	6.5	CP-2-5154-E1-230 *		
2-5154-E1-50	16	50Hz Explosion proof **	1	1	220	6.2	CP-2-5154-E1-220-50 *	Fixed Speed	GEK-2-5154-E1
2-5154-E3	20	60Hz Explosion proof **	1	3	208	3.1	CP-2-5154-E3-208 *	Fixed Speed	GEK-2-5154-E3
					230	3.0	CP-2-5154-E3-230 *		
					460	1.5	CP-2-5154-E3-460 *		
2-5154-E3-50	16	50Hz Explosion proof **	1	3	230	3.5	CP-2-5154-E3-230-50 *	Fixed Speed	GEK-2-5154-E3
					400	2.0	CP-2-5154-E3-400-50 *		
2-5154-E3-575	20	60Hz Explosion proof **	1	3	575	1.2	CP-2-5154-E3-575 *	Fixed Speed	GEK-2-5154-E3
2-5154-A	20 Vary with air flow & pressure	Air Motor ***	-	-	-	-	Air Controls are included with model 2-5154-A ***	Fixed Speed	GEK-2-5154-A

\* **ONLY NON-Explosion Proof** AC Control Packages include a pre-wired control box. Models with explosion proof Control Packages have no wiring from the NEMA 7/9 control box to the motor. Please consult an electrician to complete the wiring in accordance to your local code.

\*\* Explosion Proof motors are rated for Class I Group D, and Class II Groups F and G. Variable speed models are NOT available for hazardous areas.

\*\*\* Air powered model requires plant air at 40 to 60 psi and flowing at a rate of 40 scfm. Filter, Regulator, Lubricator and valve are included with drum roller model 2-5154-A.

### Control Packages (Sold Separately)

Control Mast and the appropriate Control Box for each model. Use power controls to start and stop drum rolling. Position the control mast outside the Safety Enclosure on either the left or right side, or at the back of Drum Roller.

#### Control Mast and AC Control Box for Model 2-5154-1 or 2-5154-1 NEMA 4/12 for NON-Hazardous Areas

Includes Control Mast and Control Box with:

- Fixed Drum Rotation Speed at 20 RPM
- Timer adjusts from a few seconds to 16 hours
- Start and Stop Buttons
- Red Emergency Stop Button
- Lockable Main Disconnect to shut off and lock out power to the unit
- Wire terminals for external connection of safety interlock switch



#### Control Mast and AC Control Box for Model 2-5154-3 or 2-5154-3 NEMA 4/12 for NON-Hazardous Areas

Includes Control Box with:

- Variable Speed Drum Rotation from 1 to 30 RPM
- Timer adjusts from a few seconds to 16 hours
- Start and Stop Buttons
- Red Emergency Stop Button
- Lockable Main Disconnect to shut off and lock out power to the unit
- Wire terminals for external connection of safety interlock switch



#### Control Mast and Explosion Proof AC Control Box NEMA 7/9 for Hazardous Areas

Includes Control Mast and Explosion-Proof Control Box with:

- Fixed Drum Rotation Speed at 20 RPM (16 RPM on 50Hz models)
- Start and Stop Buttons
- Wire terminals for external connection of safety interlock switch



#### Control Mast and Air Controls are Included with Model 2-5154-A

Air Controls Include

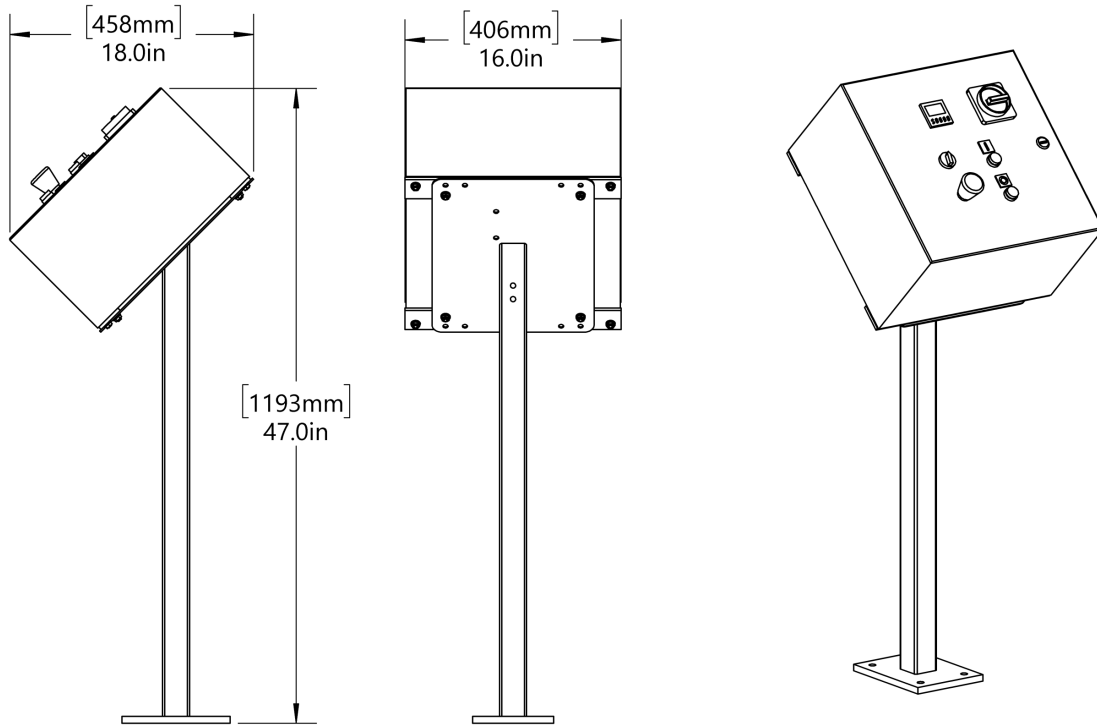
- Filter, Regulator and Lubricator (FRL)
- On / Off Valve



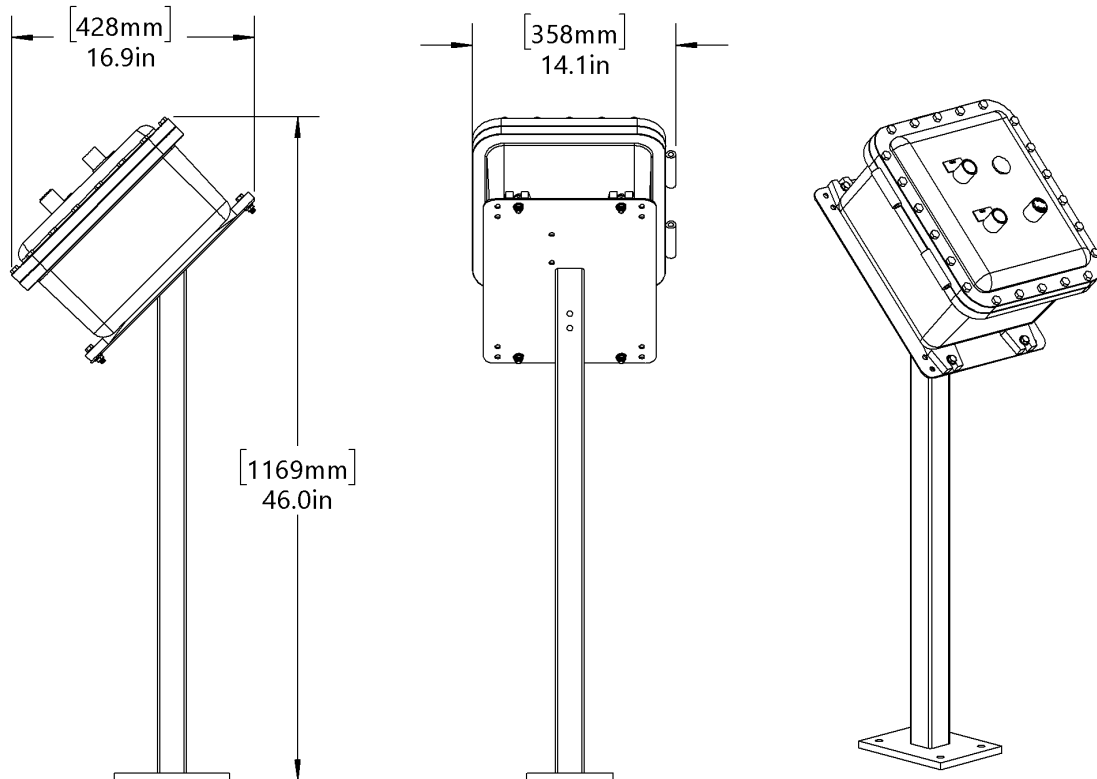
Control Package #	Description	Minimum Power Supply Required	Power Supply	Drum RPM (22.5" Dia.)	Capacity Per Drum
5996-P	Control Package for 2-5154-1	20 Amp	1-Phase 115V 60Hz	20 RPM	Liquid Load: 1000 Lb. (455 kg) Dry Load: 300 Lb. (136 kg)
5997-P	Control Package for 2-5154-1	15 Amp	1-Phase 230V 60Hz		
CP-2-5154-1-115 *	Control Package for 2-5154-3	20 Amp	1-Phase 115V 60Hz	Variable 1 to 30 RPM	Liquid Load: 1000 Lb. (455 kg) Dry Load: 300 Lb. (136 kg)
CP-2-5154-1-230 *	Control Package for 2-5154-3	15 Amp	1-Phase 230V 60Hz		
CP-2-5154-3-230 *	Control Package for 2-5154-3	15 Amp	3-Phase 230V 60Hz		
CP-2-5154-3-460 *	Control Package for 2-5154-3	10 Amp	3-Phase 460V 60Hz	20 RPM	Liquid Load: 1000 Lb. (455 kg) Dry Load: 300 Lb. (136 kg)
CP-2-5154-E1-115 *	Control Package for 2-5154-E1, Explosion-Proof	20 Amp	1-Phase 115V 60Hz		
CP-2-5154-E1-230 *	Control Package for 2-5154-E1, Explosion-Proof	15 Amp	1-Phase 230V 60Hz		
CP-2-5154-E3-208 *	Control Package for 2-5154-E3, Explosion-Proof	15 Amp	3-Phase 208V 60Hz		
CP-2-5154-E3-230 *	Control Package for 2-5154-E3, Explosion-Proof	15 Amp	3-Phase 230V 60Hz		
CP-2-5154-E3-460 *	Control Package for 2-5154-E3, Explosion-Proof	10 Amp	3-Phase 460V 60Hz		
CP-2-5154-E3-575 *	Control Package for 2-5154-E3-575, Explosion-Proof	10 Amp	3-Phase 575V 60Hz	16 RPM	Liquid Load: 1000 Lb. (455 kg) Dry Load: 300 Lb. (136 kg)
CP-2-5154-E1-220-50 *	Control Package for 2-5154-E1-50, Explosion-Proof	15 Amp	1-Phase 220V 50Hz		
CP-2-5154-E3-230-50 *	Control Package for 2-5154-E3-50, Explosion-Proof	15 Amp	3-Phase 230V 50Hz		
CP-2-5154-E3-400-50 *	Control Package for 2-5154-E3-50, Explosion-Proof	10 Amp	3-Phase 400V 50Hz		

MADE  
IN  
USA

**Control Station Dimensions for NON-Hazardous Areas**



**Control Station Dimensions with Explosion-Proof Box for Hazardous Areas**



MADE  
IN  
USA

**Guard Enclosure Kits with Safety Interlock**

**Comply with OSHA Requirements with a Morse Guard Enclosure Kit (Sold Separately)**

Guard Enclosures for Morse Stationary Drum Rollers have a safety interlock to automatically shut off the drum roller when the gate is opened. Open the enclosure gate, place your drum onto the drum roller, then close the gate to allow operation. Connections are included for air powered model only. Control Package options provide controls and connections for AC models.

Install all Morse Rotators in accordance with local requirements for enclosure and safety interlock, etc. One way to accomplish this is with a Morse enclosure with safety interlock, so the rotator automatically turns off when enclosure

door is opened. Power connections and motor controls must also comply with applicable local codes.

For OSHA compliance in the USA, see OSHA subpart O.1910.212(a)(4) "Barrels, containers, and drums. Revolving drums, barrels, and containers shall be guarded by an enclosure which is interlocked with the drive mechanism, so that the barrel, drum, or container cannot revolve unless the guard enclosure is in place."

All Morse Control Packages (see page 3) include a low-voltage transformer and wire terminals required to connect the external safety interlock switch of these Guard Enclosure Kits. Morse Control Packages and Enclosures meet OSHA regulations ONLY when installed properly with safety interlock.

Guard Enclosure Kit #	Description	Gate Switch
GEK-2-5154-1	Fits Double Stationary Drum Roller with 1-phase electric motor	AC
GEK-2-5154-3	Fits Double Stationary Drum Roller with 3-phase electric motor	AC
GEK-2-5154-E1	Fits Double Stationary Drum Roller with Explosion-proof 1-phase electric motor	AC
GEK-2-5154-E3	Fits Double Stationary Drum Roller with Explosion-proof 3-phase electric motor	AC
GEK-2-5154-A	Fits Double Stationary Drum Roller with Air motor	AIR

