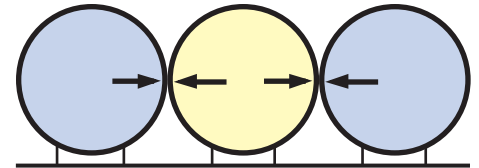


Safety-Conscious Drum Racking

The Problems

- Hazards of moving drums on and off upper racks
- Handling drums where a forklift will not fit
- Lifting drums from upright to horizontal
- Adequate rack space for drum storage

620 Series
Rack up to 8.5 feet
(2.59 m) high
Model 620-115 shown has
Battery Powered Lift and Tilt



Virtually Zero-Clearance Racking Capability!

The Solution: The affordable MORStak™ Drum Rackers

- Rack your drums up to 8.5 feet (2.59 m) high!
- Stack drums side by side with virtually zero clearance
- Easily lift, move and rack a drum
- Simple to operate
- Compact base with 6 foot (183 cm) turning radius
- Capacity: 800 Lb. (363 kg)

MADE
IN
USA

MORStak™ Drum Rackers

With the MORStak™ Drum Racker you can easily and safely lift an upright drum from the floor, tilt it to horizontal, transport it, and set it into a drum rack up to 8.5 feet high. Then reverse the entire process to retrieve your drum from the rack.

MORStak™ Drum Rackers replace expensive lift trucks. Eliminate hazardous “bare fork” handling of drums, upends and down-ends of drums, and they move in tighter spaces. MORStaks handle a drum with faucet and vent in place so the rack may serve as a multiple drum dispensing station.

The most dense racking is possible because drums need not be separated. Lifting arms fit easily into the spaces below the curvature of the drum. This enables the most efficient use of storage space.

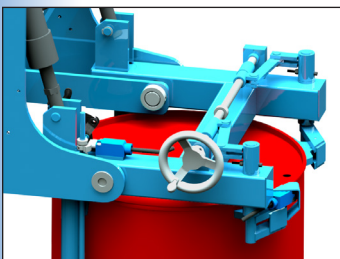
Designed to handle 55-gallon (210 liters) steel or plastic drum with suitable top rim.

Rugged two-stage frame of MORStak™ Drum Rackers provides lift range for a four tier drum rack with top shelf as high as 102” (259 cm). Single-stage MORStak™ Drum Rackers provide reach for a two tier drum rack with top shelf as high as 56” (142 cm).



Heavy duty hydraulic lift cylinders include a velocity fuse to provide a full line shut-off in the event of a line failure.

Two easy-to-use valve handles control the power lift and tilt functions. A visual indicator informs the operator of the recommended height for tipping drums. Special features prevent tilting drum from horizontal until operator secures drum in place. Choices of Air, AC, or 12V DC powered lift and tilt are available.



1. Secure the clamp to grip your drum.



2. Raise drum: Use MORStak™ drum racker to lift an upright or horizontal drum from floor.



3. Tilt drum to horizontal, then transport it to the desired location.



4. Release clamp. Then raise horizontal drum to proper height to place on rack up to 8.5' (2.59 m) high.

MORStak™ Drum Racker Model Numbers

MORStak™ Drum Rackers						
Model #	Power Source	Frame	Maximum Racking Height	Base Dimensions	Domestic Ship Weight	Domestic Ship Dimensions
620-115	12V DC *	2-Stage	8.5' (2.59 m)	60" x 41" (152 x 104 cm)	950 Lb. (432 kg)	L74" W48" H83" (188 x 122 x 211 cm)
620-114	Air **				985 Lb. (448 kg)	
620-110	AC				900 Lb. (409 kg)	
620M-114	Air				985 Lb. (448 kg)	
611-115	12V DC *	Single-Stage	56" (142 cm)	46" x 36" (117 x 91 cm)	785 Lb. (357 kg)	L74" W48" H82" (188 x 122 x 208 cm)
611-114	Air **				820 Lb. (373 kg)	
611-110	AC				735 Lb. (334 kg)	
611M-114	Air				820 Lb. (373 kg)	

* 12V DC battery powered hydraulics, includes battery and 50/60Hz charger.

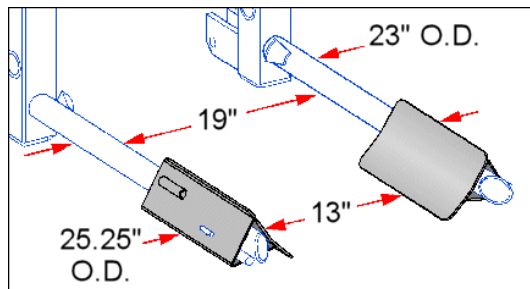
NOTE: 12V Deep Cycle Lead Acid Battery is designed for domestic shipment only. For export shipment, choose the following battery option:

- Option "NB" No Battery. Customer must obtain battery before use... Exide # 27MDP 12V Deep Cycle Battery or equivalent.

** Air motor requires 40 psi at 40 scfm. Do NOT exceed 60 psi. Install Filter, Regulator and Lubricator (Morse Part # 3869-P) in accordance with air motor manufacturer's recommendations. See [Air Motor Technical Information](#).

MORStak™ Drum Rackers handle ONLY a 55-gallon (210 liter) steel or plastic drum with top rim, and maximum weight of 800 Lb. (363 kg). They will NOT handle a smaller drum or a drum without a top rim. They have a positive drum gripping mechanism that must be manually engaged before lifting an upright drum or tilting a drum from horizontal position. As a safety feature, MORStak™ Drum Rackers will NOT allow you to tilt a drum without the clamp engaged.

Pad Kit to Lift and Rack a 55-Gallon Rimmed Plastic Drum

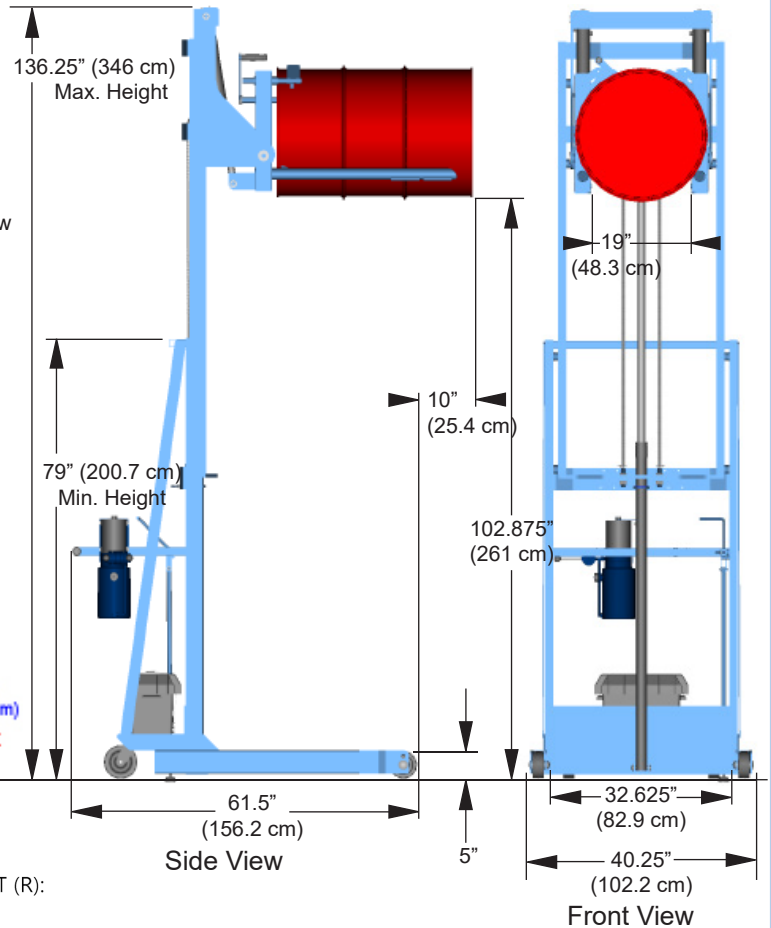
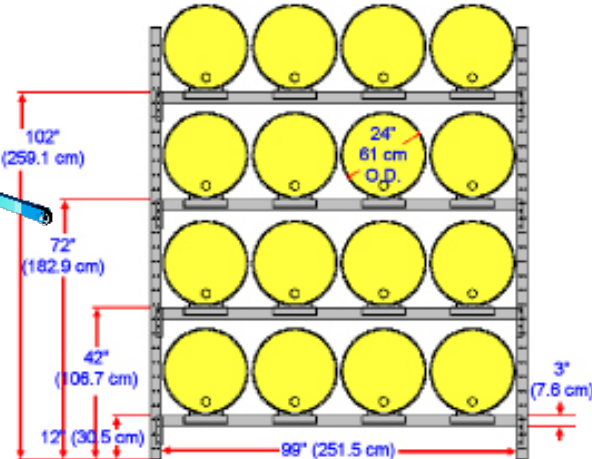
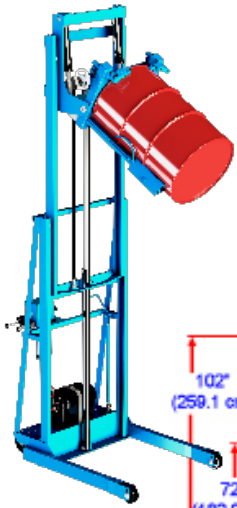


The Drum Pad Kit is included with MORStak™ Models for plastic drum. It allows you to handle a 55-gallon (210 liter) plastic drum with top rim, as well as a 55-gallon steel drum. Installing this kit reduces maximum drum cradle width from 19" (48.3 cm) to 13" (33 cm).

620 Series Two-Stage Frame MORStaks™

Rack up to 8.5' (2.59m) High

- Turning Radius: 68.25" (174 cm)
- Minimum overall height:
 - 80" (203 cm) with horizontal drum
 - 94.5" (240 cm) with upright drum
- Typical rack configuration served shown below



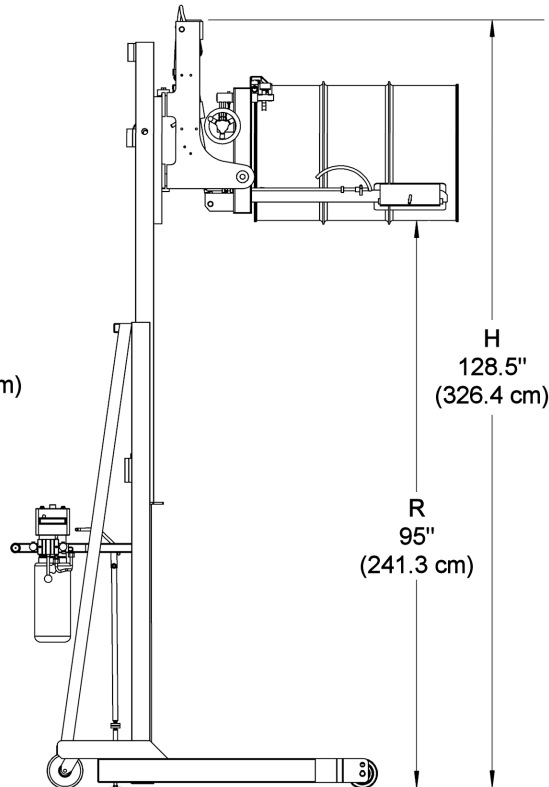
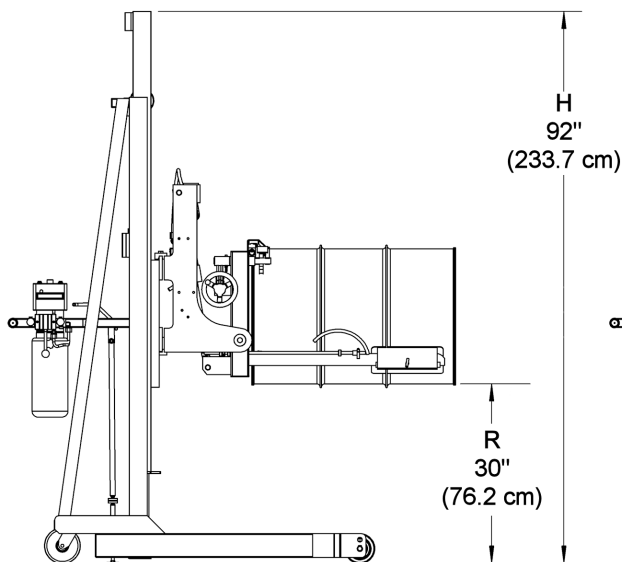
620 Series Frame Height

TO FIND APPROXIMATE FRAME HEIGHT (H) AT A GIVEN RACK HEIGHT (R):

IF RACK HEIGHT IS LESS THAN 87", USE $H = 77 + 1/2(R)$

IF RACK HEIGHT IS MORE THAN 87", USE $H = 33.5" + R$

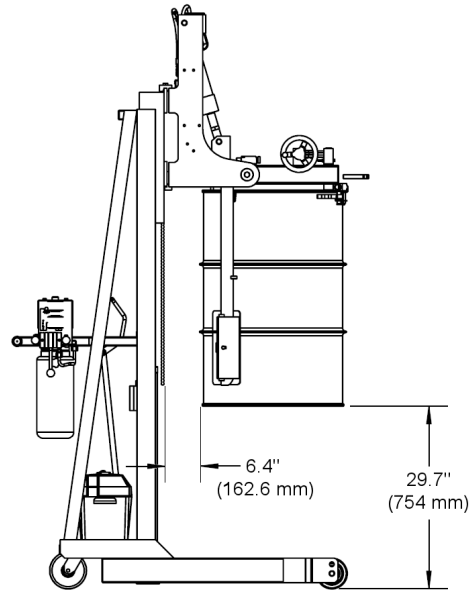
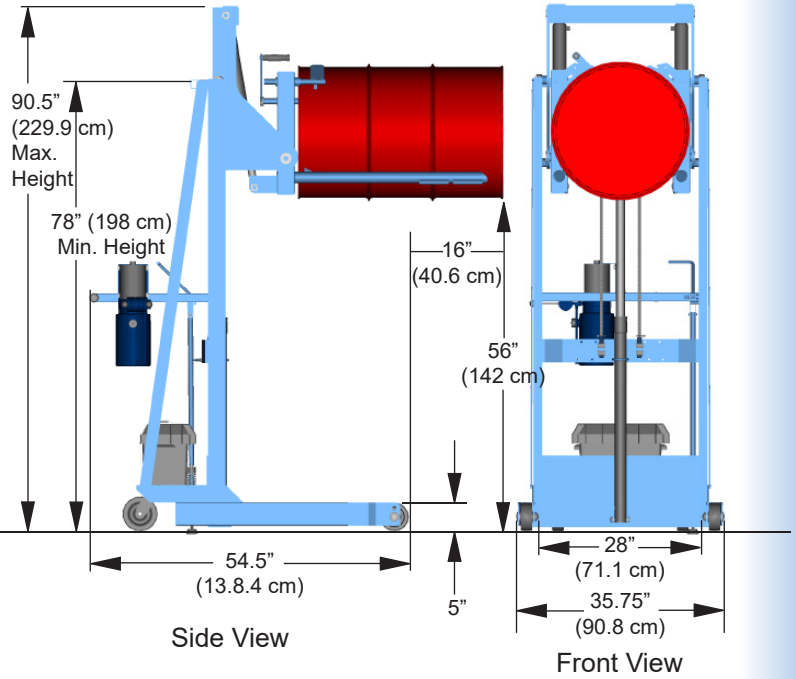
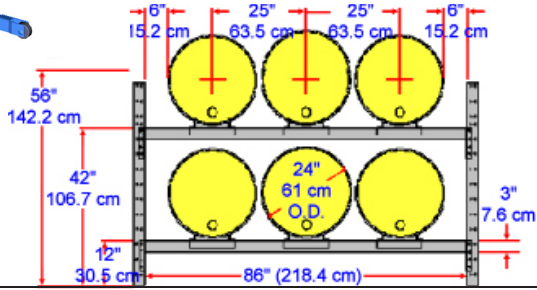
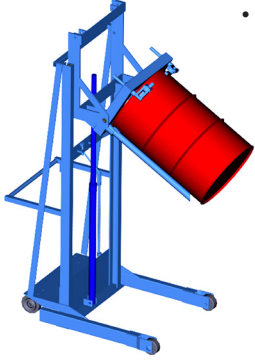
- RAISING HORIZONTAL DRUM TO 30", RESULTS IN OVERALL FRAME HEIGHT OF 92"
- RAISING HORIZONTAL DRUM TO 95", RESULTS IN OVERALL FRAME HEIGHT OF 128.5"



611 Series Single Stage Frame MORStaks™

Rack up to 56" (142 cm) High

- Turning Radius: 61" (155 cm)
- Typical rack configuration served shown below
- Minimum overall height: 78" (198 cm)



Maximum Lift Upright Drum

Faucet Clearance Dimensions

MORStak Drum Rackers will rack a drum in horizontal position with any of the following Morse Drum Faucets in place on drum:

- Model 65-20 2" (5.1 cm) Molasses Gate
- Model 65-75 3/4" (1.9 cm) Molasses Gate
- Model 68-20 2" (5.1 cm) Poly Faucet
- Model 68-75 3/4" (1.9 cm) Poly Faucet

