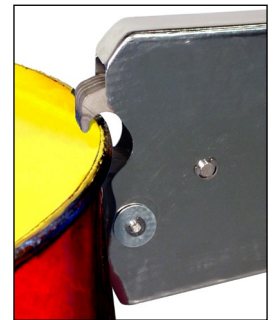
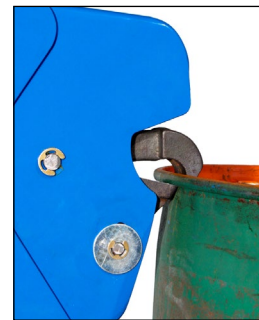


Drum Movers and Palletizers



Battery-power lift model 82H-125

- Efficiently move upright drum onto and off pallets and floor
- Handle virtually any RIMMED steel, fiber or plastic drum up to 1000 Lb. (454 kg)
 - Completely mechanical automatic drum grip
 - Securely clamps tight head or removable top drum
 - Handle drums of various diameters
 - Requires drum at least 22.5" (57.15 cm) tall
 - Requires 75 Lb. (34 kg) minimum drum weight to activate jaws
- Raise 34-7/8" (88.6 cm) tall drum up to 19" (48.3 cm) above floor. Heavy duty hydraulic lift cylinder includes velocity fuse to provide full line shut-off in event of line failure.
- Ergonomic battery, electric or air power lift
- Built to last with wide jaws for secure grip



Models with [spark resistant parts...](#) head with jaws and backrest. See models 82HM and 82HM-124.

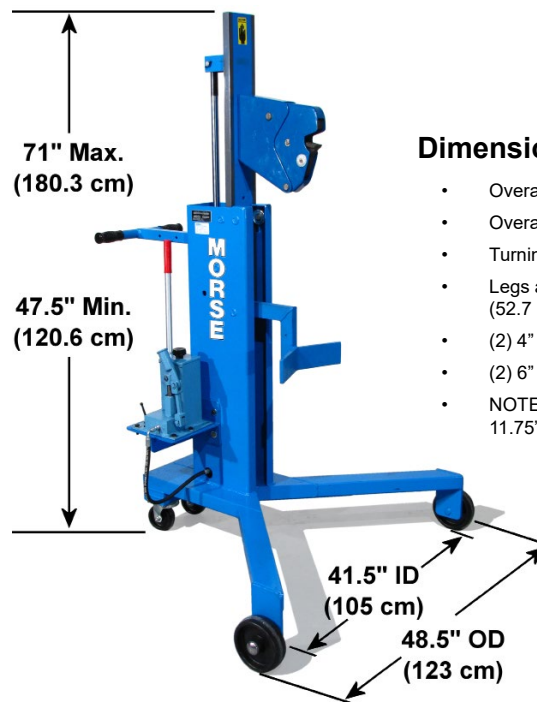
Efficiently grab, lift and move drum. Jaws in "head" provide automatic hold to carry upright drum. Gripping action is completely mechanical and automatic. Jaws grip top rim of plastic, steel or fiber drum weighing up to 1000 Lb. (454 kg).

To use, approach drum jaws below drum rim, press drum and raise to engage drum grip and lift. Move drum to desired location. Jaws release when drum is set down on floor, pallet, truck, etc.



Model 82H

Manual lift models require 27 strokes of the hand pump to raise drum to maximum height



Dimensions

- Overall width: 48.5" (123.2 cm)
- Overall length: 43" (109.2 cm)
- Turning radius: 53" (135 cm)
- Legs are 9" (22.9 cm) high and reach 20.75" (52.7 cm) in front of upright stanchion
- (2) 4" (10.2 cm) swivel casters at back
- (2) 6" (15.2 cm) wheels at front
- NOTE: A 55-gallon (210 liter) steel drum extends 11.75" (29 cm) beyond the front wheels

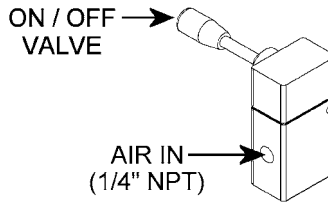
MADE IN USA



**Battery Power Lift Controls
Models 82H-125 and 82H-SS-125**

Self contained battery power-lift. Use valve to raise and lower the drum. 12V deep cycle battery and separate charger are included.

NOTE: 12V Deep Cycle Lead Acid Battery is designed for domestic shipment only. For export shipment, choose Option "NB" No Battery. Customer must obtain battery before use... Exide # 27MDP 12V Deep Cycle Battery or equivalent.

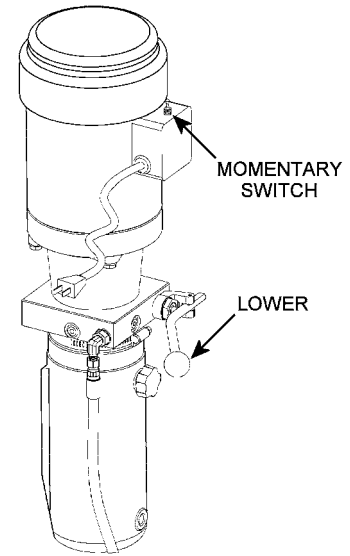


**Air Power Lift Controls
Models 82H-124, 82H-SS-124 and 82HM-124**

Use on / off valve to raise and lower the drum.

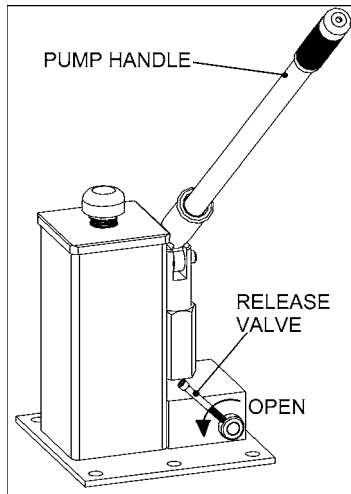
Plant Air Pressure Required to Lift Drum0

- 100 PSI to lift 1000 Lb. (454 kg) drum
- 80 PSI for 800 Lb. (363 kg) drum
- 60 PSI for 600 Lb. (272 kg) drum
- 40 PSI for 400 Lb. (181 kg) drum



**Electric Power Lift Controls
Model 82H-120 and 82H-SS-124**

Use switch to raise the drum. Lower the drum with manual release valve.



**Hand Pump Lift Control
Models 82H, 82HM and 82H-SS**

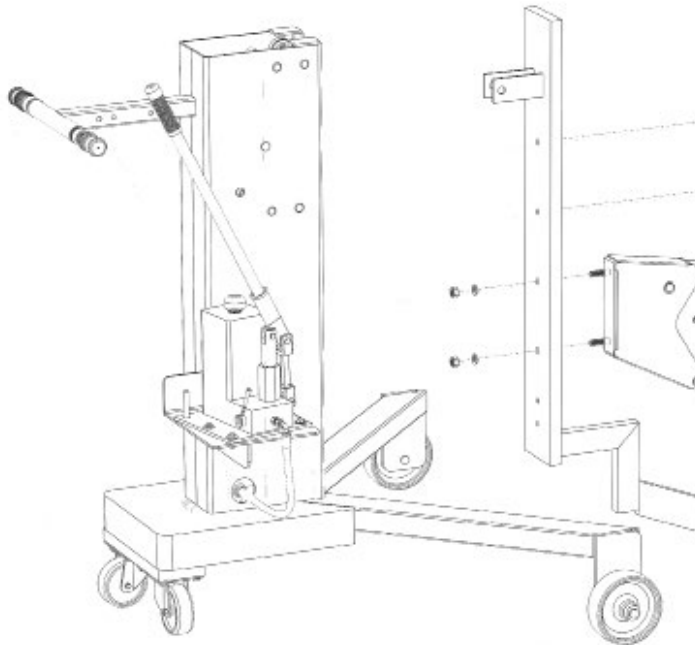
It takes 27 pumps of the hand pump to lift a drum to maximum height.

MADE
IN
USA

Model #	Drum Holder	Features	Motor Type	Motor Control
82H	Jaws and brace on sidewall	Hand Pump Lift	--	--
82H-120	Jaws and brace on sidewall	AC Power Lift	1PH/115V/60Hz, TEFC	Switch, cord and plug
82H-124	Jaws and brace on sidewall	Air Power Lift	Air Valve	On / Off valve
82H-125	Jaws and brace on sidewall	Battery Power Lift *	12V DC *	Built-in
82HM	Jaws and brace on sidewall	spark resistant parts , Hand Pump Lift	--	--
Stainless Steel Models - Made of Type 304 Stainless Steel with Bead Blast Finish				
82HM-124	Jaws and brace on sidewall	spark resistant parts , Air Power Lift	Air Valve	On / Off valve
82H-SS	Jaws and brace on sidewall	Stainless Steel, Hand Pump Lift	--	--
82H-SS-120	Jaws and brace on sidewall	Stainless Steel, AC Power Lift	1PH/115V/60Hz, TEFC	Switch, cord and plug
82H-SS-124	Jaws and brace on sidewall	Stainless Steel, Air Power Lift	Air Valve	On / Off valve
82H-SS-125	Jaws and brace on sidewall	Stainless Steel, Battery Power Lift *	12V DC *	Built-in

* 12V DC Power Lift includes 12V deep cycle battery, and 100/220V 50/60Hz AC charger.

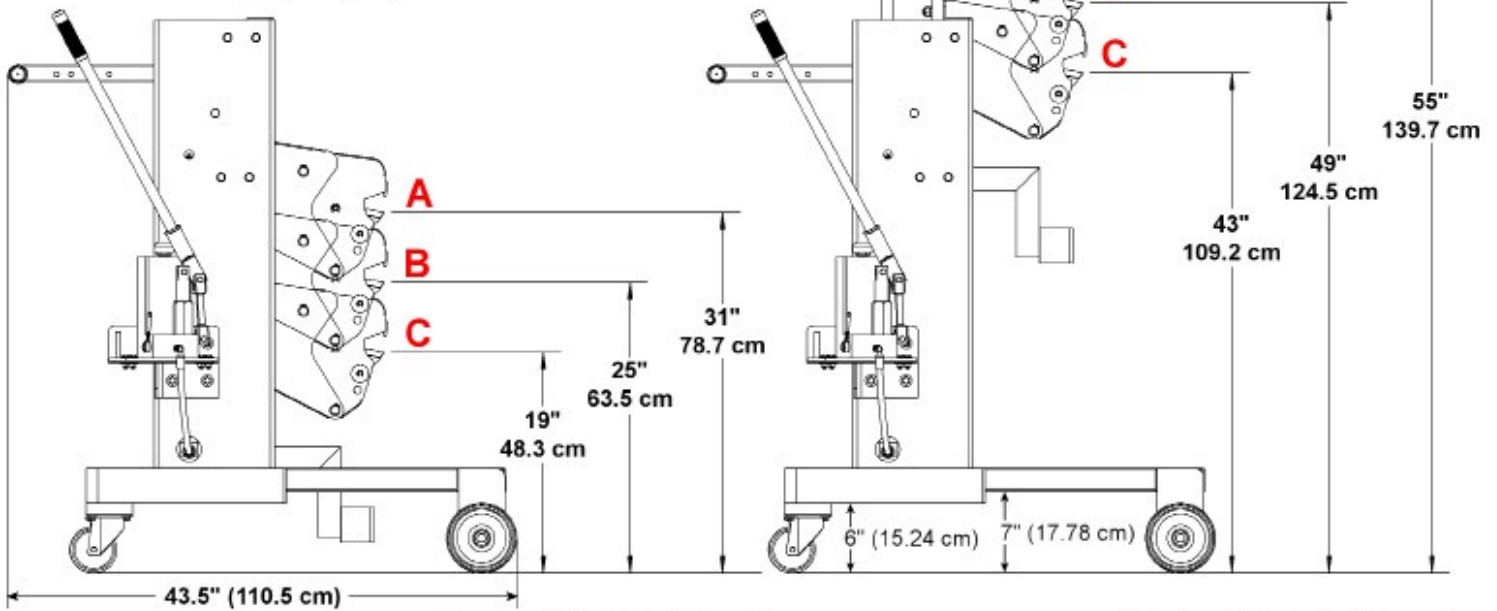
Bolt the Head to the Riser in Position **A, **B** or **C****



Height from Floor

- A.** From 31" to 55"
(78.7 to 139.7 cm)
- B.** From 25" to 49"
(63.5 to 124.5 cm)
- C.** From 19" to 43"
(48.3 to 109.2 cm)

**NOTE: A 55-Gallon (210 Liter) Steel Drum
 Extends 11.75" (29 cm) Beyond Front Wheels**



**Lowest Point of Head
 in Positions **A**, **B** & **C****

**Highest Point of Head
 in Positions **A**, **B** & **C****

MADE
 IN
 USA