

Ergonomic 5-Gallon Pail Handling

Morse PailPRO™ Series address today's high expectations for workplace ergonomics solutions for handling 5-gallon (20 liter) pails. Increase operational efficiency and improve worker safety.

- Prevent repetitive motion injuries
- Easily maneuverable, compact design
- Reduce chance of worker's compensation claims

Morse PailPRO™ Pail Handlers provide ergonomic advantage to reduce risks of repetitive motion or injury lifting heavy 5-gallon pails.

They are commonly used in manufacturing, food, pharmaceutical, processing, and paint and coating industries.

Secure pail in holder with clamp-screw mechanism. Then turn winch handle elevate pail. Easily maneuver through tight spaces and standard doorways. Lock pail in pouring position. Dispense up to 5' (152 cm) high.

Adjust floor lock to prevent Pail Handler from rolling.

Pail Handler is lightweight and extremely manageable. Safety-oriented design encloses moving parts to avoid pinch points.

- Lift, tilt and pour a 5-gallon (20 liter) pail with ease
 - Hand crank pail lift and lower
 - Hand wheel tilt control with 1:1 tilt ratio
 - Lock at various angles to dispense
- Handle 11" to 12" (28 to 30.5 cm) diameter pail
- Dispense up to 5 feet (152 cm) high
- Turn pail 360° in either direction

Model 83

Model 83 Pour Between Legs

- Swivel casters at rear
- Capacity: 150 Lb. (68 kg)



ACCESSORY

Kit # 3930-P Counter Weight Kit (NOT shown) for CUSTOMER to convert EXISTING model 83 to model 83S-XR.

IMPORTANT: Reduces capacity to 75 Lb. (34 kg).

Model 83S-XR

Model 83S-XR Extended Reach

- Pour 20" (50.8 cm) beyond front wheels
- Counter weighted, reversed base
- Swivel casters at front
- Capacity: 75 Lb. (34 kg)

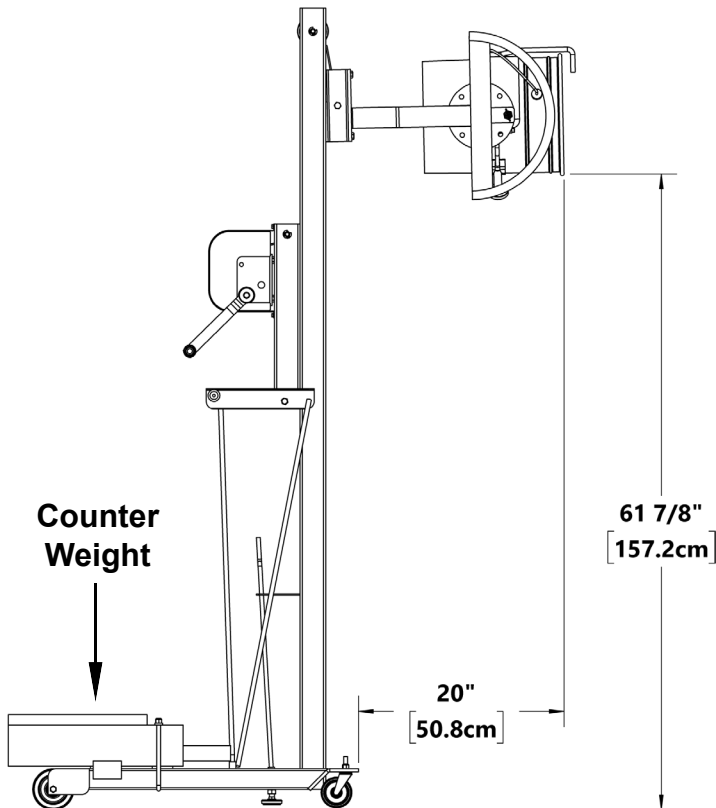
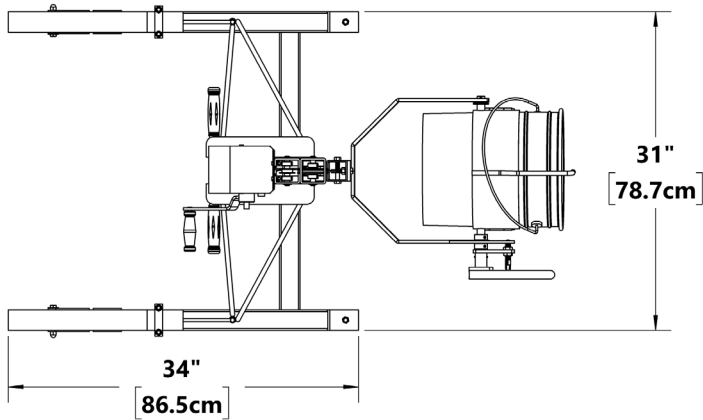


Counter Weight

MADE IN USA

**Dimensions of
 Extended Reach Model 83S-XR**

Capacity: 75 Lb. (34 kg)



**Dimensions of
 Model 83**

Capacity: 150 Lb. (68 kg)

