

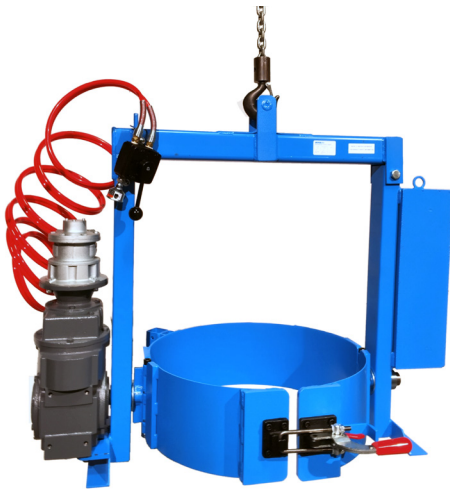
Controlled Drum Pouring with Your Hoist or Crane

Kontrol-Karriers with Power Drum Tilt Control

- Quick, sure below hook drum handling by one person with your monorail, crane, or chain block
- Improve safety and productivity
- Efficient controlled high level pouring
- Capacity: **2000 Lb. (907 kg) full drum**
1000 Lb. (454 kg) half-full drum

Unbalanced, bottom-heavy, partially full drum with shifting load is harder to tilt than a full drum.

Morse power-tilt Kontrol-Karriers for below-hook applications provide controlled drum tilt of 360° in both directions. Fully invert drum in just 15 seconds. Manipulate drum tilt angle above your reach.



Air powered models (shown above) have 3-position control valve on 6 foot (1830 mm) hose. Air motor requires air supply at 20 psi at a rate of 22 scfm. AC powered models have 2-button pendant on 7 foot (2.1 m) cord.

Power Tilt Kontrol-Karriers ship fully assembled in wooden crate.

3-Piece Drum Holder is sized to handle a 22.5" (570 mm) diameter 55-gallon (210 liter) steel drum. Use two hinged metal bands and toggle clamp to secure around drum.

Accepts Diameter Adapter 55/30-19GR for a 19" (482.6 mm) diameter 30-gallon (114 liter) steel drum.

All Morse below-hook drum lifters comply with ANSI/ASME B30.20 standard for mechanical, below-the-hook lifting devices as it applies to rated load markings and unit identification, minimum design safety factor of 3, based on yield strength, for load bearing structural components. Welding performed by certified welders who have passed the ANSI/AWS D14.1 welding qualification test.

Model #	Description	Drum Holder	Full Load Amp Draw
195G-1-115	AC Power-Tilt Kontrol-Karrier, 1/3 HP/1 phase/115V motor	3-Piece Drum Holder	6.0
195G-3-230	AC Power-Tilt Kontrol-Karrier, 1/3 HP/3 phase/230V motor		1.6
195G-3-460	AC Power-Tilt Kontrol-Karrier, 1/3 HP/3 phase/460V motor		0.8
195G-A	Air motor Power-Tilt Kontrol-Karrier		N/A
195GM-A	Air Power Control, spark resistant parts		



Steps to use Power Tilt Kontrol-Karrier

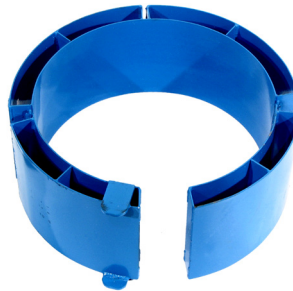
1. Attach hoist hook to lifting point of Kontrol-Karrier and move to upright drum
2. Mate Kontrol-Karrier's drum holder to middle of drum and secure between drum ribs... No tools needed
3. Lift drum and move to pouring station
4. Use controls to turn drum 360° in either direction, even while hoisted above your reach

Options and Accessories

Diameter Adapter for smaller drum

Model 55/30-19GR Diameter Adapter quickly and easily inserts into drum holder to handle 19" (483 mm) diameter 30-gallon (114 liter) steel drum.

Simply lift it back out to handle a 55-gallon (210 liter) steel drum.



Measure Drum Between Ribs to ensure Diameter Adapter fit



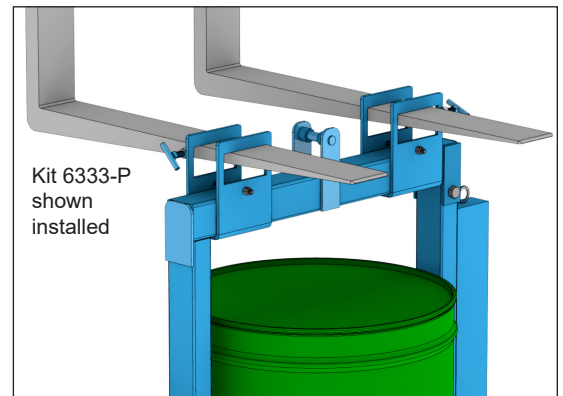
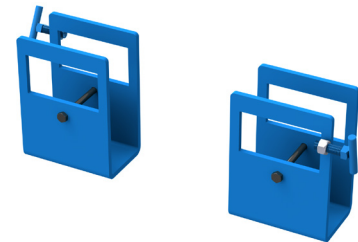
Adapter Fits Drum Outside Diameter Between Ribs

Measure outside circumference half-way down drum. Then divide by pi (3.14).

Fork Pocket Kit 6333-P

Install fork pockets to 195G Series.

NOT for model with spark resistant parts.



Dimensions

(195A Series shown)

