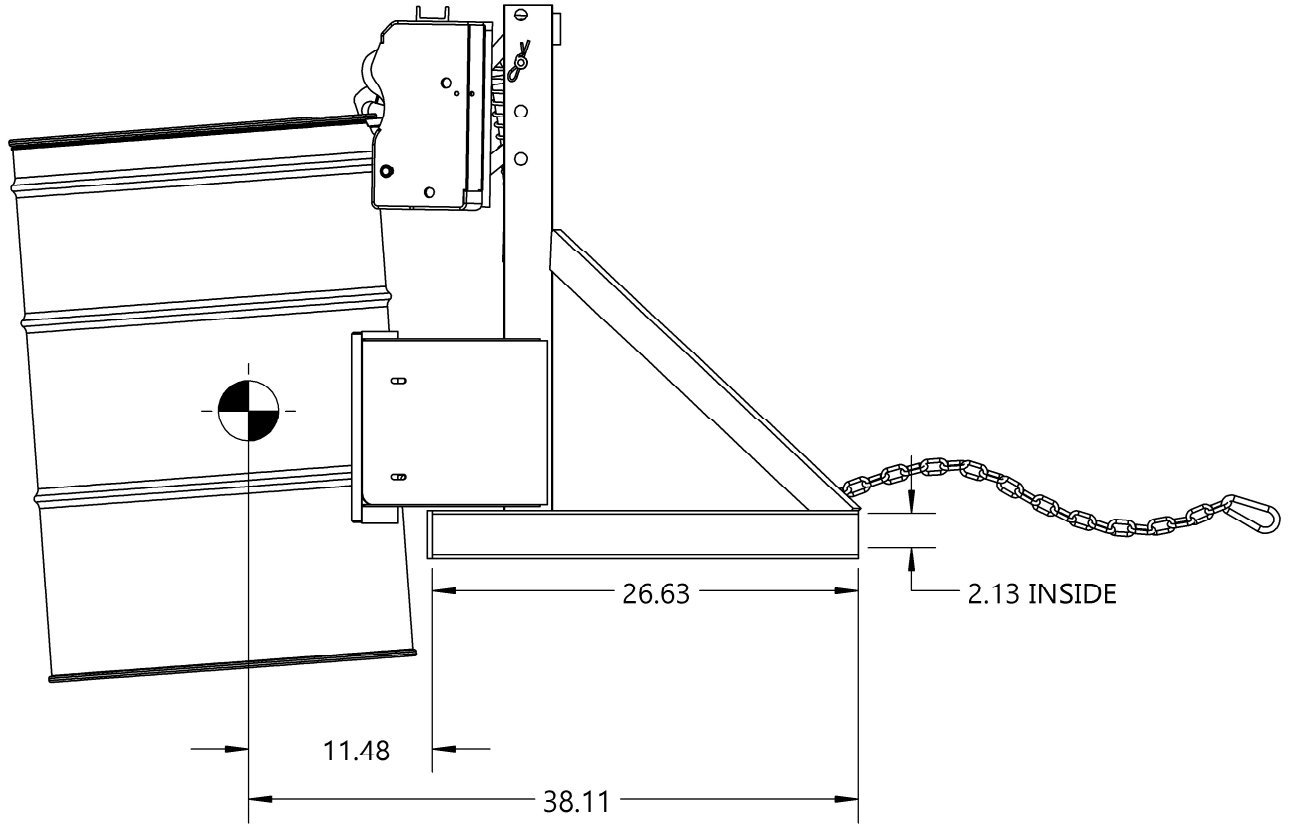
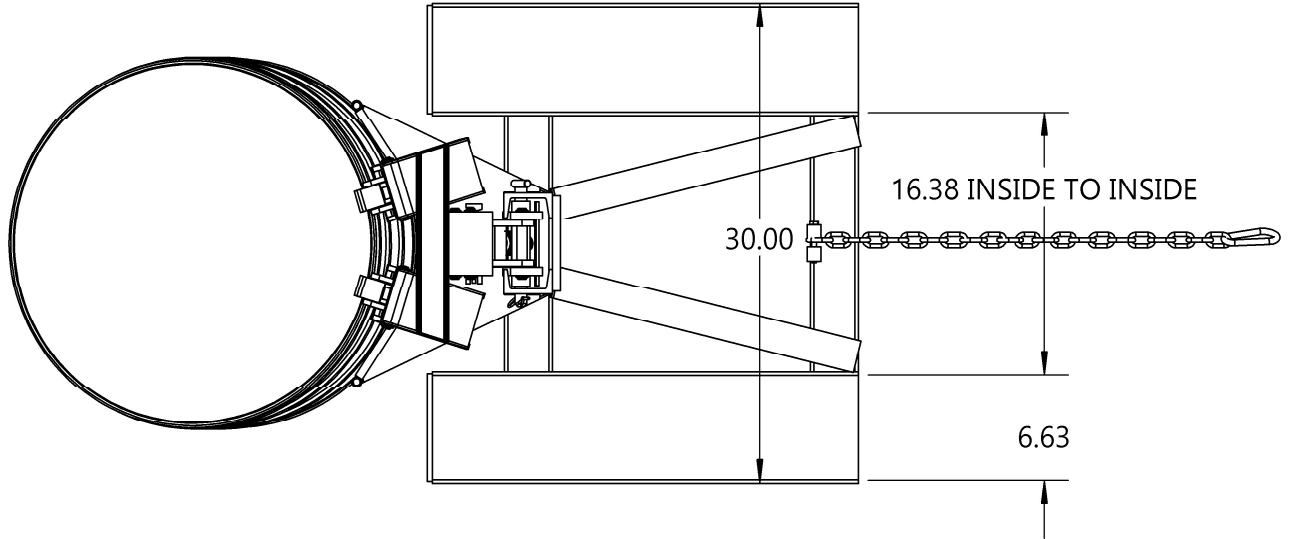



MORSE MODEL 288-1S-HD  
 - SHOWN WITH 2000LB STEEL DRUM  
 - INCLUDES 2523-P BELT KIT



CENTER OF MASS SHOWN FOR ENTIRE ASSEMBLY WITH DRUM

PROPRIETARY AND CONFIDENTIAL  
 THE INFORMATION CONTAINED IN  
 THIS DRAWING IS THE SOLE  
 PROPERTY OF MORSE MFG CO.  
 INC. ANY REPRODUCTION IN PART  
 OR AS A WHOLE WITHOUT THE  
 WRITTEN PERMISSION OF MORSE  
 MFG CO, INC. IS PROHIBITED.

	NAME	DATE	UNLESS OTHERWISE SPECIFIED:	<b>MORSE</b> 		
DRAWN		3/2/2022	DIMENSIONS ARE IN INCHES	<i>"The Specialist In Drum Handling Equipment"</i>		
ENG APPR.			TOLERANCES:			
MFG APPR.			FRACTIONAL $\pm 1/32$	TITLE: <b>SPL MORSE SPEED, 1 DRUM, 2500LB</b>		
LAST EDIT:	bmozo	3/2/2022	ANGULAR: MACH $\pm 1^\circ$ BEND $\pm 1^\circ$			
			TWO PLACE DECIMAL $\pm .02$	DWG. NO. <b>288-1S-HD COG</b>		
			THREE PLACE DECIMAL $\pm .005$			
			MATL: Material <not specified>	REV A		
			WEIGHT: LB.			
				SHEET 1 OF 1		