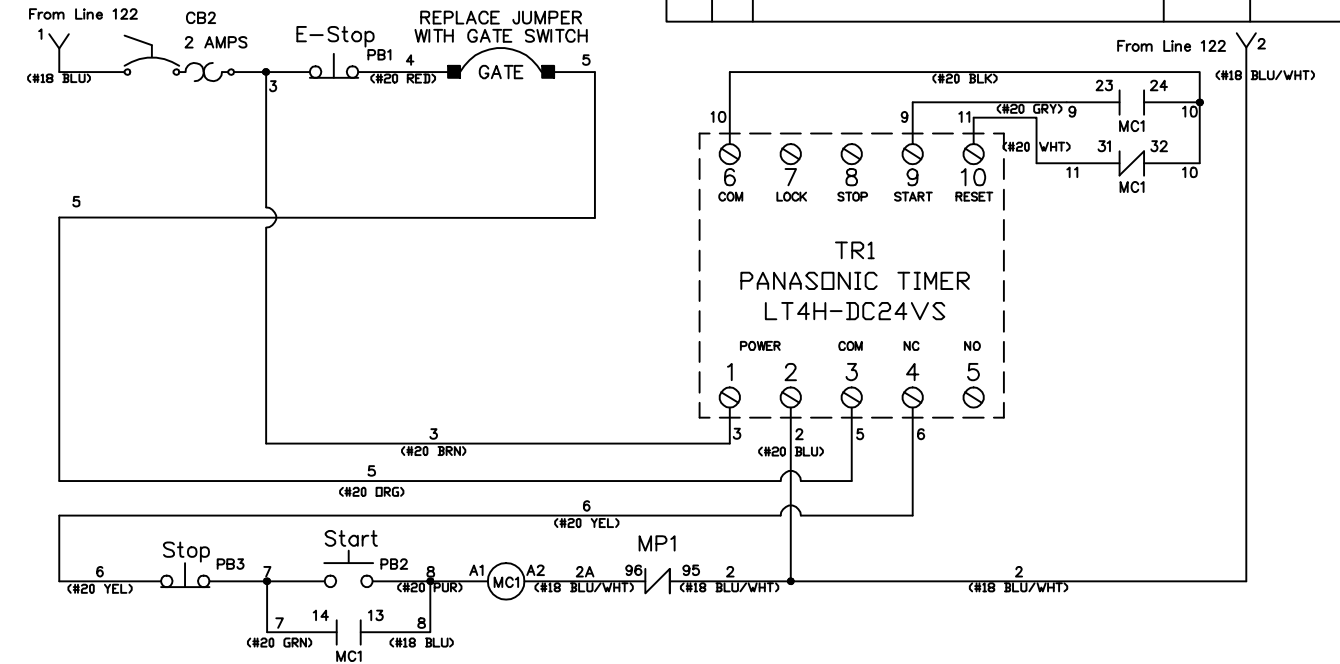
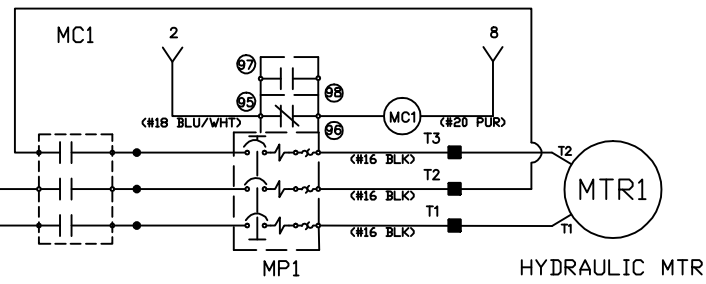
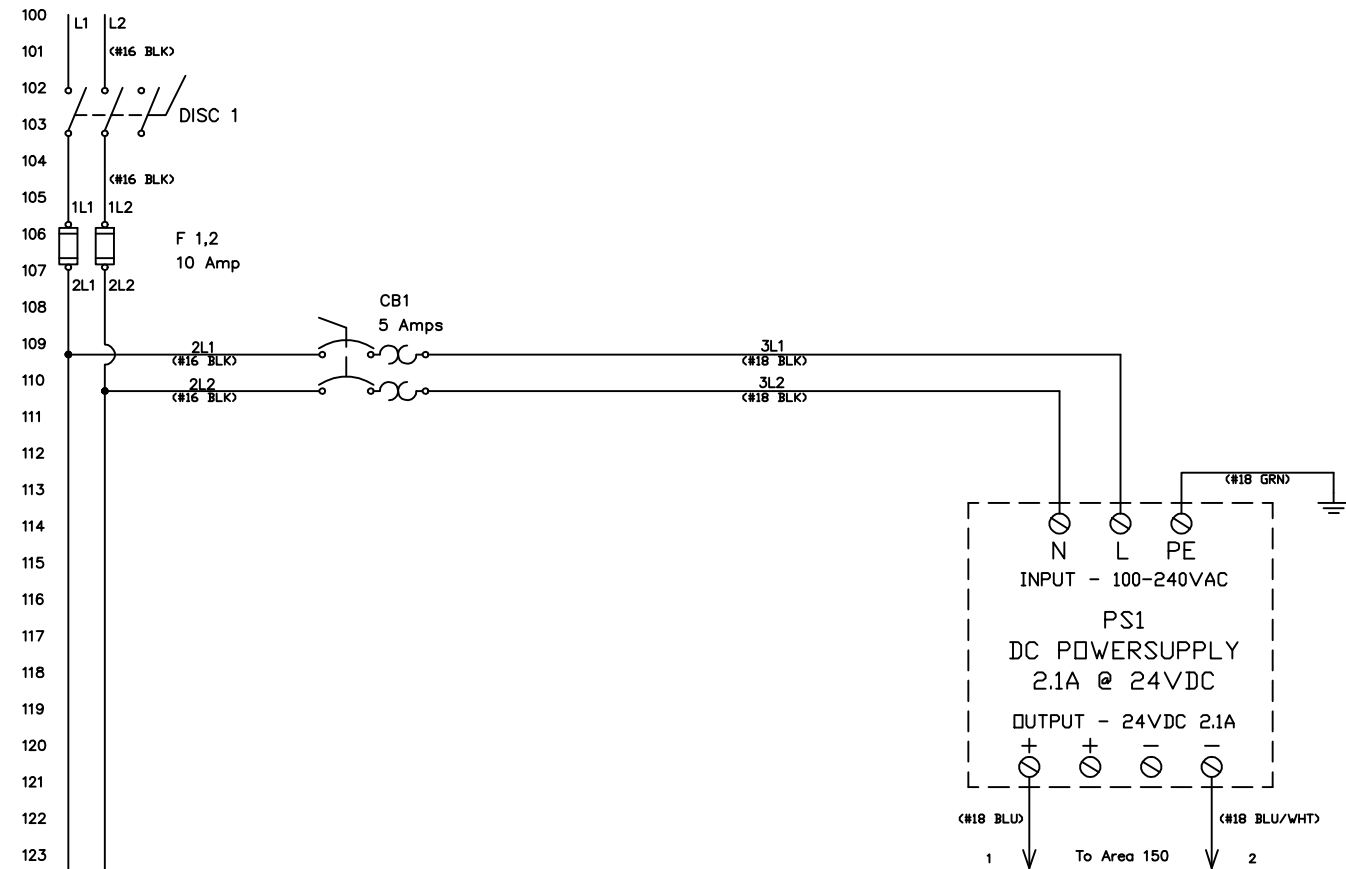
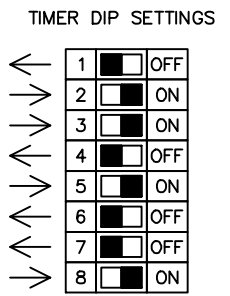


MAINS POWER
230 VAC 1 Phase
15 AMP



MANUFACTURER	PART NUMBER	DESCRIPTION	QUANTITY
Iboco	T1-0510G	WIRE DUCT	1
Electrotech	WR-35AL/S	DIN Rail	1
Eurobox (EXM)	5412 ESCH121206	Enclosure, NEMA 4-12, 12" x 12" x 6"	1
Ferraz Shawmut	ATDR10	Class CC Fuse, 10 Amp, Time Delay	2
McMaster-Carr	5891T111	Electrical Hazard Warning Label	2
Mencom	PCG-1/2X	Cable Gland	1
Mencom	PCG-1/2	Cable Gland	2
Mencom	212PA	Nut	3
Panasonic	LT4H-DC24VS	LT4H Digital Timer, 24VDC, Relay Output	1
Emerson-Sola	SVL 2-24-100	Power Supply, Input 100-240VAC, Output 24VDC @2.1A	1
Sprecher+Schuh	CA8-09C-10-24D	Contactor	1
Sprecher+Schuh	CA8-P11	Auxiliary Contact Block, 1NO/1NC	1
Sprecher+Schuh	CT8-B40	Overload Relay 2.9 to 4.0A	1
Sprecher+Schuh	D7P-E202PX01	Pushbutton, Extended Black "STOP", 1NC	1
Sprecher+Schuh	D7P-F301PX10	Pushbutton, Flush Green "START", 1NO	1
Sprecher+Schuh	D7M-MT44MX01S	E-Stop Operator	1
Sprecher+Schuh	D7-15YSE112	E-Stop Inscription Ring	1
Sprecher+Schuh	LA7-16-1753	Base Mounted 3 Pole Switch	1
Sprecher+Schuh	LFS2-N-6-175	Switch Handle Assembly	1
Sprecher+Schuh	LA2-G3393	Metal Operating Shaft	1
Sprecher+Schuh	31296	Fuse Holder, 2-Pole, CC Class	1
Sprecher+Schuh	V7-WG4	Ground Terminal	1
Sprecher+Schuh	V7-W4	Terminal	10
Sprecher+Schuh	V7-EA35	End Anchor	9
Sprecher+Schuh	V7-EB3	End Barrier	1
Sprecher+Schuh	V7-PP3	Partition	3
Sprecher+Schuh	V7-SM6X12	Marker Card	1
Sprecher+Schuh	L8-5/2/B	Circuit Breaker, 5 Amp, B-Curve	1
Sprecher+Schuh	L8-2/1/B	Circuit Breaker, 2 Amp, B-Curve	1
Sprecher+Schuh	V7-CJ6-2	Center Jumper	2



ZONE	REV	DESCRIPTION	DATE	APPROVED
-	-	-	-	-
-	-	-	-	-
-	-	-	-	-
-	-	-	-	-

THIS MATERIAL IS THE EXCLUSIVE PROPERTY OF APCI APPLIED AUTOMATION CONTROLS INC. AND MUST BE RETURNED TO APCI IMMEDIATELY UPON REQUEST. THIS MATERIAL AND INFORMATION ILLUSTRATED OR CONTAINED HEREIN MAY NOT BE REPRODUCED, COPIED, USED OR TRANSMITTED IN ANY MANNER IN ANY WAY WITHOUT THE PRIOR WRITTEN CONSENT OF APCI.

DESIGNED BY
PCW
CHECKED BY
PCW
DATE DRAWN
08/07/2019
DATE QUOTE
08/07/2019

APCI
APPLIED AUTOMATION CONTROLS INC.
1240 WOLF STREET, SYRACUSE NY 13208
PHONE 315-453-5670 FAX 315-453-5681

TITLE MDRSE 6001-P (ELECTRICAL) 230VAC 50/60HZ 1PH 0.5HP
DRAWING NO. AAC1080719B
PAGE 1 of 1