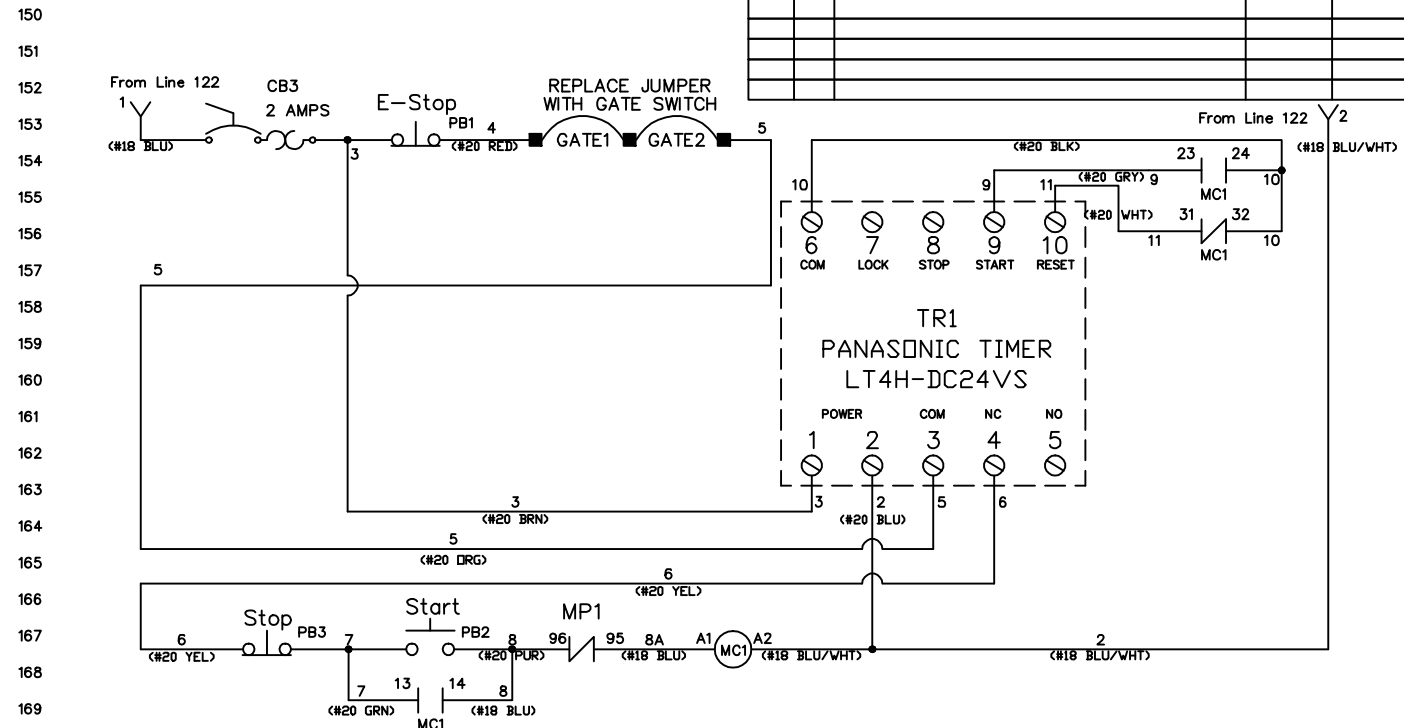
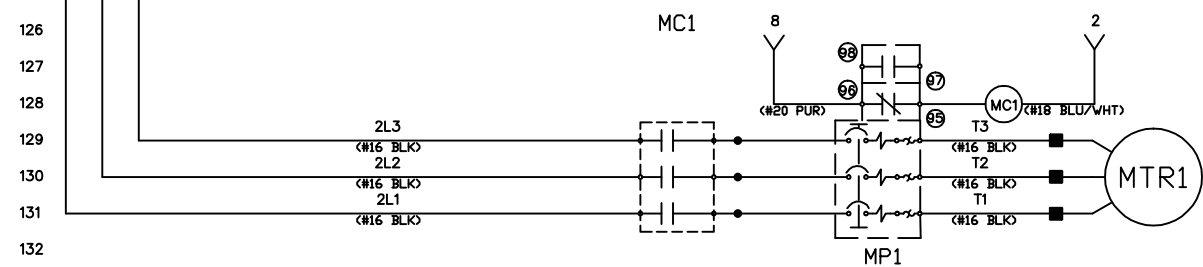
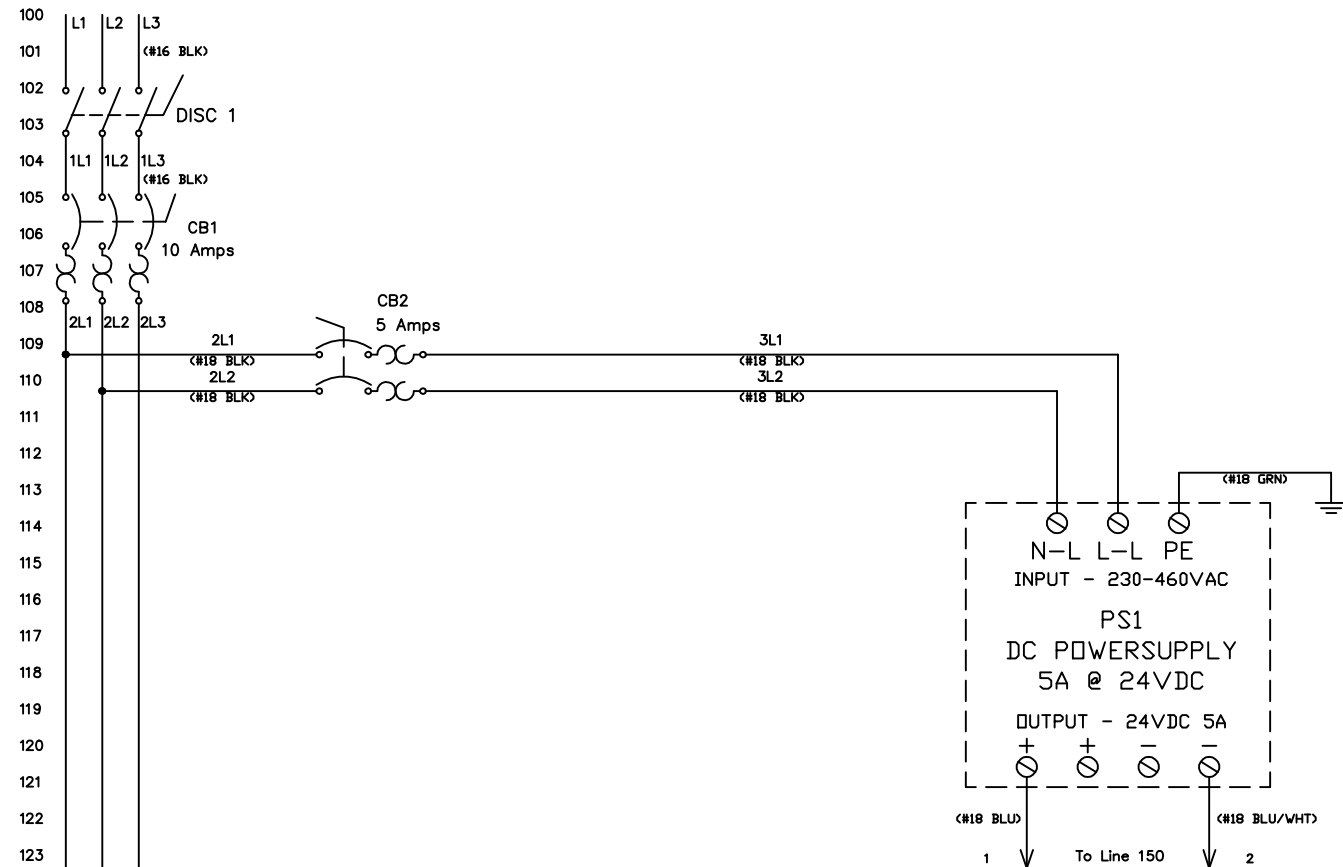


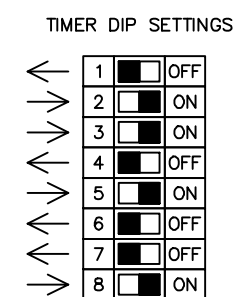
MAINS POWER
380 - 460 VAC 3 Phase
15 AMP



150
151
152
153
154
155
156
157
158
159
160
161
162
163
164
165
166
167
168
169
170
171
172
173
174
175
176
177
178
179
180
181
182
183
184
185
186
187
188
189
190
191
192
193
194
195
196
197
198
199

NO.	REV.	DESCRIPTION	DATE	APPROVED
-	-	-	-	-
-	-	-	-	-
-	-	-	-	-
-	-	-	-	-
-	-	-	-	-

*MANUFACTURER	*PART NUMBER	DESCRIPTION	QUANTITY
Iboco	T1-0510G	WIRE DUCT	1
Iboco	OMEGA 3FAL1	DIN Rail	1
Eurobox (EXM)	5412 ESCH141206	Enclosure, NEMA 4-12, 14" x 12" x 6"	1
McMaster-Carr	5891T111	Electrical Hazard Warning Label	2
Mencom	PCG-1/2X	Cable Gland	1
Mencom	PCG-1/2	Cable Gland	2
Mencom	212PA	Nut	3
Panasonic	LT4H-DC24VS	LT4H Digital Timer, 24VDC, Relay Output	1
Sprecher+Schuh	FLEX9024B	Power Supply, Input 230/460VAC, Output 24VDC @5A	1
Sprecher+Schuh	CA7-9E-10-24E	Contactors	1
Sprecher+Schuh	CA7-PV-S11	Auxiliary Contact Block, 1NO/1NC	1
Sprecher+Schuh	CEP7-1EEBB	Overload Relay 0.2 to 1.0A	1
Sprecher+Schuh	D7P-E202PX01	Pushbutton, Extended Black "STOP", 1NC	1
Sprecher+Schuh	D7P-F301PX10	Pushbutton, Flush Green "START", 1NO	1
Sprecher+Schuh	D7M-MT44MX01S	E-Stop Operator	1
Sprecher+Schuh	D7-15YSE112	E-Stop Inscription Ring	1
Sprecher+Schuh	LA7-16-1753	Base Mounted 3 Pole Switch	1
Sprecher+Schuh	LFS2-N-6-175	Switch Handle Assembly	1
Sprecher+Schuh	LA2-G3393	Metal Operating Shaft	1
Sprecher+Schuh	L9-10/3/D	Circuit Breaker, 10 Amp, D-Curve	1
Sprecher+Schuh	L8-5/2/B	Circuit Breaker, 5 Amp, B-Curve	1
Sprecher+Schuh	L8-2/1/B	Circuit Breaker, 2 Amp, B-Curve	1
Sprecher+Schuh	V7-WG4	Ground Terminal	1
Sprecher+Schuh	V7-W4	Terminal	10
Sprecher+Schuh	V7-EA35	End Anchor	9
Sprecher+Schuh	V7-EB3	End Barrier	1
Sprecher+Schuh	V7-PP3	Partition	1
Sprecher+Schuh	V7-SM6X12	Marker Card	1
		Legend Plate, 0.75" x 0.75", "0"	1
		Legend Plate, 0.75" x 0.75", "1"	1



*FUNCTIONALLY EQUIVALENT COMPONENTS MAY BE SUBSTITUTED

DESIGNED BY
PCW
CHECKED BY
PCW
DATE DRAWN
05/16/2022
DATE GOOD
05/16/2022

AACI
APPLIED AUTOMATION CONTROLS INC.
1240 WOLF STREET, SYRACUSE NY 13208
PHONE 315-453-5670 FAX 315-453-5681

THIS MATERIAL IS THE EXCLUSIVE PROPERTY OF AACI. ANY REPRODUCTION OR TRANSMISSION OF THIS MATERIAL OR INFORMATION CONTAINED HEREIN WITHOUT THE WRITTEN CONSENT OF AACI IS PROHIBITED.

TITAN MORSE 6495-P (ELECTRICAL) 380 TO 460VAC 50/60HZ 3PH 0.5HP
AACI051622A 1 of 1 00