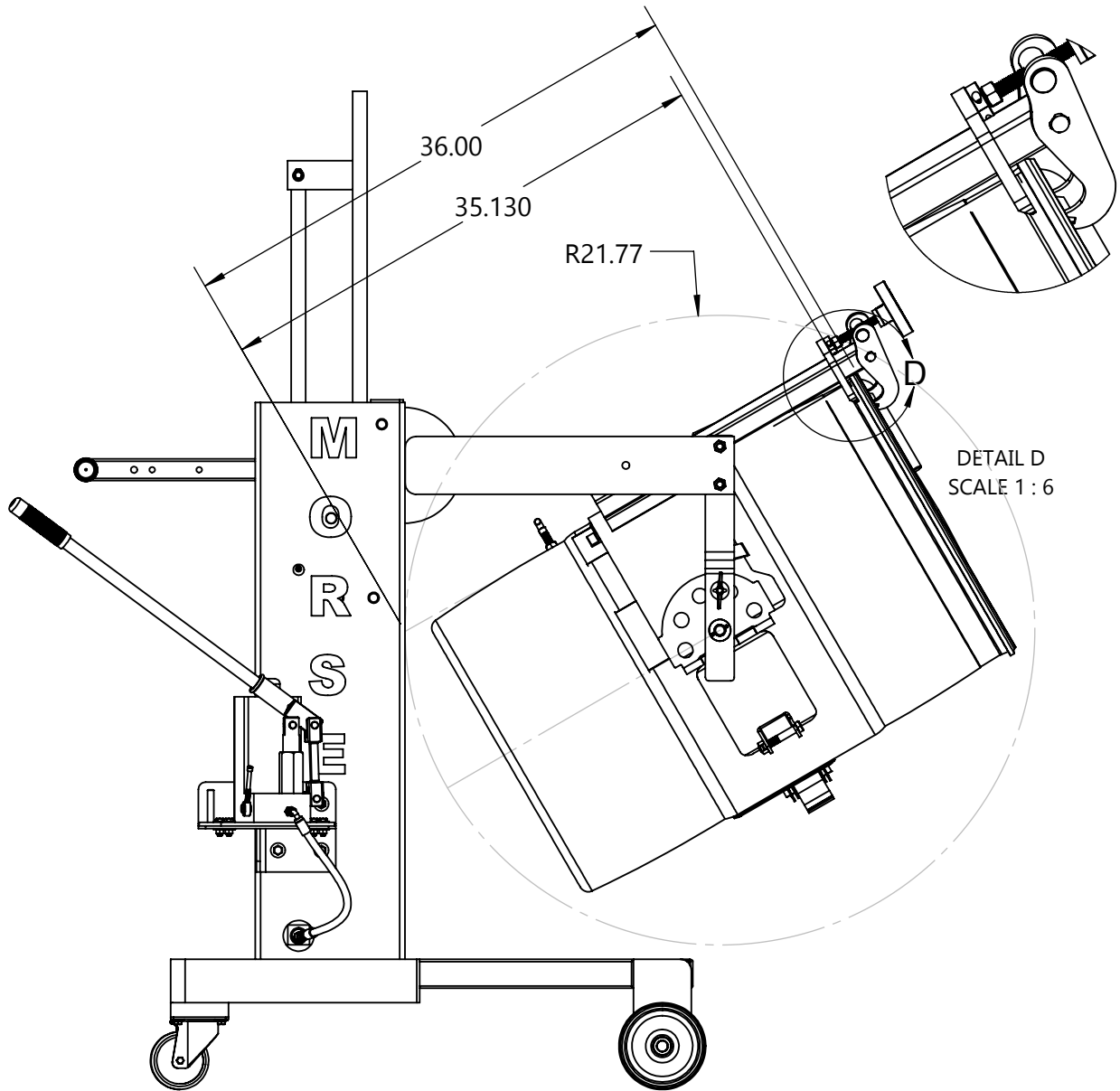


MORSE MODEL 82A
 MAX SWING CLEARANCE:
 35" FROM TOP OF JAW TO BOTTOM OF DRUM
 OR APPROX 36" OVERALL HEIGHT OF DRUM



	NAME	DATE
DRAWN		
ENG APPR.		
MFG APPR.		

MORSE
 Manufacturing Company, Inc.

LAST EDIT DATE:		
2/12/2018		
EDITED BY:		
bmozo		
WEIGHT:	LB.	
MATL: Material <not specified>		

TITLE:		
MOBILE-KARRIER, PALLET ML MT		
SIZE	DWG. NO.	REV.
A	82A SWING CLEARANCE	
SCALE:1:32		SHEET 1 OF 1

PROPRIETARY AND CONFIDENTIAL
 THE INFORMATION CONTAINED IN
 THIS DRAWING IS THE SOLE
 PROPERTY OF MORSE MFG CO, INC.
 ANY REPRODUCTION IN PART OR AS
 A WHOLE WITHOUT THE WRITTEN
 PERMISSION OF MORSE MFG CO,
 INC. IS PROHIBITED.

UNLESS OTHERWISE SPECIFIED:
 DIMENSIONS ARE IN INCHES
 TOLERANCES:
 FRACTIONAL ± 1/32
 ANGULAR: MACH ±1° BEND ±1°
 TWO PLACE DECIMAL ±.02
 THREE PLACE DECIMAL ±.005