

## CONTENTS

- Receiving Procedures
- Warranty
- Safety Information
- Installation Instructions
- Operating Instructions
- Maintenance

### Receiving Procedures

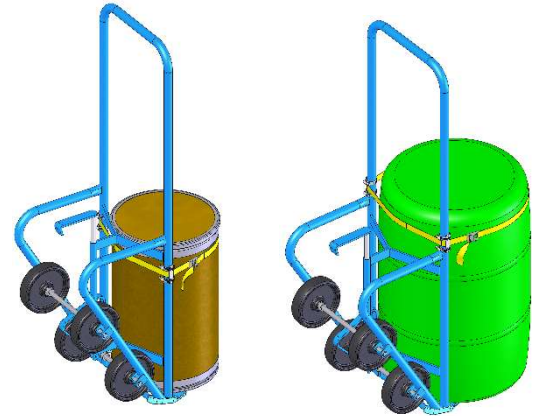
Every Morse drum handler is inspected prior to shipping. However, damage may be incurred during transit.

- Check for visible damage. If you choose to accept damaged freight, always sign noting the damage on the **BILL OF LADING**.
- Document the damage and have the truck driver sign. We recommend keeping a digital camera at your receiving dock for this purpose.
- Open packages expeditiously to check the condition of the goods. There is only a 24 hour window to notify the carrier of any concealed damage.
- **IMMEDIATELY REPORT ALL DAMAGE TO THE SHIPPING COMPANY!** Then you may contact Morse for assistance with your freight claim.
- Morse Manufacturing will not be held responsible for any damaged freight that is not signed for as damaged.

Delivery to non-business addresses without a loading dock result in additional freight charges. Residential delivery fees, inside delivery fees, re-delivery charges, and lift gate services will be added by the truck line, and are non-negotiable.

### Limited 2 Year Warranty

Morse drum handling equipment is guaranteed against defects in workmanship or materials for **TWO YEARS** when used properly within its rated capacity. Warranty does not cover wear from normal use or damage from accident or abuse. Motors and other purchased parts carry the warranties of their manufacturers.



For warranty claims, contact your Morse Dealer to obtain a return authorization number, and for return freight advice. Return freight must be prepaid.

In all instances, liability is limited to the purchase price paid or to repairing or replacing the product. Customer assumes liability for any modifications, unauthorized repairs or parts substitution.

### Safety Information

While Morse Manufacturing Co. drum handling equipment is engineered for safety and efficiency, a high degree of responsibility must be placed upon the machine operator to follow safe practices, based primarily on common sense, upon which true safety depends.

Failure to follow the safety precautions in this manual can result in personal injury or property damage. Observe the same precautions as with similar machinery where carelessness in operating or maintenance is hazardous to personnel. Carefully read the safety precautions below and throughout this manual.

Review the Material Safety Data Sheet(s) for the material(s) in the drum(s) and take all necessary precautions. Safety shoes, work gloves, hard hat and other personal protective devices are recommended.

Prior to initial use, inspect all moving parts and test rotation of wheels. Perform necessary inspections, operator training, etc.



**DANGER** - Indicates a situation which, if not avoided, will result in serious injury or death. This signal word is limited to the most extreme situations.



**WARNING** - Indicates a situation which, if not avoided, could result in serious injury or death.



**CAUTION** - Indicates a situation which, if not avoided, can result in damage to the machine.

	<b>WARNING</b> - Do Not Modify the Unit. Under no circumstances should any modifications be made to the Morse machinery without factory authorization. Any modifications may void the warranty. This machine was designed to perform a specific job and alterations may result in injury to operator or machine.
	<b>WARNING</b> - No Loose Fitting Clothing. Wear close-fitting clothing and safety equipment appropriate to the job. Loose fitting clothing may become caught on the machinery and cause severe personal injury.
	<b>CAUTION</b> - Wear safety shoes with non-slip soles and hard toe protection.
	<b>CAUTION</b> - DO NOT allow drum to impact on floor, ground, etc.

## Installation Instructions

1. Lay strap, on flat surface and mark approximately 4 feet from buckle.
2. Feed the strap end through the buckle to make approximately a 2 foot circle.
3. For right handed operation: While standing on the wheel side of the drum truck, place the strap circle around the handle bars with the buckle on the right side as shown.
4. Position strap at correct height for drums being handled.
  - A. For 55-gallon drum, position the strap just above the mid pipe as shown in figure A.
  - B. For shorter drum, such as 30-gallon, position strap lower on the drum truck frame, as shown in figure B.
5. Pull the strap end to remove slack. This will hold strap in position for next step.
6. Unscrew the four hose clamps to free the ends.
7. Place a hose clamp over the drum truck handle pipe above and below the strap on both pipes, as shown.
8. Reinsert the hose clamp band and screw a couple of threads.
9. Place the steel plates over the strap and within the hose clamps on both bars, as shown.
10. Screw hose clamps a couple more turns to hold steel plates in place.
11. Press the release tab on the strap buckle and pull strap back through to give slack.
12. Standing on the wheel side of the drum truck pull strap through the left steel plate to the mark you made earlier.
13. Tighten all hose clamps to finish as shown.

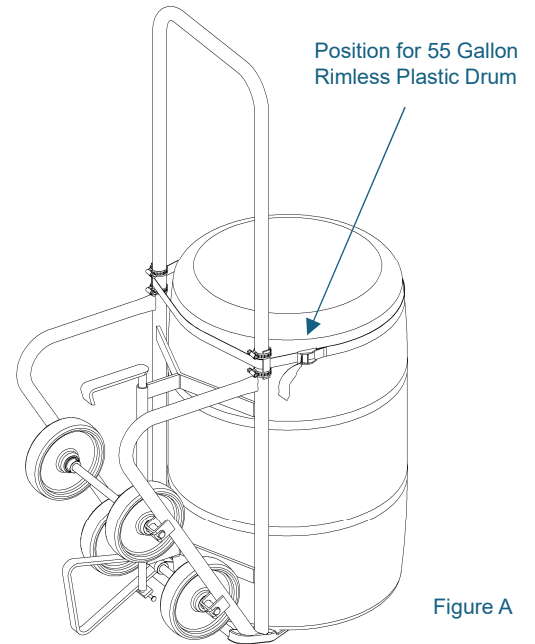


Figure A

## Operating Instructions

1. Place Morse 4-Wheel Drum Truck with Strap Kit installed close to upright drum and press down on the hook lever to engage the stand and hold the truck upright.
2. Take the long end of the strap with buckle and wrap it around the drum in a clockwise motion.
3. Take the other end of the strap and thread it through the buckle.
4. While pushing the drum truck handlebar toward the drum pull the strap end tight to remove slack.
5. With one foot on the wheel axle pull the drum truck handlebar while pushing down with your foot to force the bottom toes under the drum.
6. Move and use drum as desired.
7. When finished with drum, check that strap is still in proper position and is still snug on drum.
8. Carefully lift drum truck handlebar to allow drum to sit upright back on floor.
9. Press down on the drum truck hook lever to engage the stand and hold the drum truck in an upright position.
10. Press the release tab on the strap buckle and pull strap back through to give slack to allow removing strap.
11. Pull the drum truck hook lever to release the stand and push the drum truck handle forward slightly to pop the toes out from under the drum.
12. Hold the excess strap between the handle and your hand to prevent the strap from dragging.

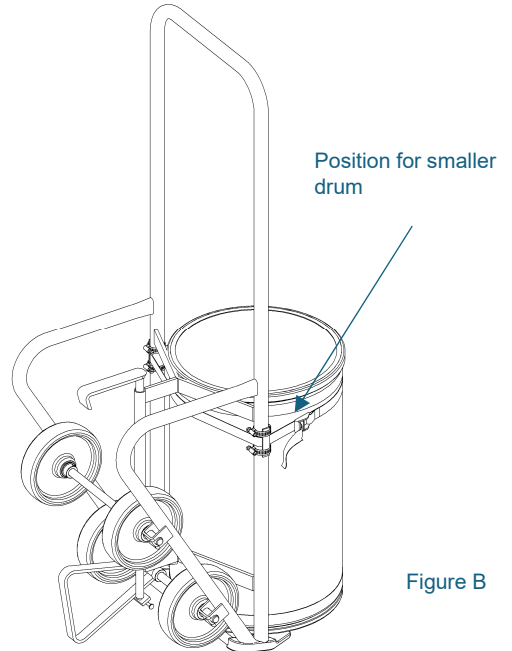


Figure B