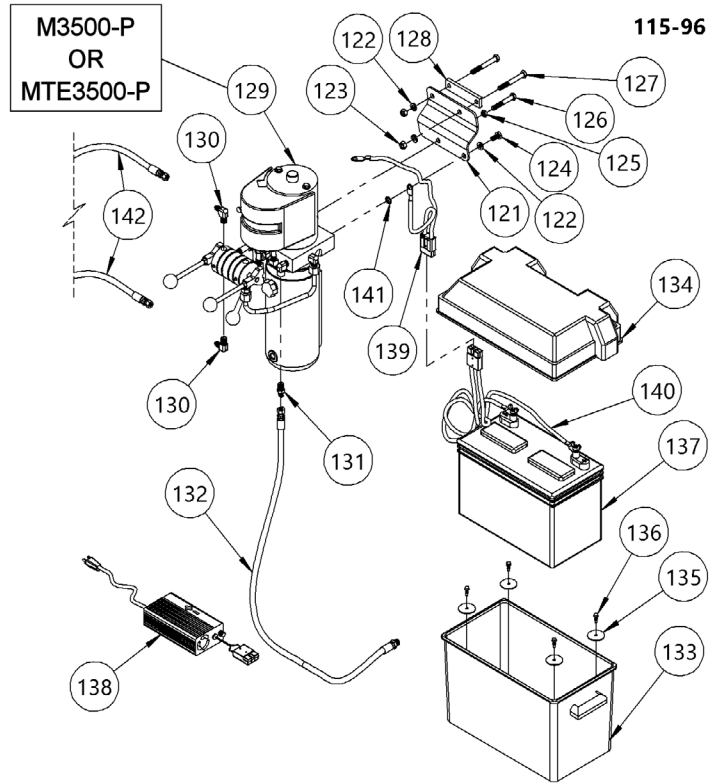


Parts Diagram for DC Power Lift and Tilt Components
Used on Morse 96" Lift Hydra-Lift Drum Pourers
with 6-digit serial number 315000 to 399999
with 4-digit serial number 0217 to 0222 (MMYY)

IMPORTANT NOTE
4-Digit serial numbers are simply the month & year of manufacture
Example: 0802 is August 2002



| ITEM NO. | PART NUMBER | DESCRIPTION | QTY. |
|----------|-----------------|--------------------------------|------|
| 121 | 3643-P | MOUNT PLATE, POWER PUMP | 1 |
| 122 | 1474-P | WASHER, 3/8 SPLIT LOCK | 3 |
| 123 | 149-P | NUT, 3/8-16 FIN HEX | 2 |
| 124 | 1657-P | HHCS, 3/8-16 X 3/4 GR2 | 1 |
| 125 | 1165-P | NUT, 3/8-16 JAM | 1 |
| 126 | 155-P | HHCS, 3/8-16 X 2-1/2 GR2 | 1 |
| 127 | 1521-P | HHCS, 3/8-16 X 3 GR5 | 2 |
| 128 | 5848-P | BACK BRACKET, PUMP MOUNT, 400 | 1 |
| 129 | M3500-P (SHOWN) | HYD POWER PACK, -115 | 1 |
| 129 | MTE3500-P | HYD POWER PACK, -115 MTE | 1 |
| 130 | 765-P | HYD FIT, MALE ELBOW, FLARE 400 | 2 |
| 131 | 345-P | HYD FIT, MALE FLARE, 456, 82 | 1 |
| 132 | 3689-P | HYD HOSE ASM, 31" | 1 |
| 133 | 1729-P | BOTTOM, BATTERY BOX, 400 | 1 |
| 134 | 1728-P | TOP, BATTERY BOX, 400, 285A-BP | 1 |
| 135 | 4168-P | WASHER, 7/32, 1-1/2 OD, FENDER | 4 |
| 136 | 193-P | SCREW, TEK, 12-14 X 3/4 3 PT | 4 |
| 137 | 388-P | BATTERY, 12V DC | 1 |
| 138 | 391-P | CHARGER 12V 50HZ 60HZ 100-240V | 1 |
| 139 | 404-P | HARNESS, PUMP CABLE, 20/20 | 1 |
| 140 | 403-P | HARNESS, BATTERY CABLE, 20/30 | 1 |
| 141 | 1739-P | WASHER 3/8 INTERNAL TOOTH LOCK | 1 |
| 142 | 1765-P | HYD HOSE ASM, 101", 96 PT | 2 |