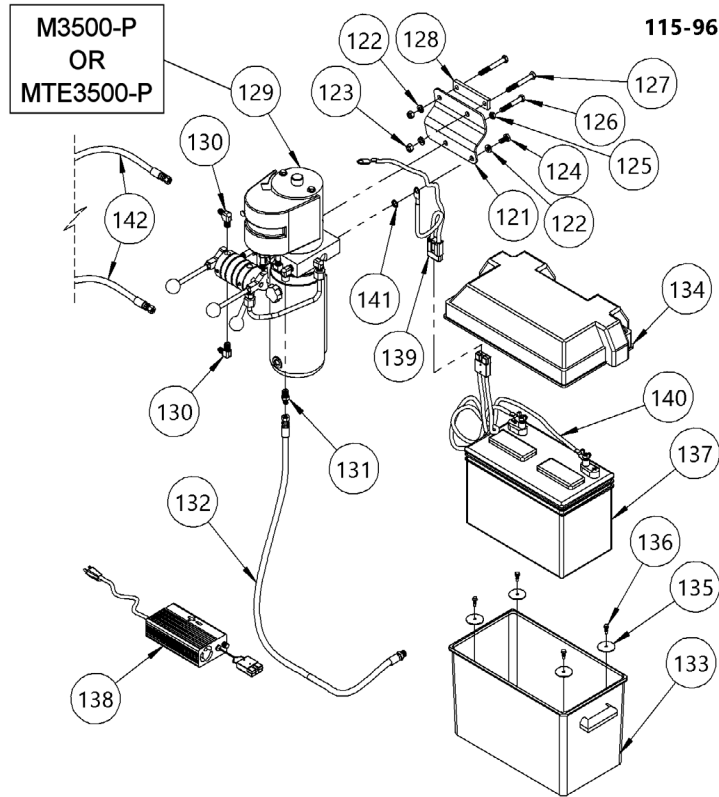


Parts Diagram for DC Power Lift and Tilt Components
Used on Morse 96" Lift Hydra-Lift Drum Pourers
with 6-digit serial number 400000 to 416710



ITEM NO.	PART NUMBER	DESCRIPTION	QTY.
121	3643-P	MOUNT PLATE, POWER PUMP	1
122	1474-P	WASHER, 3/8 SPLIT LOCK	3
123	149-P	NUT, 3/8-16 FIN HEX	2
124	1657-P	HHCS, 3/8-16 X 3/4 GR2	1
125	1165-P	NUT, 3/8-16 JAM	1
126	155-P	HHCS, 3/8-16 X 2-1/2 GR2	1
127	1521-P	HHCS, 3/8-16 X 3 GR5	2
128	5848-P	BACK BRACKET, PUMP MOUNT, 400	1
129	M3500-P (SHOWN)	HYD POWER PACK, -115	1
129	MTE3500-P	HYD POWER PACK, -115 MTE	1
130	6648-P	HYD FIT, EL, SAE 4, FLARE	2
131	345-P	HYD FIT, MALE FLARE, 456, 82	1
132	3689-P	HYD HOSE ASM, 31"	1
133	1729-P	BOTTOM, BATTERY BOX, 400	1
134	1728-P	TOP, BATTERY BOX, 400, 285A-BP	1
135	4168-P	WASHER, 7/32, 1-1/2 OD, FENDER	4
136	193-P	SCREW, TEK, 12-14 X 3/4 3 PT	4
137	388-P	BATTERY, 12V DC	1
138	391-P	CHARGER 12V 50HZ 60HZ 100-240V	1
139	404-P	HARNESS, PUMP CABLE, 20/20	1
140	403-P	HARNESS, BATTERY CABLE, 20/30	1
141	1739-P	WASHER 3/8 INTERNAL TOOTH LOCK	1
142	1765-P	HYD HOSE ASM, 101", 96 PT	2