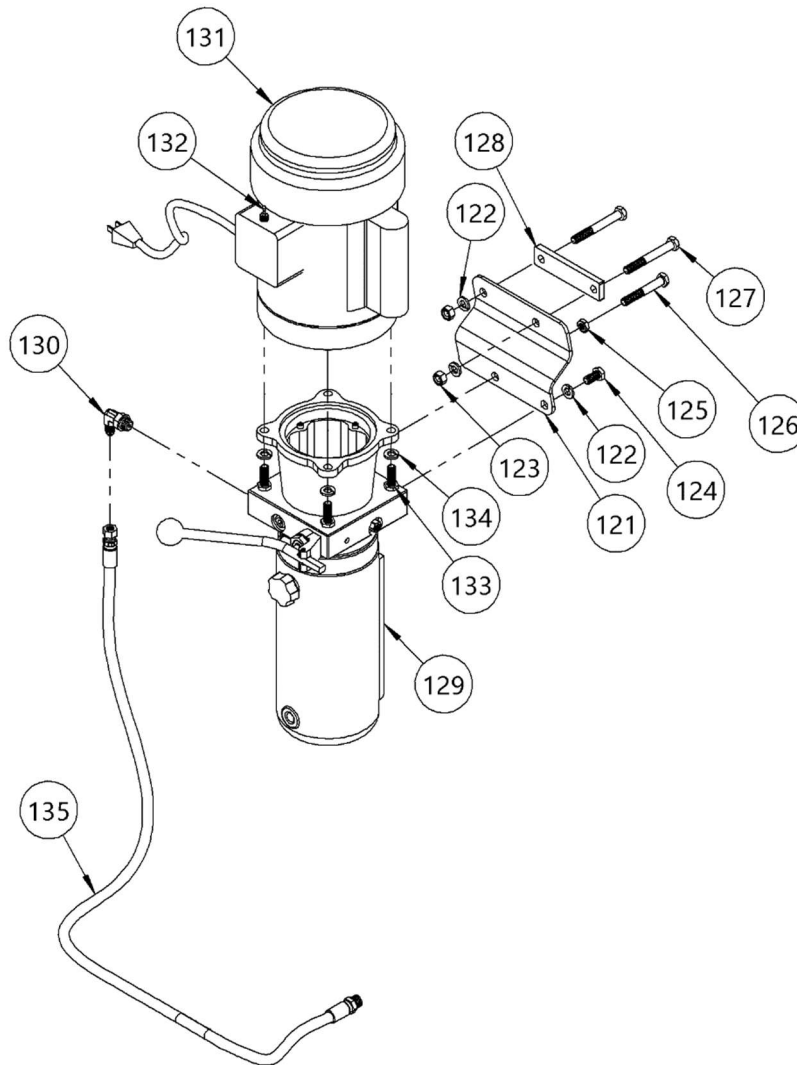


Assembly 120-60

AC Power Lift Components

SN 0217 to Current (MMYY) or 400000 to Current



ITEM	QTY.	PART NUMBER	DESCRIPTION
121	1	3643-P	MOUNT PLATE, POWER PUMP
122	3	1474-P	WASHER, 3/8 SPLIT LOCK
123	2	149-P	NUT, 3/8-16 FIN HEX
124	1	1657-P	HHCS, 3/8-16 X 3/4 GR2
125	1	1165-P	NUT, 3/8-16 JAM
126	1	155-P	HHCS, 3/8-16 X 2-1/2 GR2
127	2	1521-P	HHCS, 3/8-16 X 3 GR5
128	1	5848-P	BACK BRACKET, PUMP MOUNT, 400
129	1	M4509-P	HYD POWER PACK, -120, -124
130	1	3610-P	HYD FIT, EL, SAE 6, FLARE
131	1	1062-P	MOTOR, 1HP 1PH TEFC 56C W CORD
132	1	3633-P	SWITCH, TOGGLE, MOMENTARY, 400
133	4	1572-P	HHCS, 3/8-16 X 1 GR2 ZINC
134	4	1474-P	WASHER, 3/8 SPLIT LOCK
135	1	3688-P	HYD HOSE ASM, 36", 400 120 124