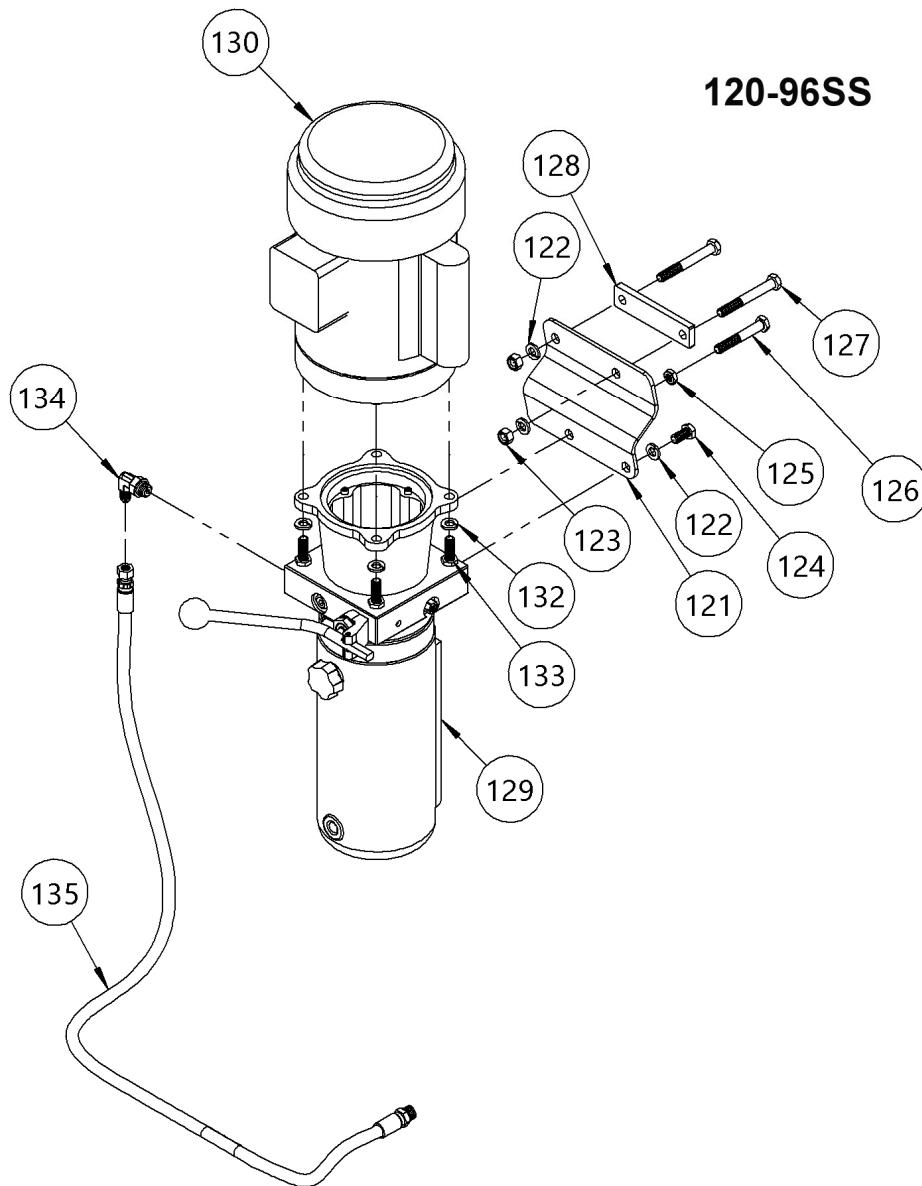


Assembly 120-96SS

Power Lift Components

SN 0217 to Current (MMYY) or 400000 to Current



ITEM	QTY.	PART NUMBER	DESCRIPTION
121	1	3643SS-P	MOUNT, POWER PUMP, SS, 400SS
122	3	1474SS-P	WASHER, 3/8 SPLIT LOCK, SS
123	2	3981SS-P	NUT, 3/8-16 NYLON LOCK, SS
124	1	1657SS-P	HHCS, 3/8-16 X 3/4 SS
125	1	1165SS-P	NUT, 3/8-16 JAM SS
126	1	1315SS-P	HHCS, 3/8-16 X 2-3/4 SS
127	2	1521SS-P	HHCS, 3/8-16 X 3, SS
128	1	5848SS-P	BACK BRACKET, PUMP MOUNT, SS
129	1	M4509-P	HYD POWER PACK, -120, -124
130	1	1062-P	MOTOR, 1HP 1PH TEFC 56C W CORD

Assembly 120-96SS

Power Lift Components

SN 0217 to Current (MMYY) or 400000 to Current

132	4	1474SS-P	WASHER, 3/8 SPLIT LOCK, SS
1323	4	535SS-P	HHCS, 3/8-16 X 1-1/4, SS
134	1	3610-P	HYD FIT, EL, SAE 6, FLARE
135	1	3689-P	HYD HOSE ASM, 31", 400, 405