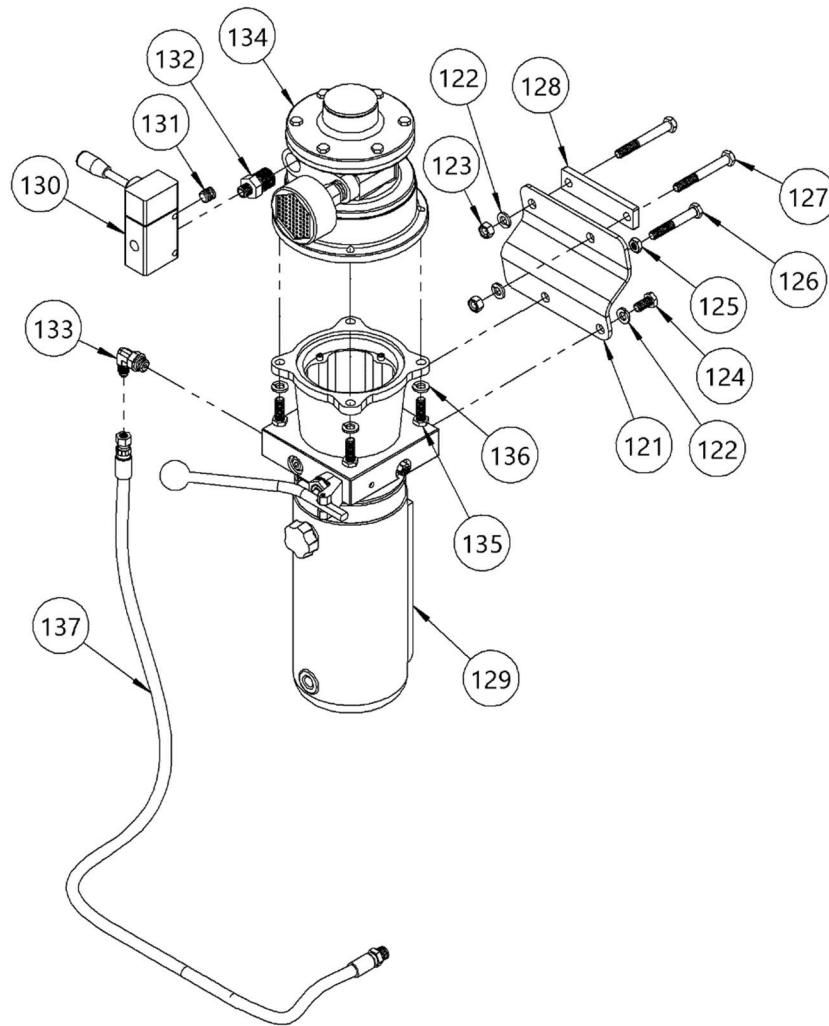


Assembly 124-60

Air Power Lift Components

SN 0217 to Current (MMYY) or 400000 to Current



| ITEM | QTY. | PART NUMBER | DESCRIPTION |
|------|------|-------------|--------------------------------|
| 121 | 1 | 3643-P | MOUNT PLATE, POWER PUMP |
| 122 | 3 | 1474-P | WASHER, 3/8 SPLIT LOCK |
| 123 | 2 | 149-P | NUT, 3/8-16 FIN HEX |
| 124 | 1 | 1657-P | HHCS, 3/8-16 X 3/4 GR2 |
| 125 | 1 | 1165-P | NUT, 3/8-16 JAM |
| 126 | 1 | 155-P | HHCS, 3/8-16 X 2-1/2 GR2 |
| 127 | 2 | 1521-P | HHCS, 3/8-16 X 3 GR5 |
| 128 | 1 | 5848-P | BACK BRACKET, PUMP MOUNT, 400 |
| 129 | 1 | M4509-P | HYD POWER PACK, -120, -124 |
| 130 | 1 | 3632-P | VALVE, AIR MOTOR, 400, 500 |
| 131 | 1 | 3634-P | HYD FIT, PIPE PLUG, 1/4 HEX |
| 132 | 1 | 332-P | HYD FIT, PIPE NIPPLE 1/2-1/4 |
| 133 | 1 | 3610-P | HYD FIT, EL, SAE 6, FLARE |
| 134 | 1 | 290-A-2P | MOTOR, 2HP, AIR, 56C |
| 135 | 4 | 1572-P | HHCS, 3/8-16 X 1 GR2 ZINC |
| 136 | 4 | 1474-P | WASHER, 3/8 SPLIT LOCK |
| 137 | 1 | 3688-P | HYD HOSE ASM, 36", 400 120 124 |